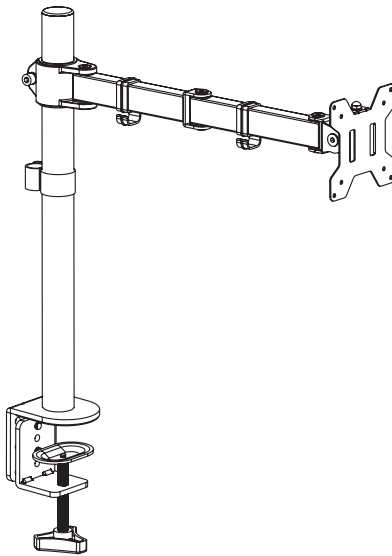




Single Monitor Desk Mount

Instruction Manual



SKU: STAND-V001



Scan the QR code with your mobile device or follow the link for helpful videos and specifications related to this product.

<https://vivo-us.com/products/stand-v001>

GET IN TOUCH | Monday-Friday from 7:00am-7:00pm CST



help@vivo-us.com



www.vivo-us.com
Chat live with an agent!



309-278-5303

WARNING!

If you do not understand these directions, or if you have any doubts about the safety of the installation, please call a qualified technician. Check carefully to make sure there are no missing or defective parts. Improper installation may cause damage or serious injury. Do not use this product for any purpose that is not explicitly specified in this manual. Do not exceed weight capacity. We cannot be liable for damage or injury caused by improper mounting, incorrect assembly or inappropriate use.

TIPOVER WARNING

SERIOUS OR FATAL CRUSHING INJURIES CAN OCCUR FROM TIPOVER. TO HELP PREVENT TIPOVER:

- NEVER ALLOW CHILDREN TO CLIMB, STAND, HANG, OR PLAY ON ANY PART OF MONITOR OR STAND.
- USE TIPOVER RESTRAINT OR ANCHOR STAND TO WALL

USE OF TIPOVER RESTRAINTS MAY ONLY REDUCE, BUT NOT ELIMINATE RISK OF TIPOVER.

WARNING: CHOKING HAZARD

SMALL PARTS - NOT FOR CHILDREN UNDER 3 YEARS. ADULT SUPERVISION IS REQUIRED.

PACKAGE CONTENTS



A (x1)
Pole



B (x1)
Clamp



C (x1)
Clamp Brace



D (x1)
Swivel Arm



E (x1)
VESA Plate



F (x3)
M5x14 Bolt



G (x2)
M8x12 Bolt



H (x1)
Nut



I (x1)
M10 Washer



J (x1)
Spring Washer



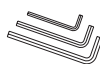
K (x1)
Grommet



L1 (x1)
Wire Clip



L2 (x2)
Wire Clip



M (x1)
Allen Key Set



N (x4)
M4x12 Thumb Bolt



O (x4)
M4x30 Bolt



P (x4)
M4 Spacer



Q1 (x1)
Soft Pad



Q2 (x1)
Grommet Pad

NOTE: SOME HARDWARE INCLUDED MAY NOT BE USED

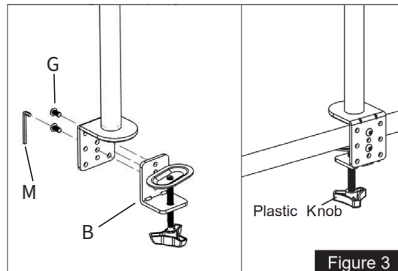
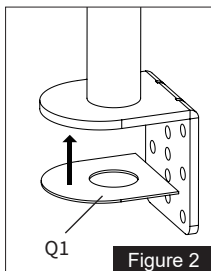
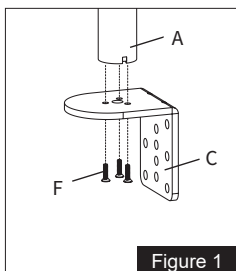


ASSEMBLY STEPS

STEP 1

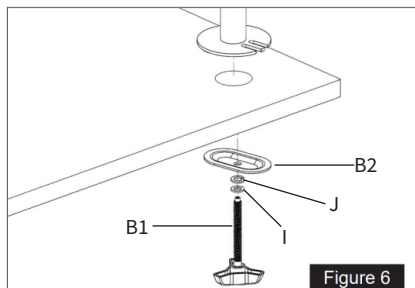
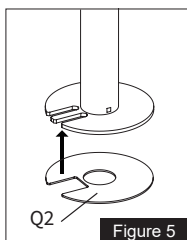
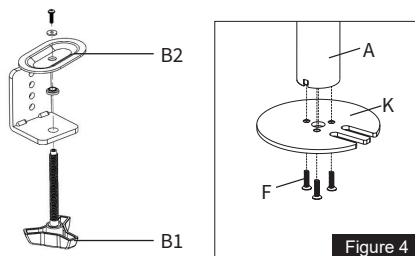
Option A: Desk Clamp Install

1. Install the clamp brace (C) to the pole (A) using x3 M5x14 bolts (F). See Figure 1.
2. Attach soft pad (Q1) to the clamp brace (C), see Figure 2.
3. Install the clamp (B) to the pole assembly according to the thickness of the desktop. The thickness can be changed to 3 positions. Connect using x2 M8x12 bolts (G) and tighten using the Allen key (M). Tighten the clamp to the desktop using the plastic knob. See Figure 3.



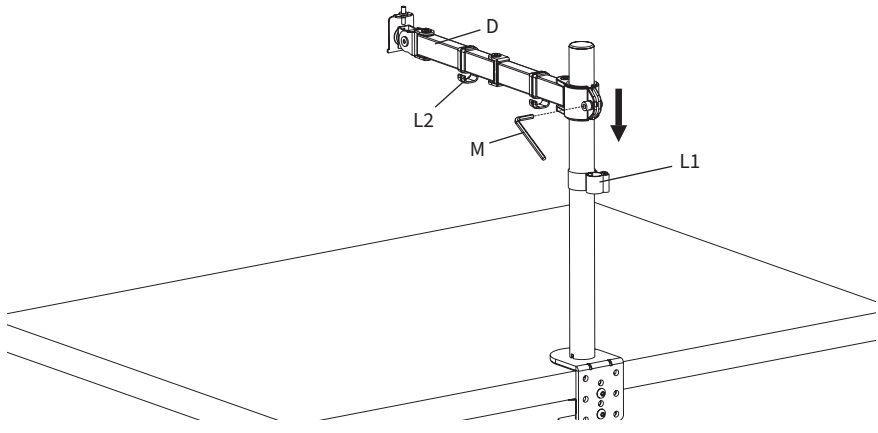
Option B: Grommet Install

1. If desk does not have an existing grommet hole, drill a 3/8" (10mm) diameter hole at the desired position through the mounting surface.
2. Completely disassemble clamp (B) into individual parts. Set knob (B1) and clamp plate (B2) aside for later use. The L bracket, bolt, washer and bushing will not be used.
3. Install grommet base plate (K) to the pole (A) using x3 M5x14 bolts (F). See Figure 4.
4. Attach soft pad (Q2) to the grommet base plate (K), see Figure 5.
5. Position pole (A) on the mounting surface and secure using the clamp plate (B2), spring washer (J), M10 washer (I) and knob (B1). See Figure 6.



STEP 2

Install swivel arm (D) to the pole (A). Fasten the bolt with supplied Allen key (M). Attach the wire clip (L1, L2) to the pole (A) and swivel arm (D).

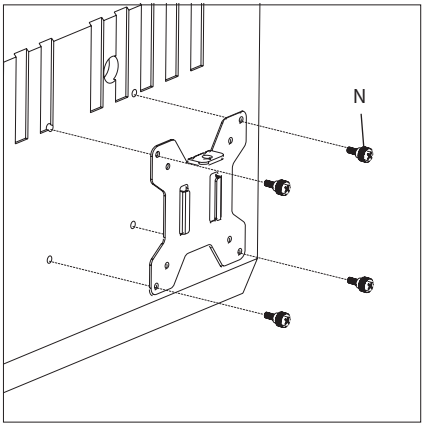


STEP 3

OPTION A: Flat Back Monitor

Attach the VESA plate (E) to the monitor with M4x12 thumb bolts (N).

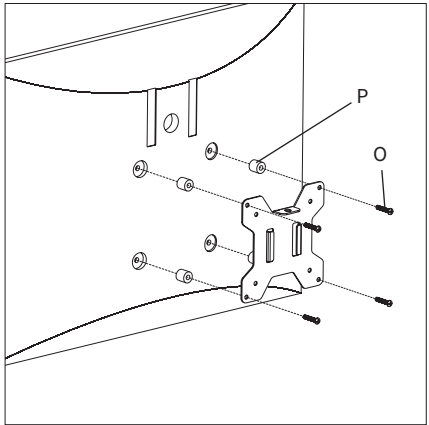
NOTE: Hand tighten screws to avoid over tightening.



OPTION B: Curved Back Monitor

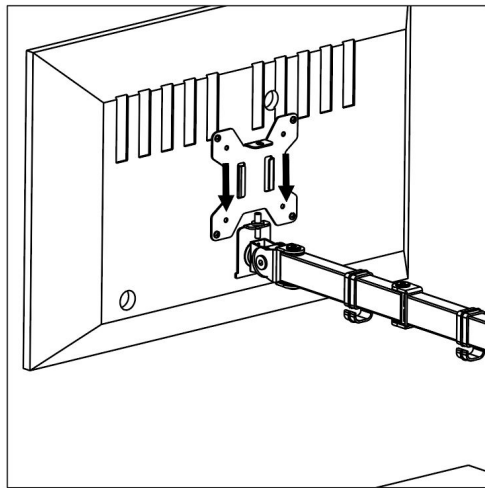
Attach the VESA plate (E) to the monitor with M4x30 bolts (O) and M4 spacers (P).

NOTE: Gently tighten using a screwdriver.

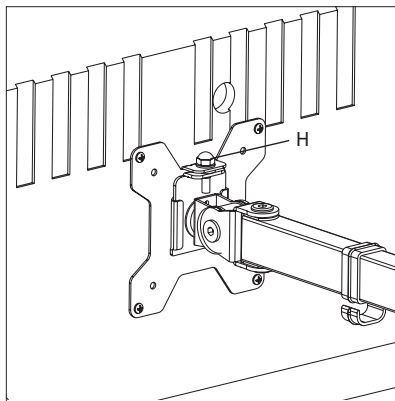


STEP 4

Slide the monitor onto the head of swivel arm (D).

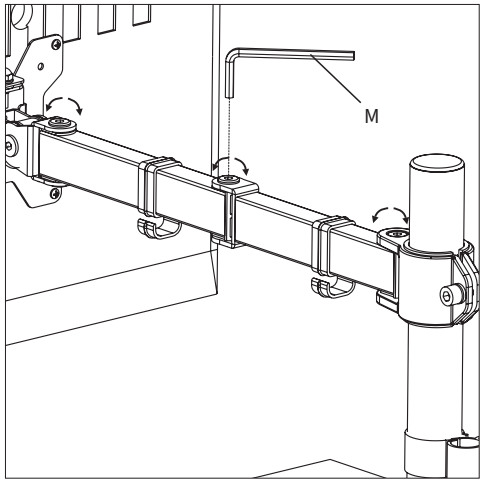
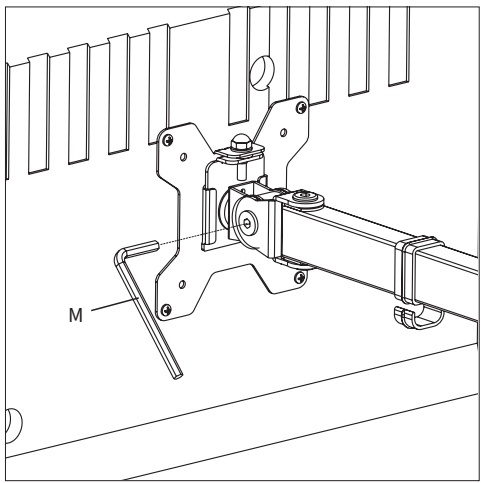


Install the security nut (H). Make sure the security nut is installed before you rotate the monitor. For minor height adjustment, use Allen key (M).



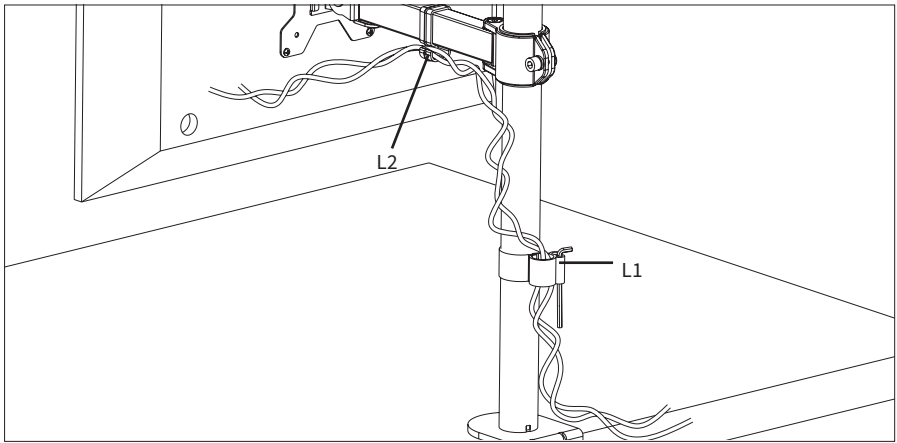
STEP 5

Tighten the bolt with the supplied Allen key (M) to fix the tilt angle and to make any necessary adjustments.



STEP 6

Manage cables and store Allen keys (**M**) in wire clip (**L1**) for future use.





Open **Monday - Friday 7:00am - 7:00pm** CST,
our dedicated support team can offer immediate assistance with rapid response times. If any parts are received damaged or defective, please contact us. We are happy to replace parts to ensure you have a fully functioning product.


 help@vivo-us.com

AVG. RESPONSE TIME (*within office hrs*): **1HR 8M**

- 23% within < 15m
- 38% within < 30m
- 61% within < 1hr
- 83% within < 2hr
- 92% within < 3hr

 www.vivo-us.com
Chat live with an agent!

AVG. RESOLUTION TIME (*within office hrs*): **< 15 M**

 309-278-5303

AVG. RESOLUTION TIME (*within office hrs*): **5M 4S**