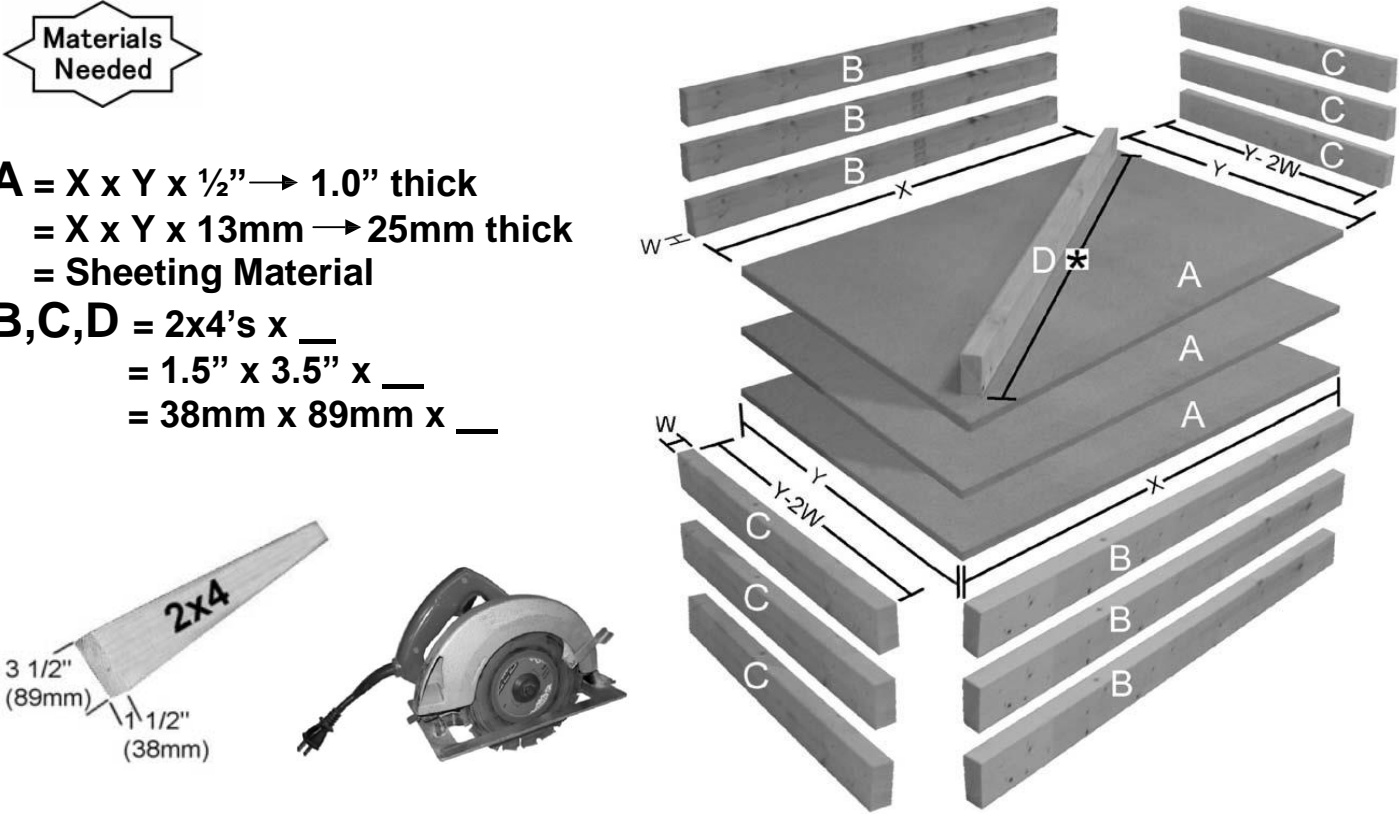


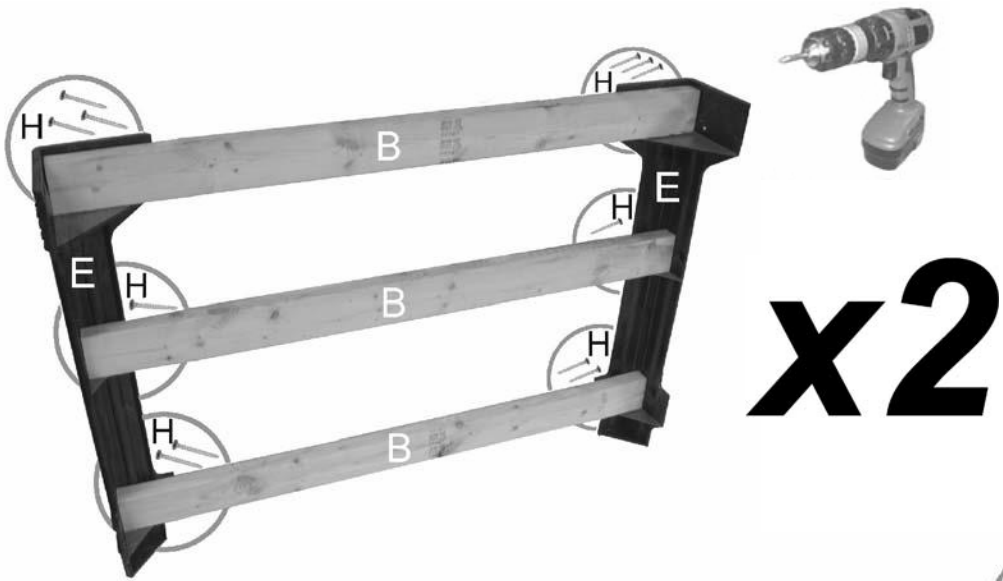
2x4 basics[®]
STORAGE SYSTEM
WORKBENCH LEGS[™]
GARAGE • BASEMENT • WORKSHOP



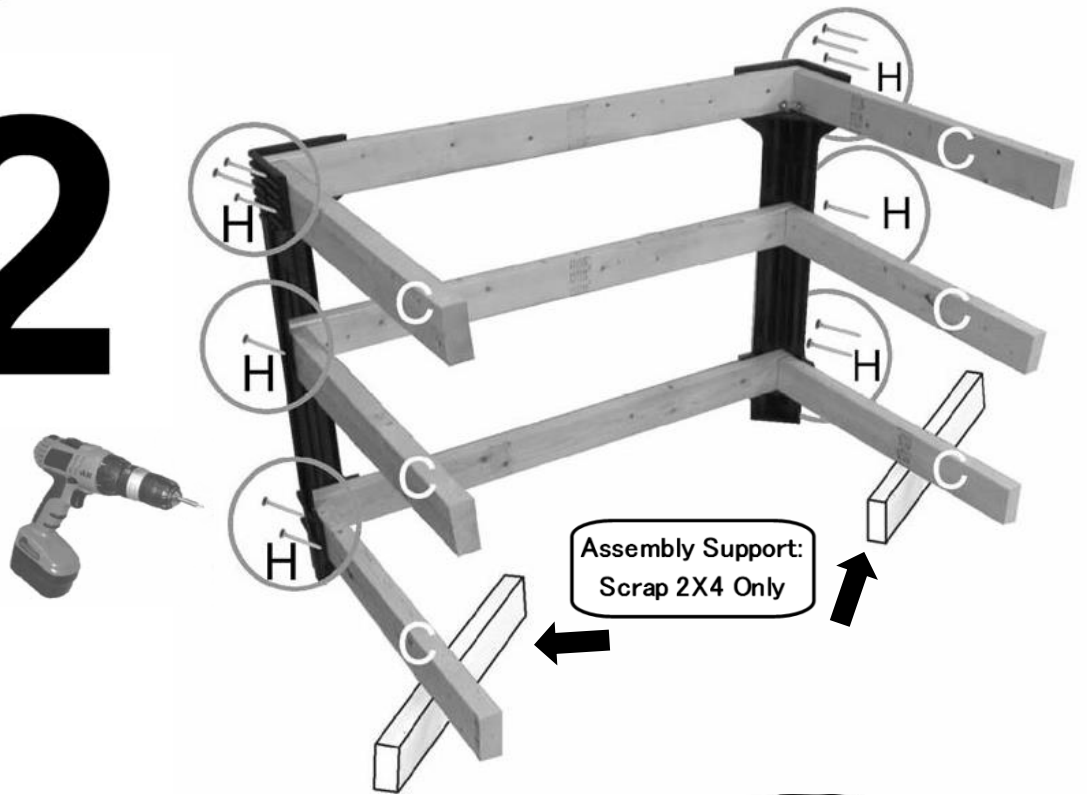
* This diagonally placed 2x4 helps support the worktop. It is best cut to fit, but the length can be calculated as:

$$(\sqrt{((\text{length} - 3'')^2 + (\text{width} - 3'')^2)}) - 1.25''$$

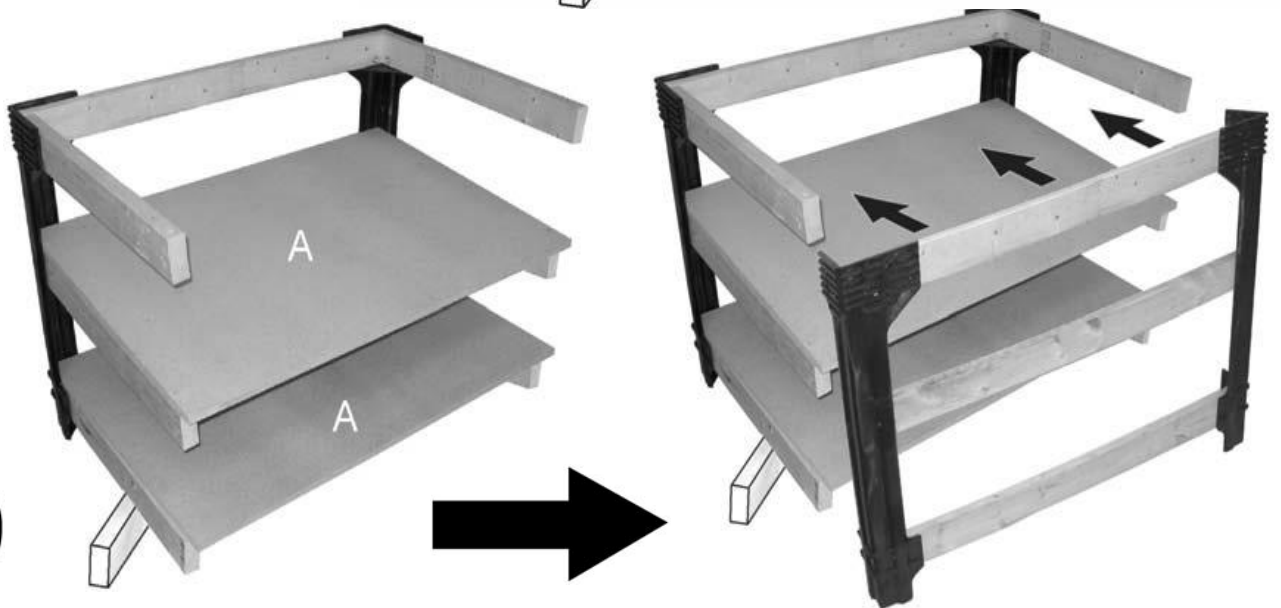
1



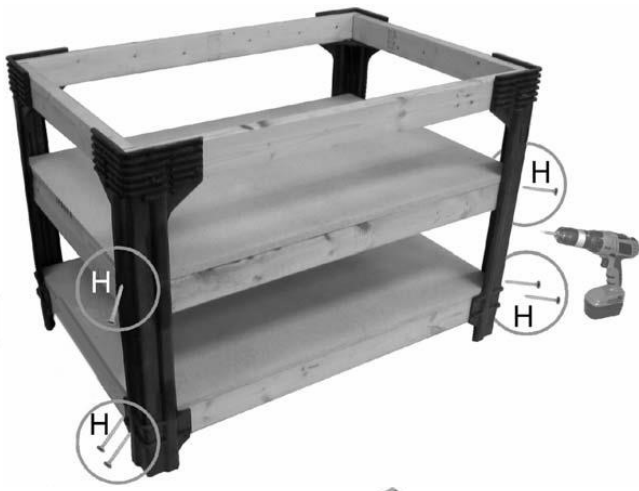
2



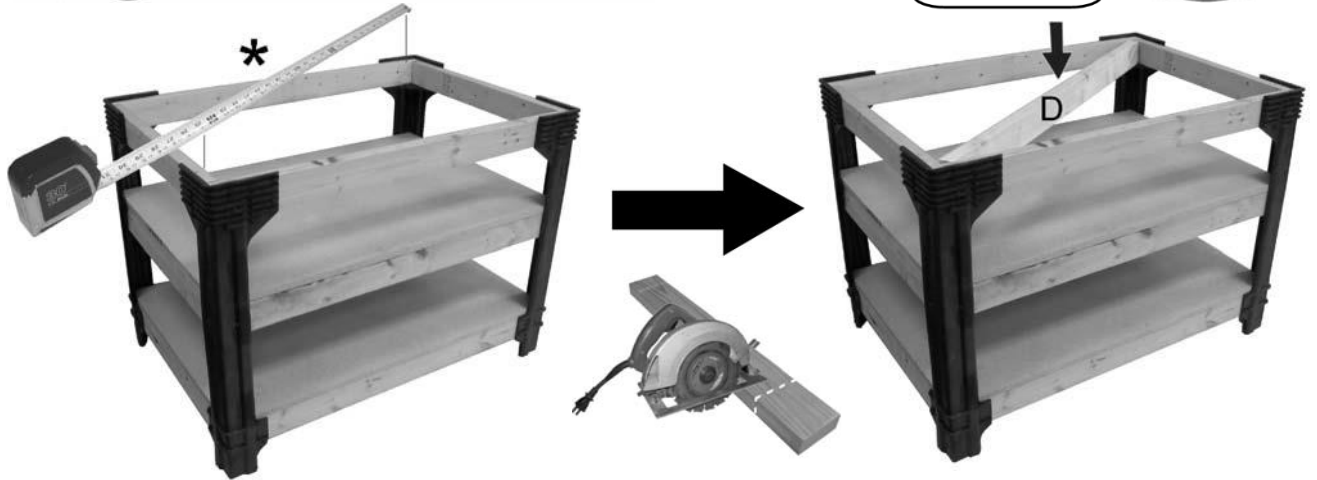
3



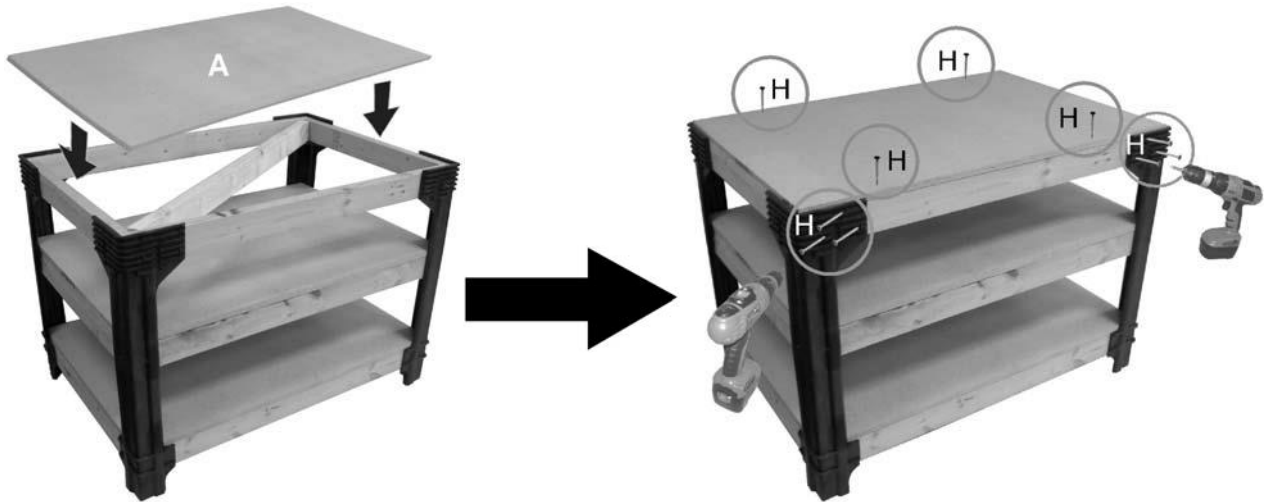
4



5



6



2-Year Limited Warranty for this 2x4basics product purchased for normal household use. Hopkins Mfg. warrants this product to the original purchaser of a Hopkins Mfg. product that it will be free from defects in material and workmanship for a period of 2 years from the date of purchase. Hopkins Mfg. will repair, replace, or refund the purchase price of the product, at the option of Hopkins Mfg., upon return of the product and the original receipt. In the US, this warranty gives you specific legal rights that may vary from state to state.

2x4basics[®]

Make it AnySize[™]

HOPKINS

428 Peyton St.
Emporia, KS 66801
800-524-1458



For more storage ideas,
visit www.2x4basics.com