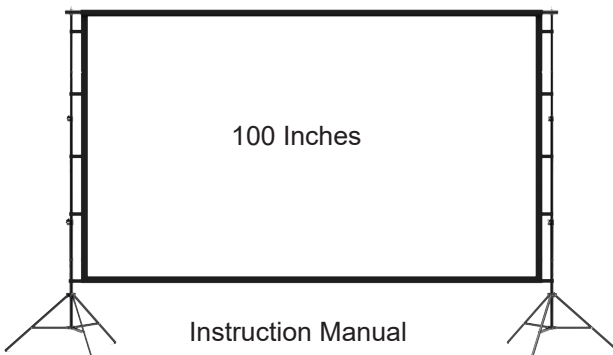


TOWOND

Outdoor Projector Screen

100 Inches

Instruction Manual



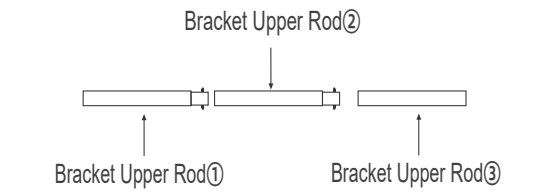
List of Accessories



- (1) Upper crossbar x3
- (2) Tripod x2
- (3) Ground Nails x6
- (4) Storage bag x1
- (5) Screen x1
- (6) Windproof rope x6

Curtain Installation Procedures

1. Check to see the attached picture: the 3 crossbars are assembled into a whole, which is used to support the upper part of the screen.

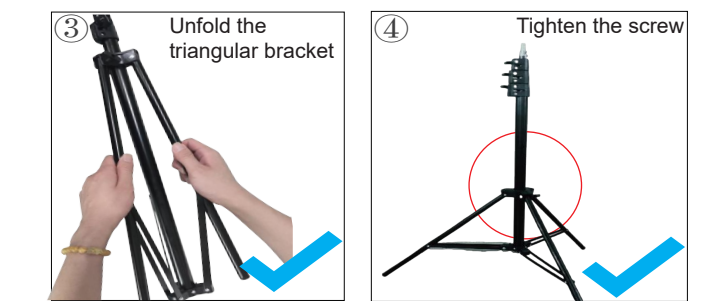
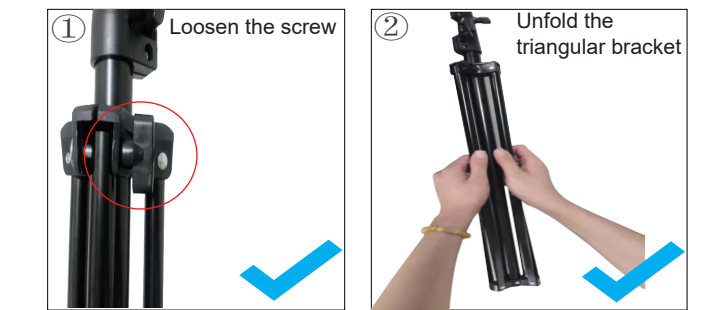


2. As shown in figure 1 :
Thread the screen onto the crossbar.

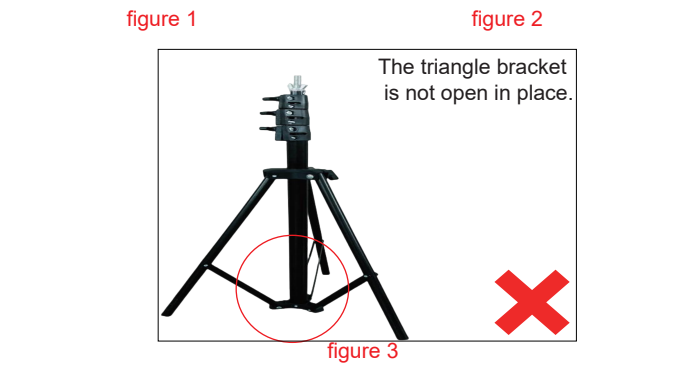
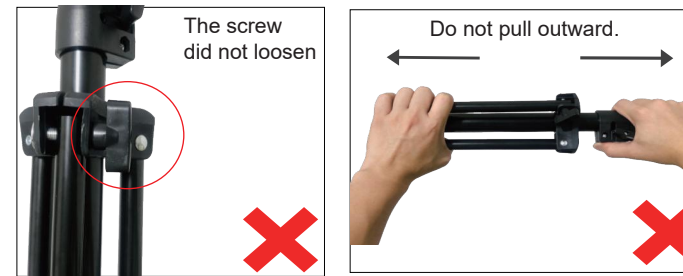


figure 1

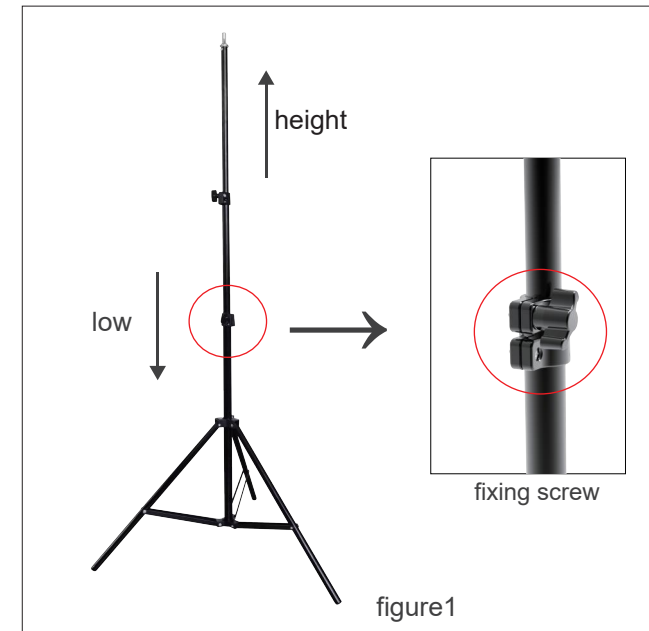
3(1). As shown in the following figure :
①Loosen the top screw of the triangle bracket as figure1.
②Unfold the triangle bracket as figure2 and figure3.
③And then tighten the triangle bracket top screw as figure4.



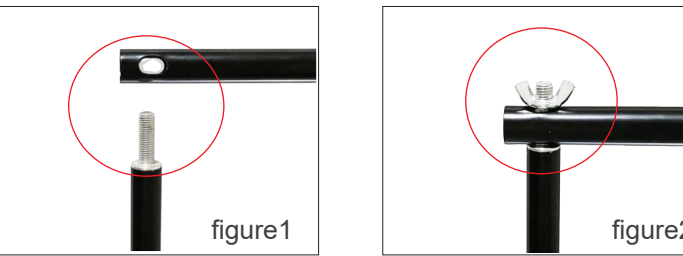
3(2)The wrong way to open the triangle bracket as figure 1, figure 2, figure 3.



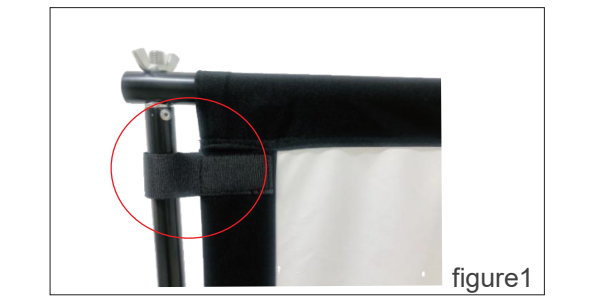
4.As shown in figure1:
Loosen the fixing screw of the triangle bracket.
Adjust the height or low degree of the triangle bracket.



5. As shown in figure 1 and figure 2:
Cross bar connect the top screws of the triangle bracket.
Then secure it with screws.



6. As shown in figure1:
The magic tape on the left and right sides of the curtain is fixed to the tripod.



7. As shown in figure 1:
Use a rope to fix it outdoors triangle bracket at the top,
and then fasten it to the soil with ground nails.

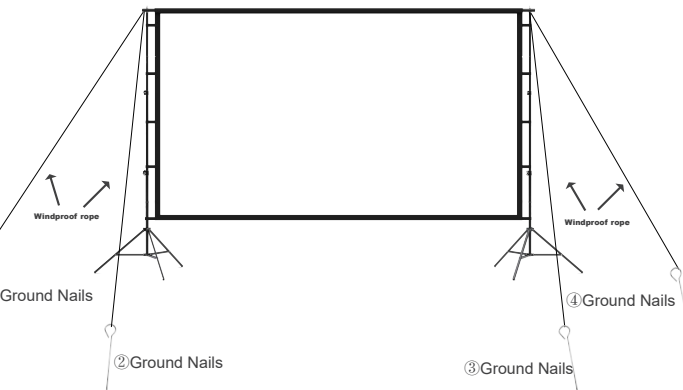


figure 1

Scan the QR code below for a video of the curtain installation



If you have any questions,
please feel free to contact our after-sales department
Mail: Towond2020@126.com