
Rabenur Pool Light Series

Color Changing Pool Light

FOR CONCRETE & GUNITE POOL

Installation Guide

IMPORTANT SAFETY INSTRUCTIONS

READ AND FOLLOW ALL

INSTRUCTIONS

SAVE THESE INSTRUCTIONS

CONTENTS

NOTE

NICHE COMPATIBLE WITH THESE POOL LIGHT SERIES: 3/4 inch PC tube

WARNING

Please be careful to install it under the guidance of an electrician.

This topic describes how to use the Rabenur APP Controller Kit.

Download the app and follow the installation guide for signal matching :

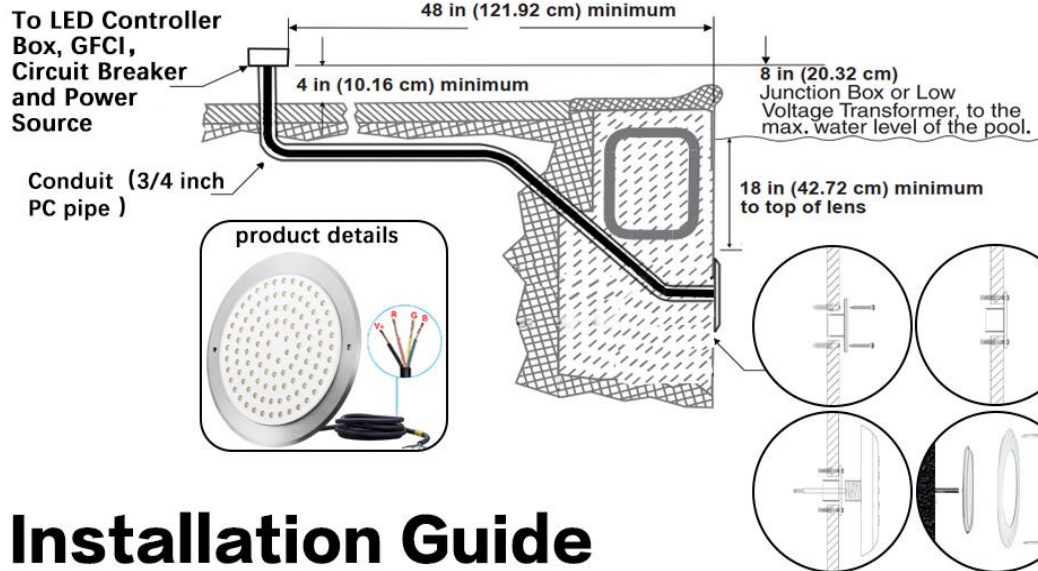
Search for Smart Life/Tuya App in Apple's App Store and other app stores.

Important Notice

This manual contains important information about the installation, operation and safe use of this product. This information should be given to the owner/operator of this equipment.

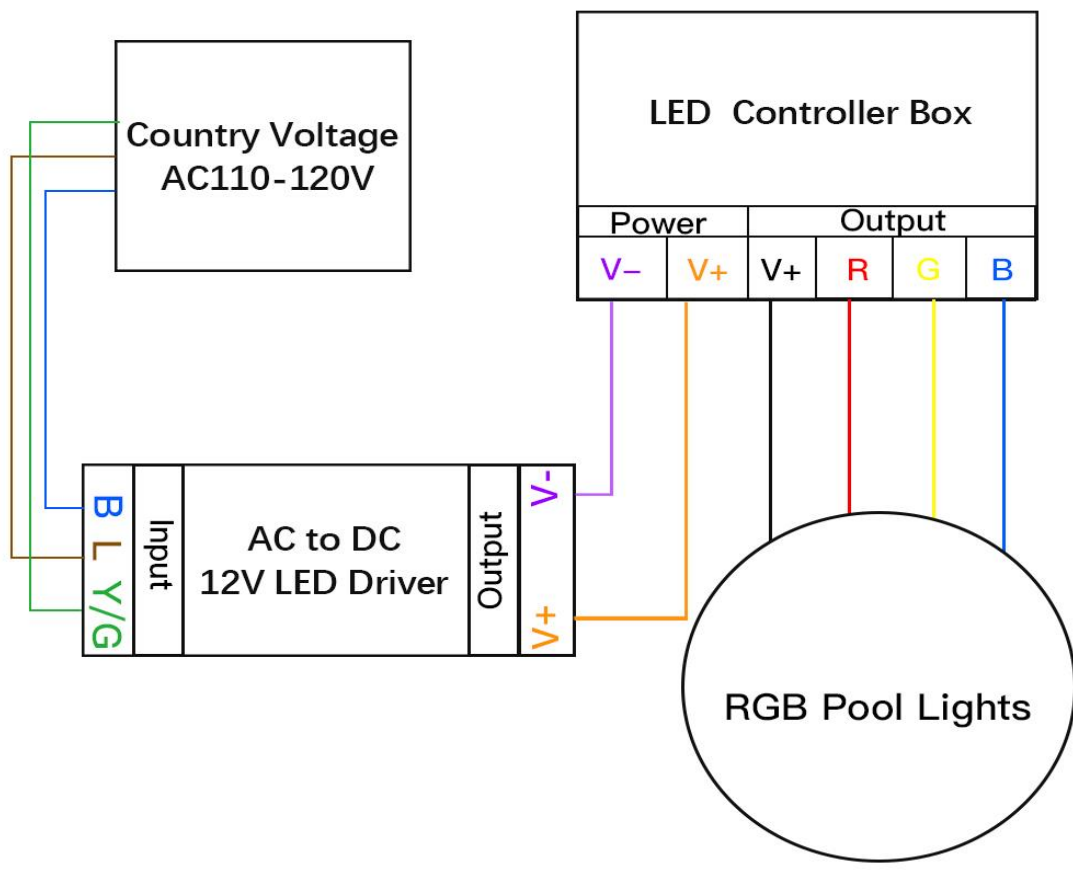
These waterproof pool lights only support 12V DC, please do not install it on AC 12 or other voltage. Using other specifications of the voltage will cause irreversible damage to the product. If you have any other questions, please feel free to contact us.

Installation Diagram

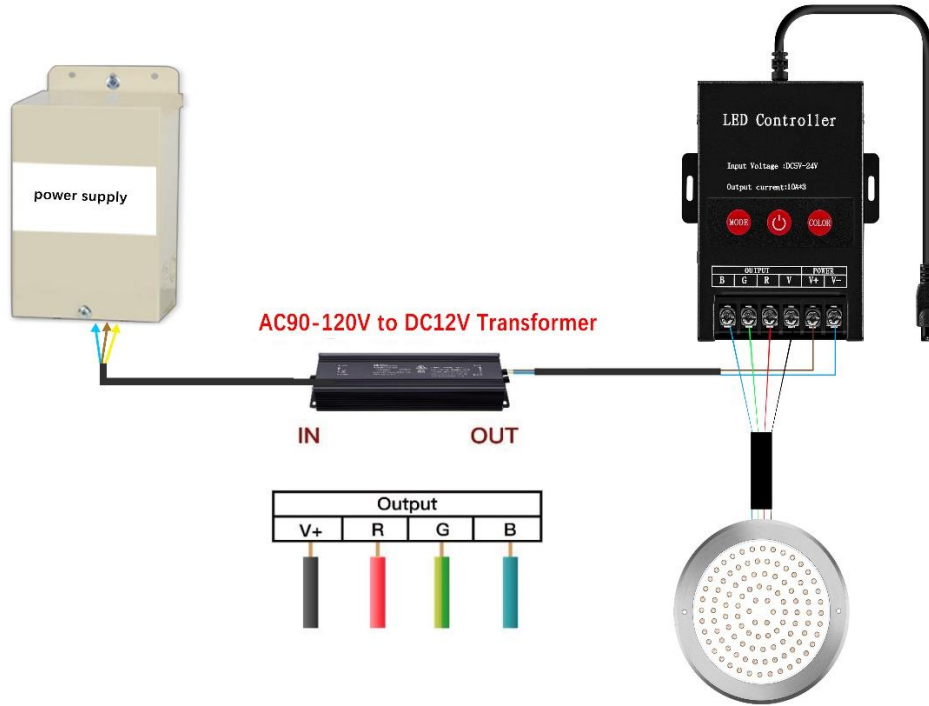


Installation Guide

Wiring diagram

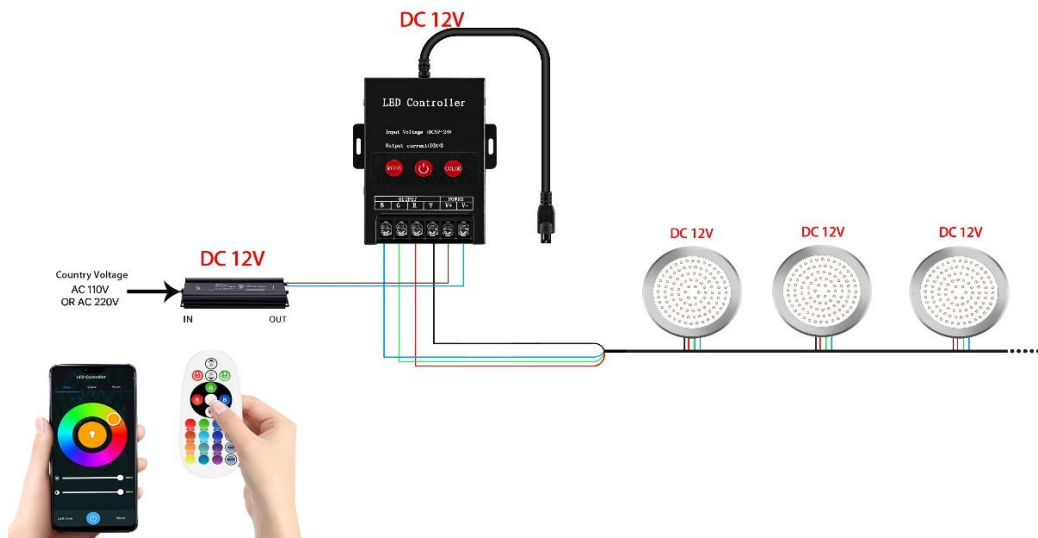


Wiring Diagram



Electric Circuit Total Power < 288

Wiring Diagram for Multiple Pool Light Fixtures
(Total Wattage of the Pool Lights in the Electric Circuit < 288 Watt)



Electric Circuit Total Power > 288



QA

Question:

How to enhance the three-color signal load of the controller in the circuit? When you plan to install multiple RGB pool lights in the circuit, and the total power of the RGB pool light fixtures exceeds the maximum power of the controller, how to build a pool light system that meets the circuit load without adding a controller?

Answer:

In this case, it is necessary to add an RGB power amplifier to the controller to increase the load capacity of the three-color (RGB) signal of the controller in the circuit.

So that'll be meeting the RGB signal load in the circuit and ensure the stable operation of the RGB pool lights under the controller device.

Notes for the APP Controller

Reference wire specifications for wiring/extension:18-20AWG ;

Do not place the Remote Control and the LED Controller box underwater ;



NOTE that this matching method is suitable for the Rabenur APP Controller device, DO NOT apply to Rabenur LED controller.

Download the app :

Search for Smart Life/Tuya App in Apple' s App Store and other app stores.

Reference wire specifications for wiring/extension:18-20AWG ;

Do not place the Remote Control and the Controller box underwater ;

NOTE that this matching method is suitable for the Rabenur APP Controller device, DO NOT apply to Rabenur LED controller.

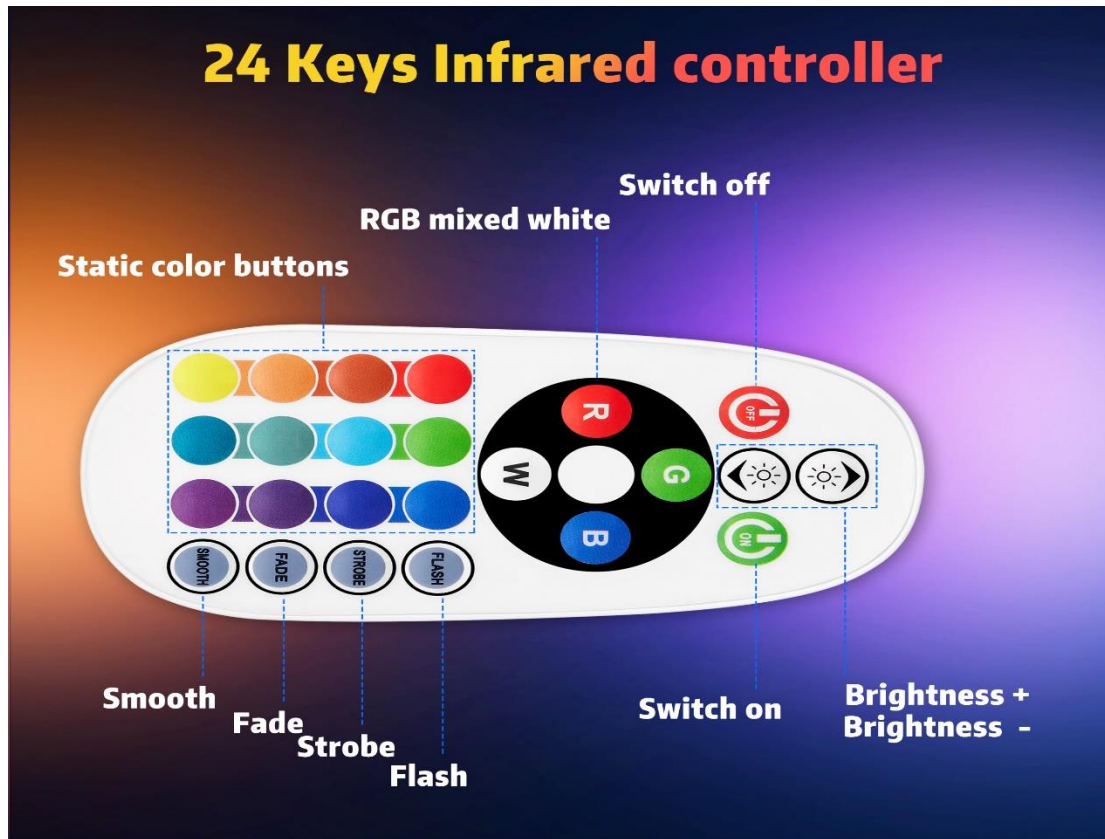


Download the app :

Search for Smart Life/Tuya App in Apple' s App Store and other app stores.

Controller Kit (Model: Rabenur APP Control)

24 Keys Infrared controller



Controller Kit



To avoid damage to the controller, do not use it in other voltage environments, and please note that this controller kit is not waterproof, do not put it under water and humid environment.

Download the app

Rabenur APP Control Kit:

Download a specific tuya app or smart life app on your phone, following the operation guide in the app, use Bluetooth + WIFI dual-mode to match with the pool lights (Only for 2.4GHz WiFi),

After successful matching, you can send remote commands to the pool light via a cell phone app to change the pool light's lighting color or lighting mode. Compared with the traditional remote control, this model pool light controller has a more stable signal and more intelligent functions.



APP function

APP Smart Control

Adjust Brightness

Remote Control

Dynamic mode selection

Timer Setting

Music Mode

Voice Mode

Intelligent APP Control For Eurus Home Pool Light

Power Memory

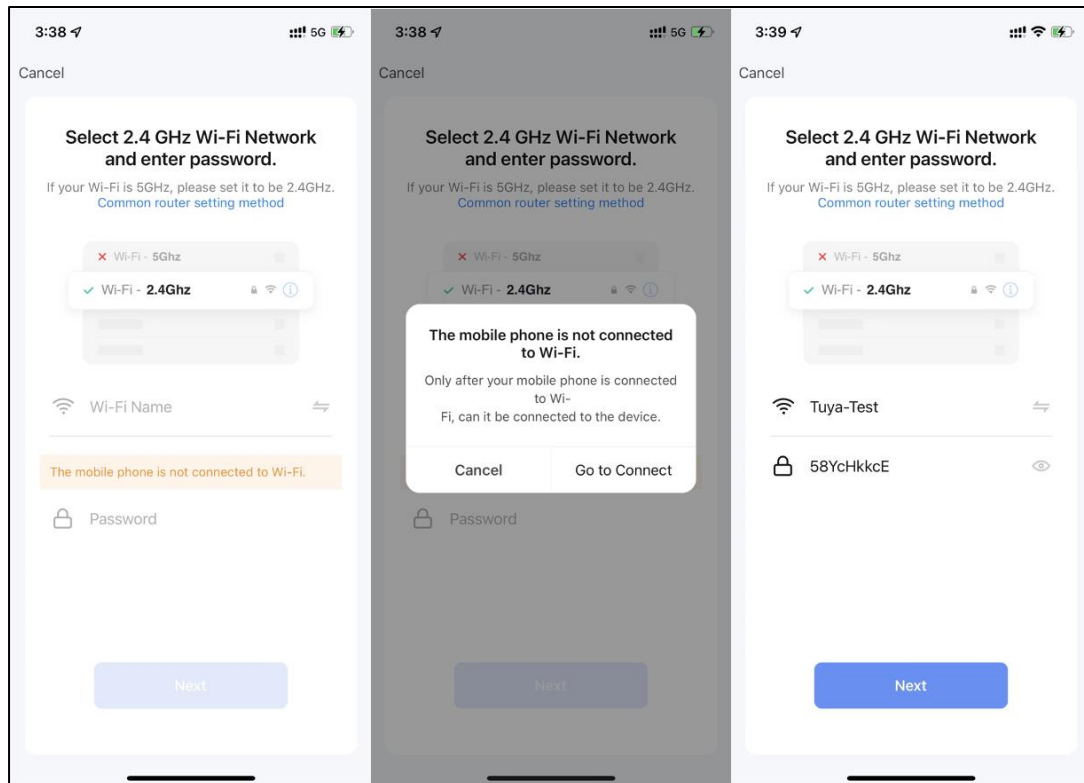
Dynamic Mode Option

Multi-Color Option

Voice Control

DIY Mode Combination

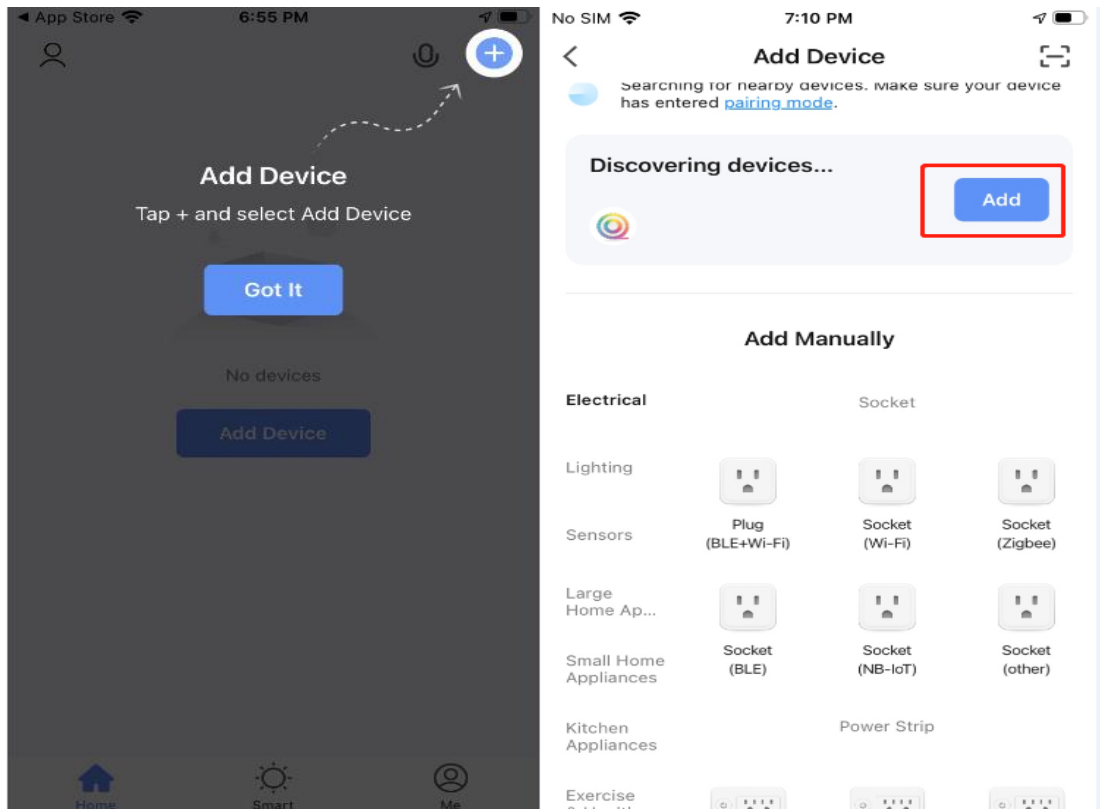
Manually add Bluetooth devices or devices over Wi-Fi and Bluetooth LE combination



WARNING

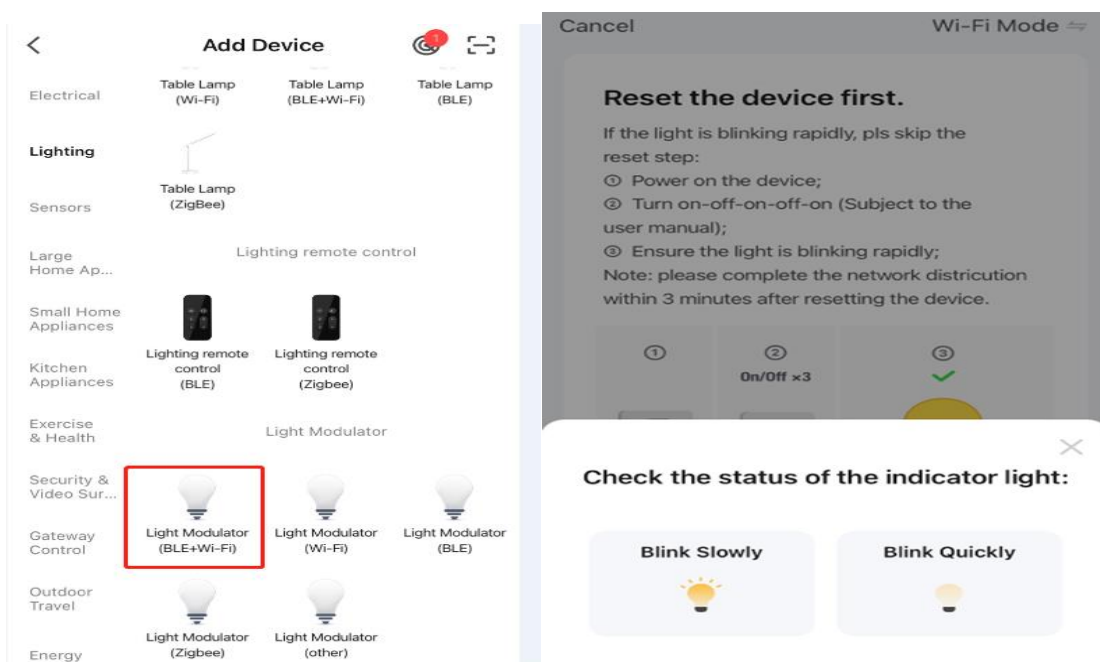
1. For Bluetooth devices or devices over Wi-Fi and Bluetooth Low Energy (LE) combo, power on the controller device first. Then, enable Bluetooth on the mobile phone and open the smart life/tuya app. The devices that are ready for pairing will be displayed on the app.

2. Select the device to be added. On the Wi-Fi setting page, enter the password for connecting to the 2.4 GHz Wi-Fi network. Wait for the device to automatically complete matching.



3.If it cannot be automatically matched, please select the Light Modulator (BLE+Wi-Fi) option on the app page, as shown in the attached add device

screenshot. 



User's Guidance

1. Register

Click "Sign Up" and enter the registration page.

2. Add Devices

Click "Add Devices" or "+" in the top right corner to enter add device page. There are two ways of adding devices: "Add Manually" and "AutoScan." (If you use "AutoScan," you need to allow the APP to use Wi-Fi and Bluetooth)

3. Add Manually- Wi-Fi Devices-Connect to Wi-Fi

Firstly, you will turn to the page where you need to enter your Wi-Fi password. (Only 2.4G Wi-Fi can be supported.)

On the "Add device page" choose the Light Modulator (BLE+Wi-Fi) Mode.

4. Match the app controller signal by turning off/on the main power three times; the main power switch needs to perform the following operations until the pool light flashing: Turn on-off-on-off-on.

-Confirm that the RGB Pool light is flashing quickly by the Smart Life /Tuya app.

-Click to confirm that the pool lights are flashing, and click to continue to the next step

-Add the remote control according to the matching result.

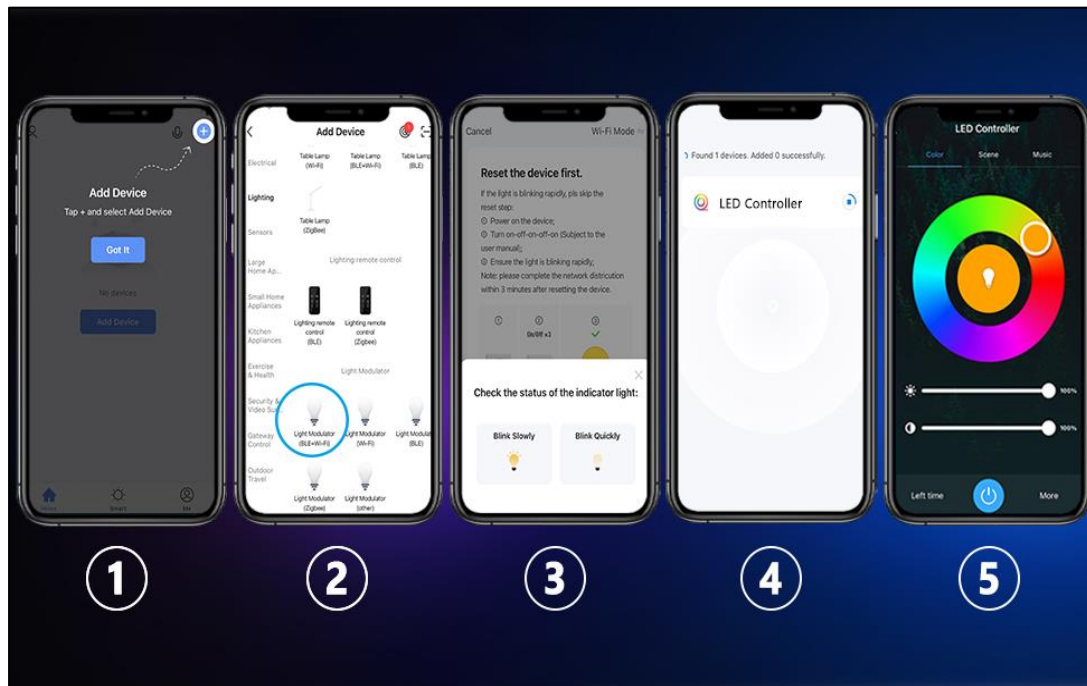
5. If it shows that the connection failed, please try to match again, and If the matching fails after repeated attempts, you need to change the app to perform the matching operation.

6.The app that supports this controller kit:

Smart Life app,Tuya app

7. Click"Next" and name and save the matched remote control devices when added successfully.

8. In the Wi-Fi signal coverage area, open the controller dashboard on the app for pool lights color-change operation.



Important Notice

1.24 Keys Controller for Pool Light:

After wiring the pool light and controller box correctly and matching correctly, you can change the lighting color and lighting mode of the pool light freely with the app controller; the prerequisite for using APP is to complete the correct wiring of the control box, and be in the same wireless network coverage range as the mobile phone, in order to control the swimming pool light remotely.

2.APP controller:

After wiring the pool light and controller box correctly and matching correctly, you can change the lighting color and lighting mode of the pool light freely with the app controller; the prerequisite for using APP is to complete the correct wiring of the control box, and be in the same wireless network coverage range as the mobile phone, in order to control the swimming pool light remotely.

3. Warranty:

Rabenur Pool Light Series provides a two-year free warranty,
If you have any questions, feel free to write to us,
We will respond within 24 hours.