

# WINTER POOL COVER INSTALLATION GUIDE

Proper installation will ensure long use and trouble-free performance of your winter swimming pool cover. Read all instructions carefully before installation

## FOR ABOVE GROUND POOLS

1. Properly prepare your pool for closing days before installing the pool cover. This would include testing and cleaning the water, adding the winter chemicals, plugging up the return lines, blocking the skimmer with a cover plate (optional), and finally winterizing the filter and pump. Remove any ladders or any other equipment you have in the pool.
  2. If you choose to install a skimmer-cover-plate the water may be kept at a normal level for closing, otherwise lower your pool water to slightly below the skimmer. If using an ice equalizer pillow (recommended) blow up the air pillow  $\frac{1}{2}$  to  $\frac{3}{4}$  full and secure it so that it stays in the middle.
  3. Before placing the winter pool cover on the pool remove or pad all exposed sharp edges that could tear or otherwise damage your pool cover. This could be done with cloth tape, masking tape or foam rubber. Check top rail caps as they can be sharp, deck, fence or any other areas that may have contact with your cover.
  4. Place the cover over your pool so it rests directly on the water's surface and the excess material hangs evenly over the sides of the pool. (Figure 1) If you choose to use an ice equalizer pillow (sold separately) the cover should be draped over the pillow then rest on the water's surface. (Figure 2)
- Note: If you have a walk around deck it is recommended to use water tubes (sold separately) on the deck surface. For partial decks use a combination of water tubes and cover clips (sold separately).
5. Lace the vinyl coated cable (included) through the grommets around the entire pool. (Figure 3) To lock the cable, insert one end through opening A and the other through opening B of the winch/ratchet (included). Bring both ends through the opening in the tension drum from opposite directions. (Figure 4) Pull ends through until the cable appears reasonably taut around the pool.
  6. To ensure the cover is securely fixed for the winter and that the cable does not slip, turn the tension handle clockwise until the cable is tight. The ratchet lock will maintain the tension on the cable. It is important that the cover be installed properly and snugly so that the wind will not get under it, causing it to billow or flap, damaging the cover.
  7. To loosen cable tension, simply turn the tension handle clockwise slightly, then hold the ratchet lock out of its position and allow the tension drum to unwind counterclockwise releasing cable tension.

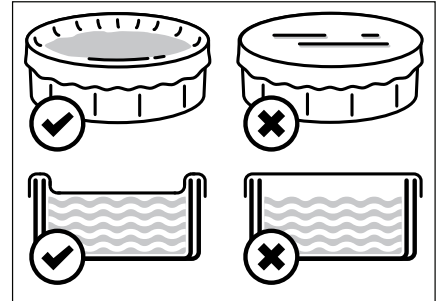


figure 1

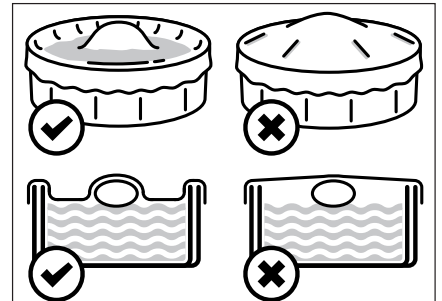


figure 2

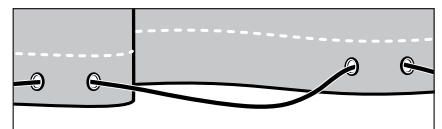


figure 3

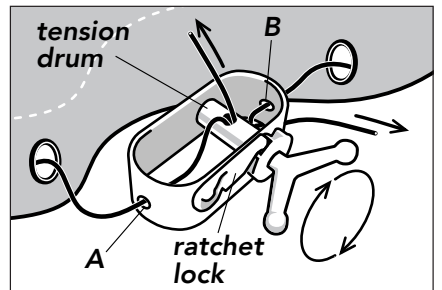


figure 4

## FOR ABOVE GROUND & IN-GROUND POOLS

**IMPORTANT:** During the winter months we suggest that you check the tension of the cable (above ground) and remove any excess water from the top of a solid material pool cover. It is not necessary to remove water from a mesh pool cover as the material is an open weave design that allows the water to drain into the pool below the cover. If ice forms on any cover material do not tamper with ice or attempt to remove it. Leave the ice until it melts. Before removing a solid material cover be sure to siphon off all excess water resting on the pool cover.

**STORAGE:** Your winter cover should be clean and dry before storing. Store in a cool dry area to ensure its protective use for years to come.

**NOTE:** While we make suggestions for proper preparation necessary in closing your above ground or in-ground pool, always refer to your pool manufacturer's closing instructions or consult your pool professional for advice.

## FOR IN-GROUND POOLS

1. Properly prepare your pool for closing days before installing the pool cover. Test and clean the water so the pool is properly balanced before adding any winter chemicals or a winter chemical kit. Remove diving boards, ladders, hand rails and any other equipment you may have in and around the pool. Back wash and clean your filter and pump and store away.
2. If you choose to blow out the water from your lines, be sure to plug up the hole in the bottom of the skimmer with a Gizzmo (sold separately) and properly plug all fittings. In this case the water level need only be drained 4 inches below the tile for closing.
3. If you choose not to blow out the lines make sure that all equipment is completely drained and that all return and cleaner lines are plugged. It is necessary to add swimming pool antifreeze (sold separately) into your plumbing lines to prevent the pipes from cracking during the winter. In this case the water level of your pool should be drained slightly below the bottom of the skimmer. Do not drain the pool water more than 18 inches below the coping.
4. Place the cover over your pool so that it rests on the water surface and the excess material hangs evenly over the deck.
5. Insert empty water tubes (sold separately) into attached cover loops making sure the water tubes cover the entire perimeter end to end, with little to no space in between. (Figure 5) This will prevent wind from getting under the cover and causing the cover to billow or flap. CAUTION: Such billowing or flapping in the wind may cause considerable damage to your cover.
6. Fill each water tube with water  $\frac{1}{2}$  full to allow for expansion when they freeze. **IMPORTANT:** It is recommended to secure the cover to the pool decking with water tubes or water blocs. Anything else will void your warranty.

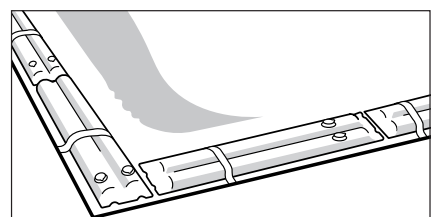


figure 5

---

**WARNING: WINTER COVERS ARE NOT SAFETY COVERS. TO AVOID RISK OF DROWNING, KEEP ALL PERSONS AND ANIMALS OFF COVER.**

---

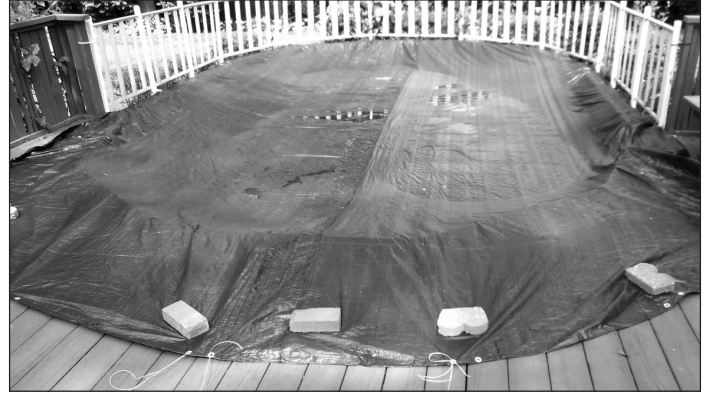
## IMPROPER INSTALLATION

---

Proper installation will ensure long use and trouble-free performance of your winter swimming pool cover. However, the majority of warranty claim denials come from customers who improperly install their pool covers. Be sure to read the installation guide provided and if you are still unsure of your installation please contact your pool professional.

---

### THESE ACTIONS WILL VOID YOUR WARRANTY



#### DO NOT

secure or tie off with ropes or bungee cords  
stake cover down at grommets  
use water bag loops as ties or stake them down

---



#### DO NOT

pull cover taut across the pool  
hang blocks, buckets or weights of any type  
cover a pool that has no water or may have a leak

---



#### DO NOT

weigh down cover with weights, cement blocks or concrete  
leave ladders, steps or obstructions in the pool  
put up supports to hold cover away from the water

---