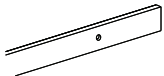

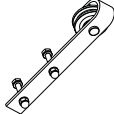


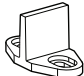
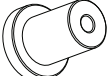



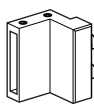
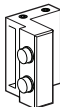



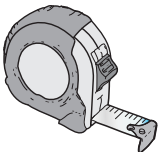

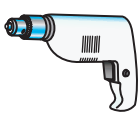


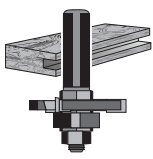

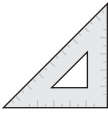
Kindly Reminder: please refer to the diagram on amazon or ebay if your door width is 36" while opening is 34"

BARN DOOR HARDWARE KIT
TSQ04BK-B-2
 INSTALLATION GUIDE

Main Components

<p>x1 Rail</p> 	<p>x2 Anti-jump Block</p> 	<p>x2 Bent roller</p> 	<p>x2 (4.2mm x 25mm) 3/16" x 1" Floor Screws</p> 	<p>x2 1/4(6mm) Floor Anchor</p> 	<p>x1 Internal Floor -Mounted Door Guide</p> 	<p>x5 Wall Spacer</p> 
<p>x5 (10mm x 30mm) 3/8" x 1 3/16" Wall Anchors</p> <p>(Pre-mounted to Hex Bolts)</p> 	<p>x5 (8mm x 60mm) 5/16" x 2 3/8" Hex Bolts</p> 	<p>x5 (8mm x 90mm) 5/16" x 3 9/16" Wall Screw</p> 	<p>x1 Right Stopper</p> 	<p>x1 Left Stopper</p> 	<p>Allen Key</p> 	

Tools Required

<p>Tape Measure</p> 	<p>Pencil</p> 	<p>Cordless Drill</p> 	<p>Phillips Screwdriver</p> 	<p>Wrench</p> 	<p>1/4" Mortise Router Head</p> <p>Required for Floor-Mounted Door Guide Installation</p> 	<p>Level</p> 
<p>Speed Square</p> 						

IMPORTANT: BEFORE YOU BEGIN

IF INSTALLING DIRECTLY INTO A NON-CONCRETE WALL, DO NOT ATTEMPT TO INSTALL THE RAIL SOLELY TO THE DRYWALL OR ANY WALL SURFACE AS THIS MAY NOT SUPPORT THE WEIGHT OF THE RAIL AND MOUNTED DOOR. THE RAIL MUST BE INSTALLED ONTO A PIECE OF SOLID WOOD BLOCKING (SOLD SEPARATELY) USING MOUNTING SCREWS (ALSO SOLD SEPARATELY). ENSURE THE SOLID WOOD BLOCKING IS SECURED INTO THE STRUCTURAL SURFACE. USE A STUD FINDER WHERE NECESSARY TO LOCATE STUDS AND SECURE SAFELY. TYPICAL SOLID WOOD BLOCKING SHOULD BE 81" x 5 1/2" x 7/8" .

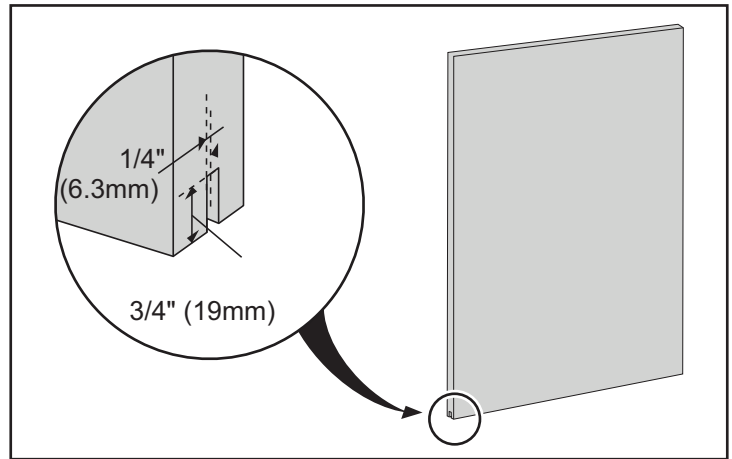
NOTE, SEPARATE BOLTS ARE PROVIDED FOR 1 3/8" DOORS AND LONGER BOLTS PROVIDED FOR 1 3/4" DOORS. IF INSTALLING WITH THE INTERNAL FLOOR-MOUNTED DOOR GUIDE, THE DOOR MUST BE MORTISED 1/4" WIDE X 3/4" DEEP CENTRALLY.

BARN DOOR HARDWARE KIT TSQ04BK-B-2 INSTALLATION GUIDE

Step 1. Door Preparation

Mortise 1/4" wide x 3/4" deep groove centrally to the bottom of the door for use with the floor-mounted door guide. This will ensure smoothness of door travel side-to-side and will prevent the door from swinging in and out.

If you prefer, you can also have your door mortised at the store you have purchased your door (typically, for an additional charge). See your store for details.



Step 2. Door Preparation – Roller Installation

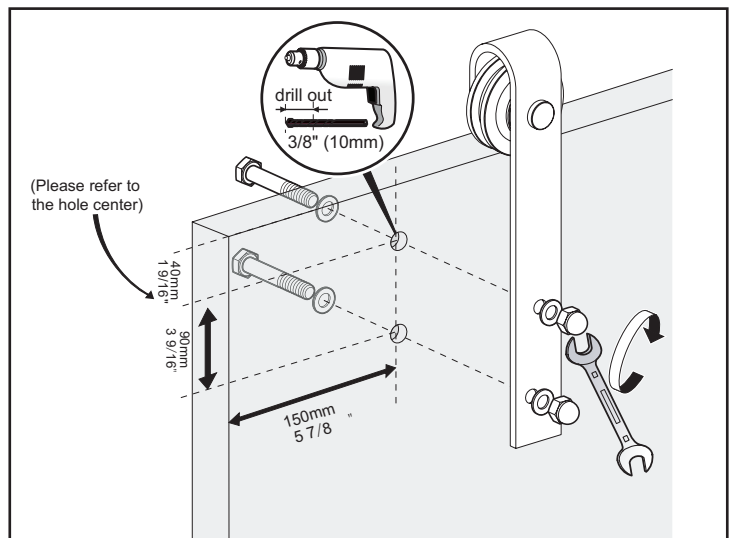
Position each roller to the front of the door at horizontal 5 7/8" from the edge of the door to the roller center.

Please refer to the hole center at vertical

Mark the holes with a pencil, pre-drill 3/8" holes, insert hex bolts and washers, secure the roller in place with a wrench. Repeat for second roller.

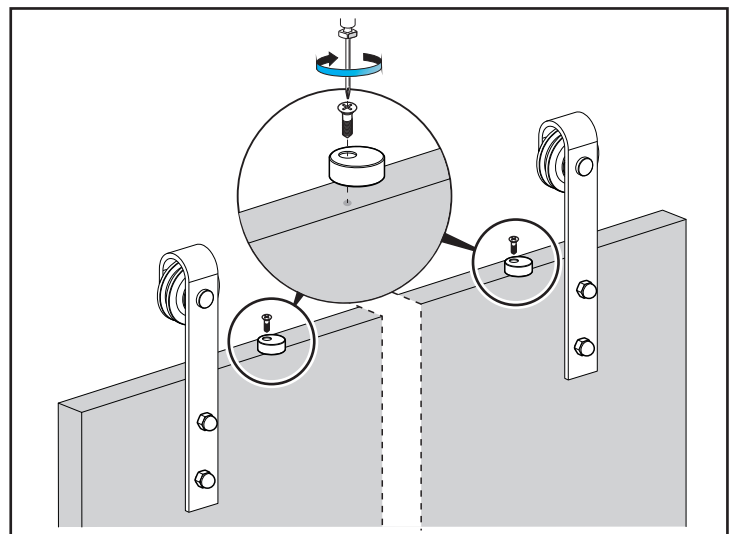
IMPORTANT: For 1 3/8" Doors, please use the shorter standard bolts provided.

For 1 3/4" Doors, please use the longer additional bolts provided.



Step 3. Door Preparation - Anti-jump block Installation

Position each anti-jump block at least 1" from the edge of the Rollers. Tighten slightly to secure in place.



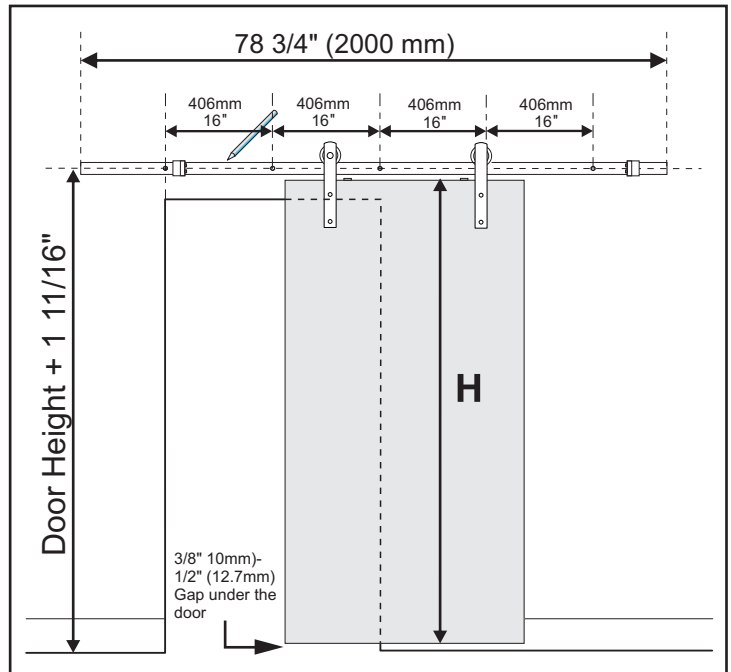
BARN DOOR HARDWARE KIT TSQ04BK-B-2 INSTALLATION GUIDE

Step 4. CONCRETE Wall Preparation1

IF INSTALLING INTO DRYWALL – PLEASE PROCEED TO STEP 7.

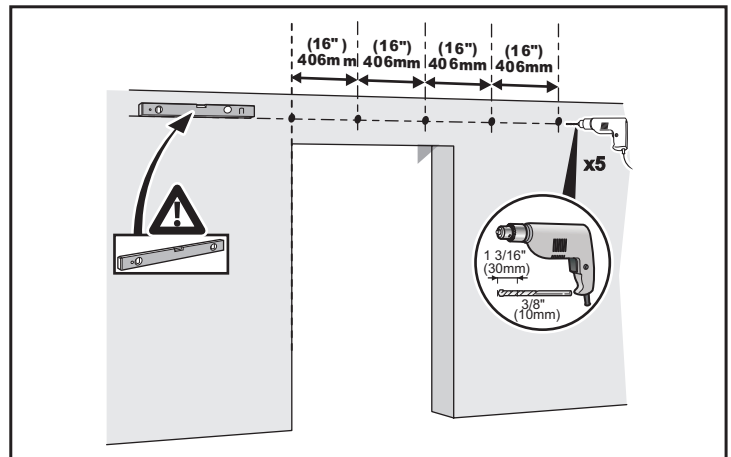
Position the rail by measuring up from the door height (H) + 1 11/16" to the centre of the track. Also ensure a gap of 3/8" - 1/2" at the bottom. Ensure the rail is level and leave a minimum of 2" from the end of the rail to the side of the opening (as shown).

If installing with an opening for 80" standard door size, remove the top trim and cut the side trim horizontally along the height of the opening.



Step 5. CONCRETE Wall Preparation2

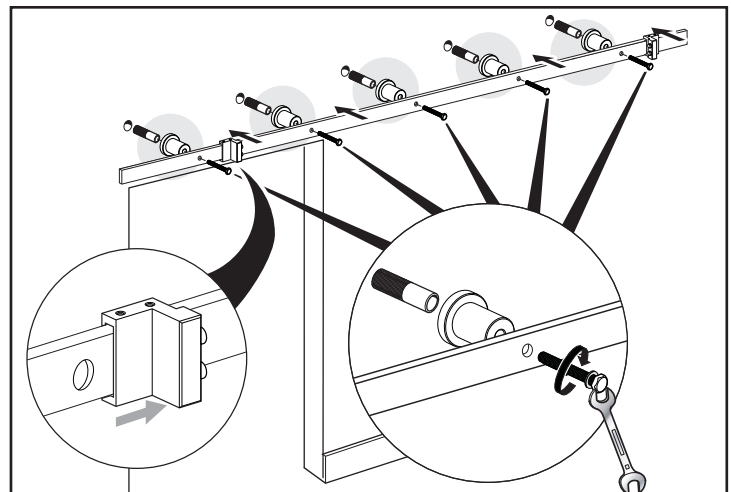
Position the rail in place ensuring that it is level, mark the holes on the rail using a pencil and pre-drill 3/8" holes into the concrete.



Step 6. CONCRETE Rail Installation

When installing directly into concrete, align the spacers to holes, insert using the provided anchors and hex bolts (with washers). Ensure to un-screw to separate the hex bolt and anchor to install correctly, securing with a wrench.

*NOTE - The stops are usually placed on each end of the track. However, they can be placed anywhere along the track if you are trying to stop the door at a different location than the tracks end.



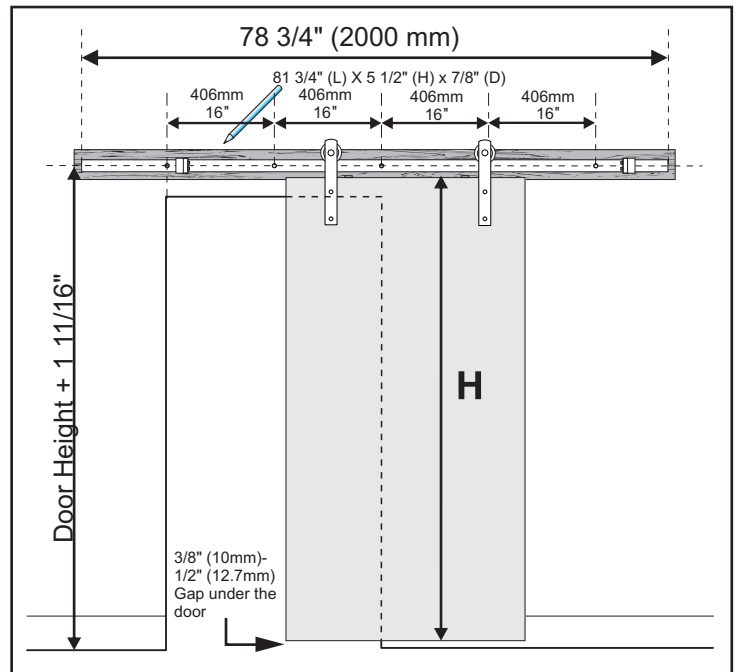
BARN DOOR HARDWARE KIT TSQ04BK-B-2 INSTALLATION GUIDE

Step 7. DRYWALL Wall Preparation

When installing into drywall, a piece of 81" x 5 1/2" x 7/8" solid wood blocking is required to be mounted to the wall before proceeding with the rail installation.

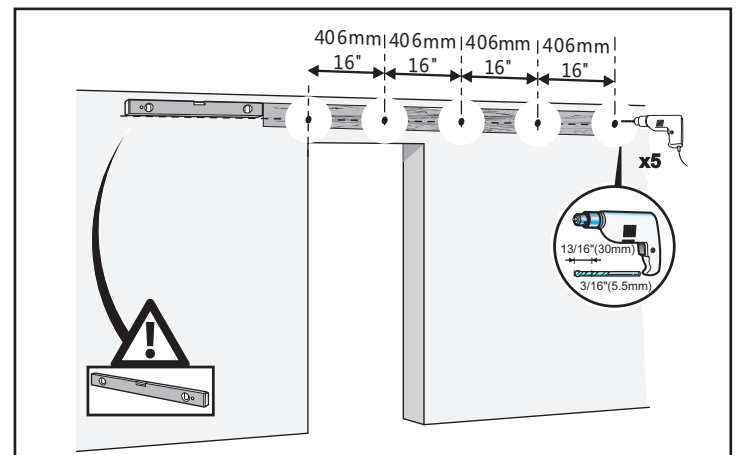
Position the rail by measuring up from the door height (H) + 1 11/16" to the centre of the track. Also ensure a gap of 3/8" - 1/2" at the bottom. Ensure the rail is level and leave a minimum of 2" from the end of the rail to the side of the opening.

If installing with an opening for 80" standard door size, remove the top trim and cut the side trim horizontally along the height of the opening.



Step 8. DRYWALL Wall Preparation

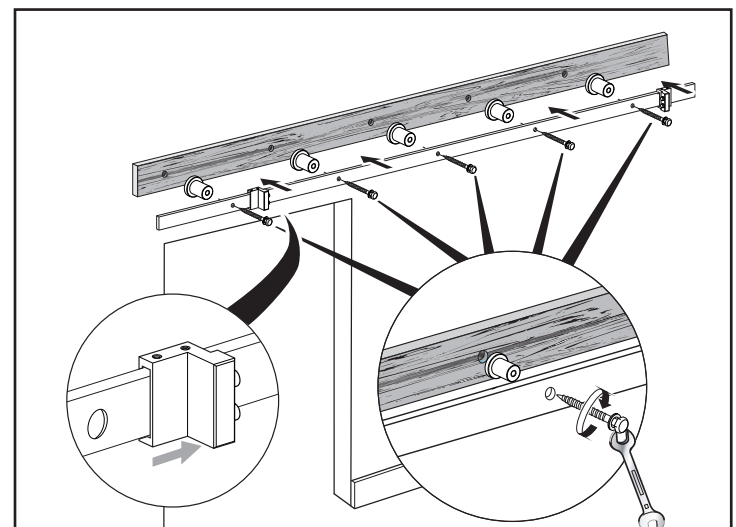
Position the rail on top of the wood blocking ensuring levelness, mark the holes using a pencil and pre-drill 3/16" holes into the wood blocking.



Step 9. DRYWALL Rail Installation

When installing into the solid wood block and wall, insert using the provided wall screws. Align each spacer to the rail holes, inserting screws (with washers), securing with a wrench.

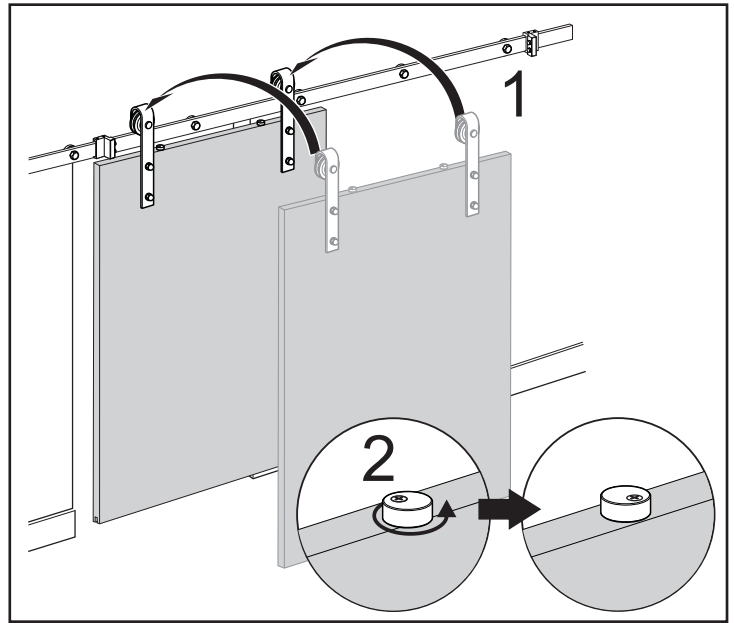
*NOTE - The stops are usually placed on each end of the track. However, they can be placed anywhere along the track if you are trying to stop the door at a different location than the tracks end.



BARN DOOR HARDWARE KIT TSQ04BK-B-2 INSTALLATION GUIDE

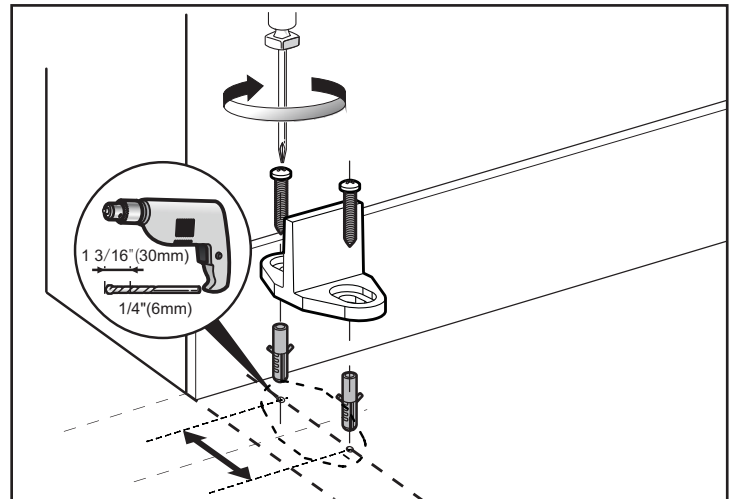
Step 10. Hanging the Door

Place the assembled door onto the secured rail and tighten each anti-jump block. Ensure all parts are operating correctly by sliding the door side-to-side.



Step 11. Floor-Mounted Door Guide Installation

Once the door is plumb, position the floor-mounted door guide inside the mortised door, line up close to the opening. Slide the door side-to-side to ensure functionality for final placement then mark holes with a pencil and pre-drill 1/4" holes. If drilling directly into a concrete floor, use the provided anchors.



Step 12. Stopper Installation

Slide the door closed and to correct position of both stoppers. Using the provided Allen key, tighten into position to complete the installation of the Barn Door Kit.

