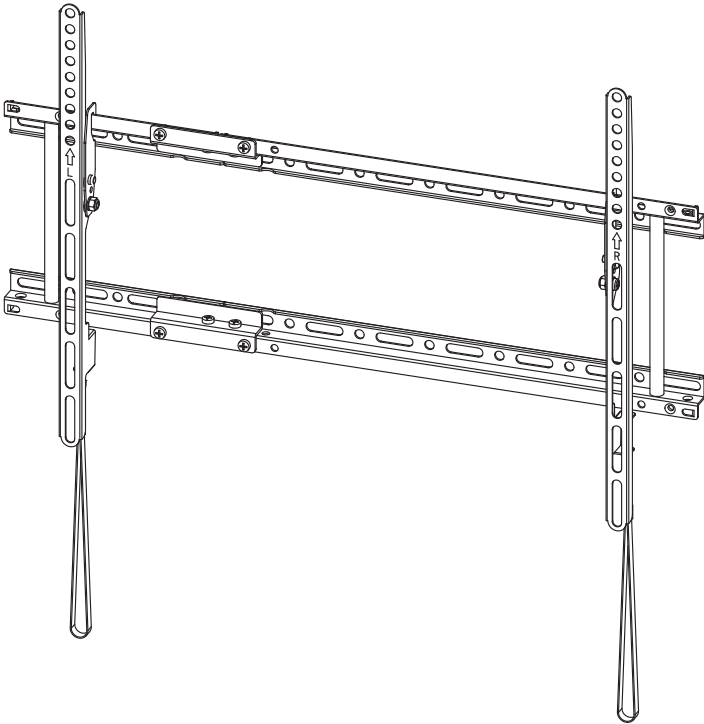




TV Wall Mount Instruction Manual

V3.0



Model: APPSLTK2

Thank you for choosing this Alphamount product! At Alphamount we strive to provide you with the best quality products and services in the industry. Should you have any issues, please don't hesitate to contact us at support@alphamount.com(US/CA)

IMPORTANT SAFETY INFORMATION

Please carefully read all instructions before attempting installation. If you do not understand the instructions or have any concerns or questions, please contact our customer service at support@alphamount.com.

CAUTION: Avoid potential personal injuries and property damage!

- Do not use this product for any purpose that is not explicitly specified in this manual. Do not exceed weight capacity. We are not liable for damage or injury caused by improper mounting, incorrect assembly or inappropriate use.
- This product is designed for use in wood stud, solid concrete, concrete block and brick walls. – DO NOT install into drywall alone.
- The wall must be capable of supporting five times the weight of the TV and mount combined.

Weight Restrictions

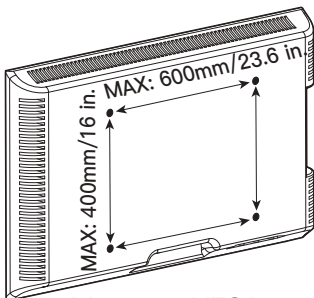


If your TV weighs more, this mount is NOT compatible.

WARNING

DO NOT exceed the maximum weight indicated. This mounting system is intended for use only within the maximum weights indicated. Use with products heavier than the maximum weights indicated may result in failure of the mount and its accessories, causing damage and or injury.

Check the VESA Pattern of TV before the Installation



100 mm \approx 4 in.
200 mm \approx 7 7/8 in.
400 mm \approx 15 3/4 in.
600 mm \approx 23 5/8 in.

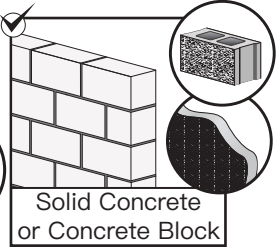
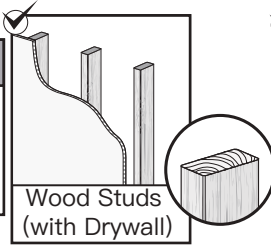
Minimum VESA pattern: 100mm/4 in.(W)x100mm/4 in.(H)

If your TV VESA is greater than 600x400 mm/24x16in. or less than VESA 100x100mm/4x4 in., this mount is NOT compatible.

If this mount is NOT compatible, please contact customer service at support@alphamount.com to find a compatible mount.

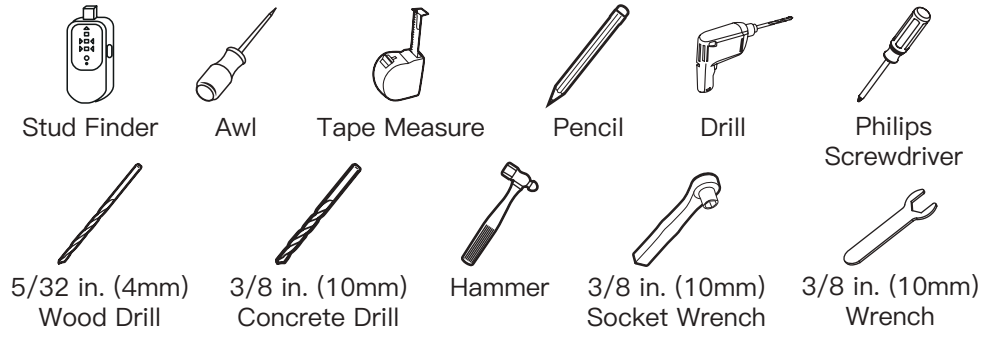
Verify Your Wall Construction

CAUTION
DO NOT install into drywall alone



If you are not sure the wall construction, please contact our customer service at support@alphamount.com.

Tools Needed (Not Included)

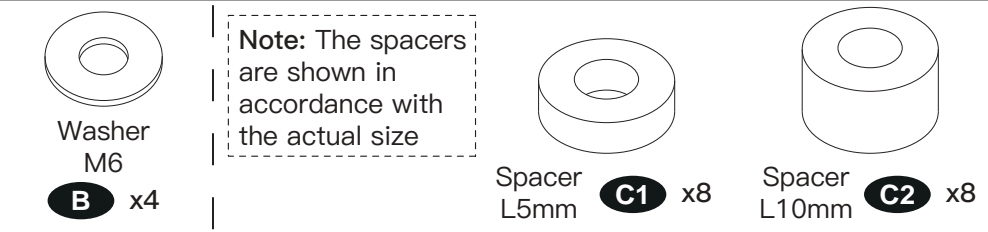
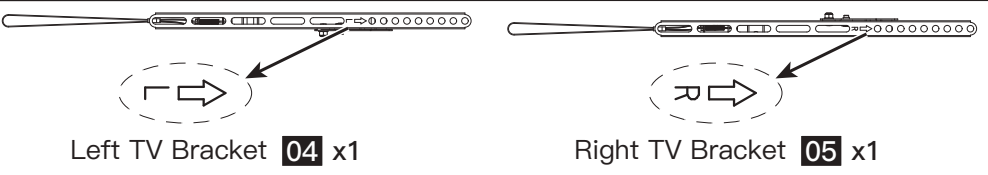


Supplied Parts and Hardware

Warning: This product contains small items that could be a choking hazard if swallowed.
Before starting assembly, verify all parts are included and undamaged. Do not use damaged or defective parts. If you require replacement parts, please contact our customer service at support@alphamount.com.

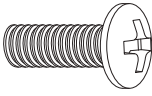
- Please note: Not all hardware included in this package will be used.

Supplied Parts and Hardware for Step 1

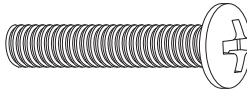


TV Bolts (Only one bolt size fits your TV)

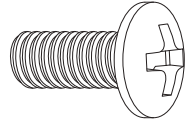
Note: The bolts are shown in accordance with the actual size



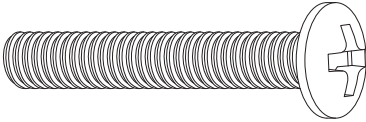
M6x15mm
D1 x4



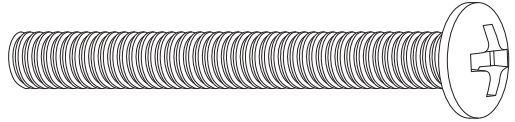
M6x30mm
D2 x4



M8x15mm
E1 x4

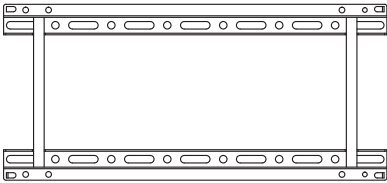


M8x45mm
E2 x4

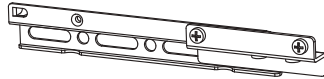


M8x65mm
E3 x4

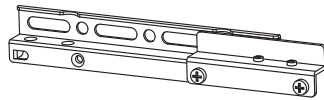
Supplied Parts and Hardware for Step 2 and 3



Wall Plate **01** x1



Wall Plate Extension **02** x1



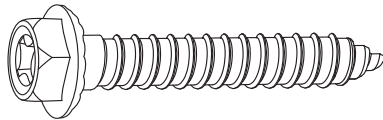
Wall Plate Extension **03** x1



Level

Note: The lag screw is shown in accordance with the actual size

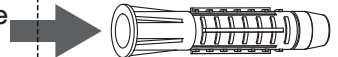
A1 x4 Lag Screw
M7x55 mm



A2 x4 Wall
Anchor

! CAUTION!

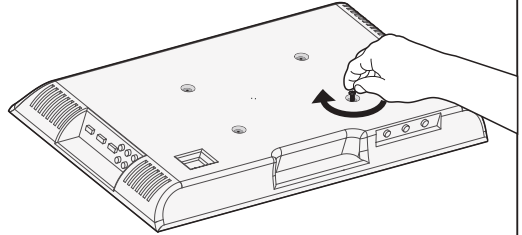
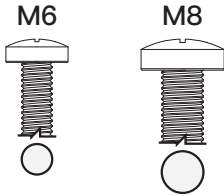
This anchor is for concrete or brick walls ONLY. DO NOT use them in drywall or wood studs.



Step 1 Secure the TV Brackets to TV

Select TV Bolts

Only one bolt size fits your TV.

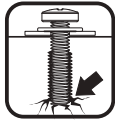


Bolt length: Verify adequate thread engagement with bolts or bolts/spacers combination. We recommend thread engagement by at least 5 turns.

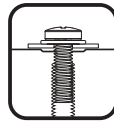
- Too short will not hold the TV.
- Too long will damage the TV.



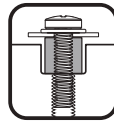
Too Short



Too Long



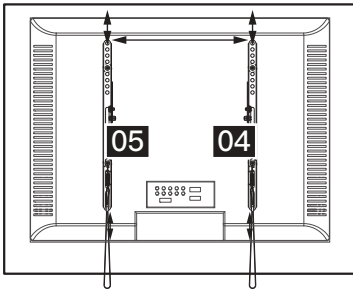
Correct



Correct



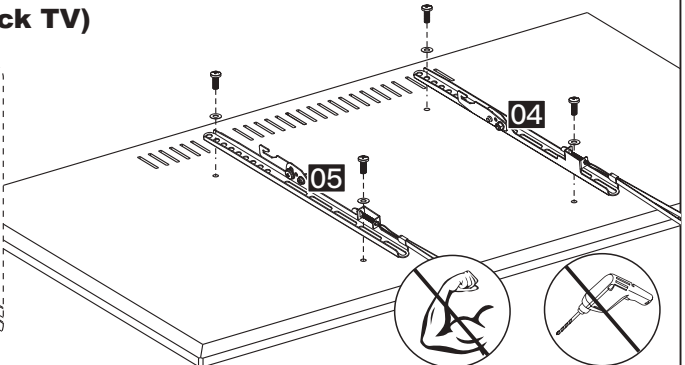
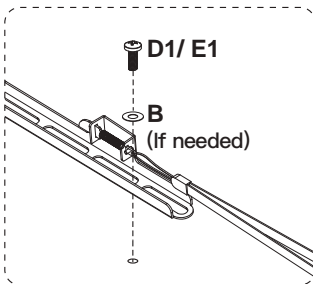
Note: If necessary, the spacers can be used in multi-layer. If the installation fails after trying various methods, please contact customer service at support@alphamount.com.



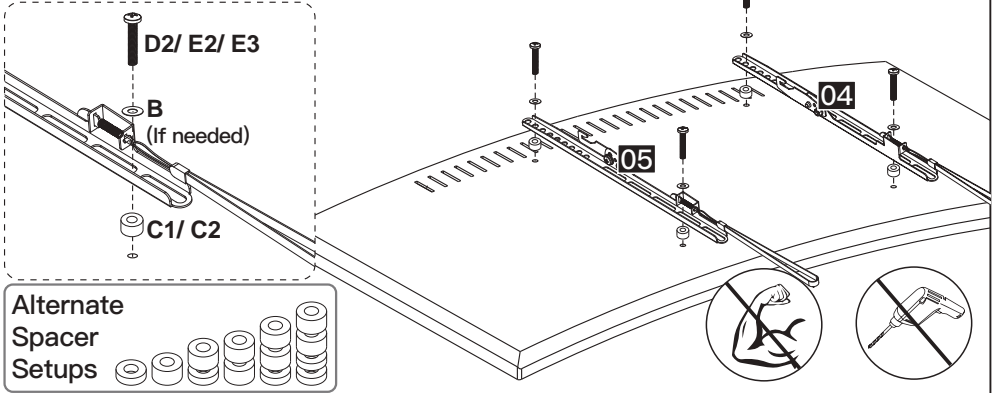
⚠ CAUTION: Ensure the TV brackets [04] and [05] are **EQUALLY CENTERED** on your TV and securely fastened in place.

⚠ Please note: The bolt hole locations on your TV may vary in accordance of the manufacturer's design of the TV. We are only illustrating possible locations of the bolt holes.

Option A (For Flat Back TV)

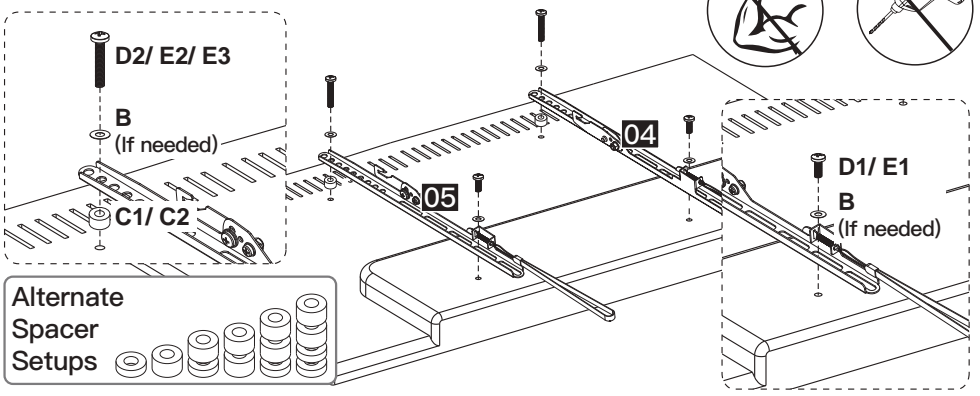


Option B (For Round Back TV)



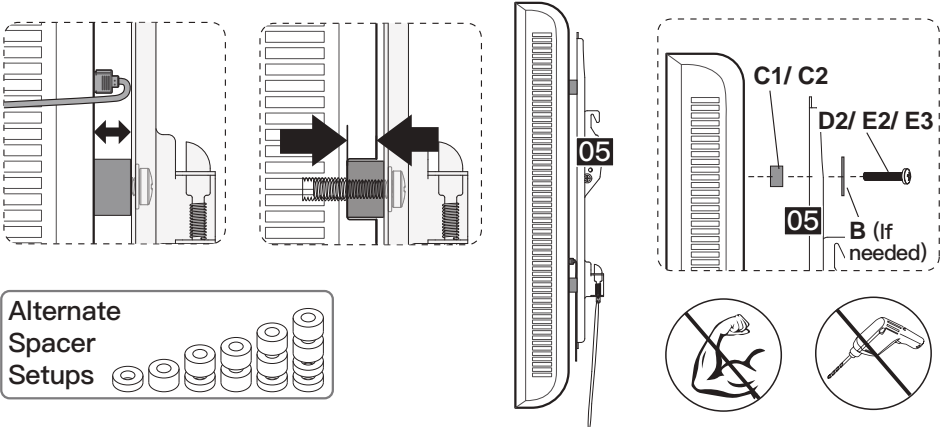
Option C (For TV with A "Bump")

Spacers may be necessary for 2 holes ONLY.



Option D

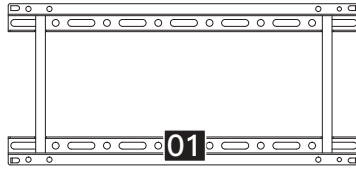
For cable interference or inset holes, use spacers [C1] and [C2] to create extra space between the TV and TV brackets



Step 2 Assemble the Wall Plate

Option A:

16 in. (406mm) stud spacing
and
VESA Pattern of TV:
100x100–400x400mm

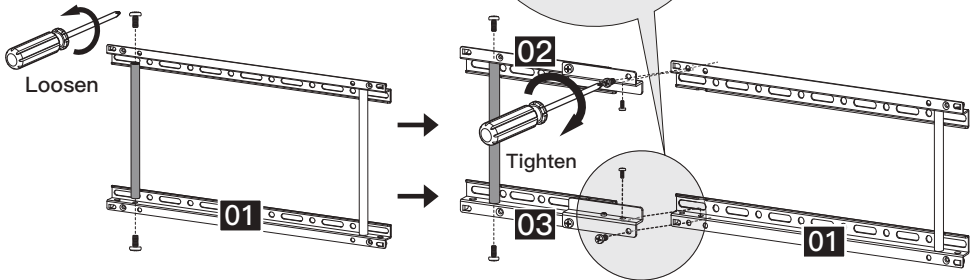


DO NOT overtighten.
Tighten only until snug.



Option B:

18–24 in. (457mm–610mm)
stud spacing
or
VESA Pattern of TV:
100x100–600x400mm



Step 3 Attach Wall Plate to Wall

For wood stud installation, follow STEP 3A
For concrete installation, follow STEP 3B

Step 3A Wood Stud Option

! WARNING:

Avoid potential personal injury or property damage! DO NOT over-tighten the lag screws [A1]. Tighten the lag screws [A1] only until they are pulled firmly against the wall plate [01] or [01, 02 and 03].

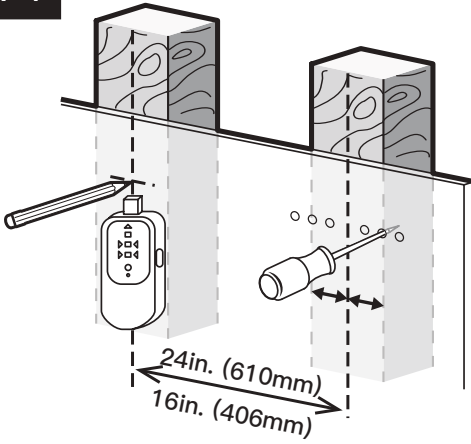
DO NOT USE ANCHOR FOR THIS STEP

Ensure the wall plate is securely fastened to the wall before continuing to the next step.

- Any material covering the wall must not exceed 5/8 in. (16 mm)
- Nominal wood stud size: common 2 x 4 in. (51 x 102 mm) minimum
1.5 x 3.5 in. (38 x 89 mm)
- Stud center must be verified



3A-1

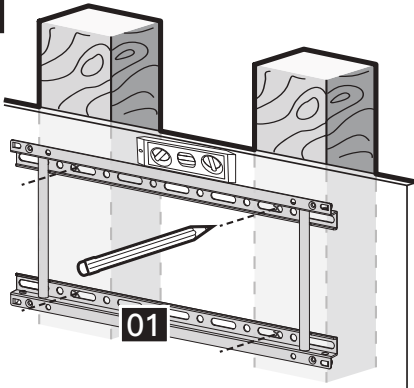


Use a stud finder (not included) to locate wood studs or use an awl (not included) to verify the edges. Mark the edge and center locations.



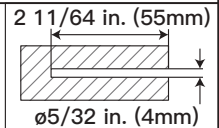
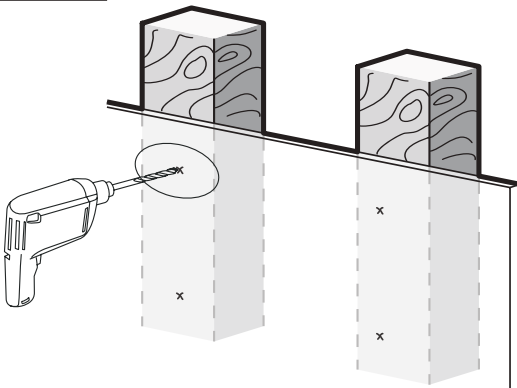
awl
(not included)

3A-2



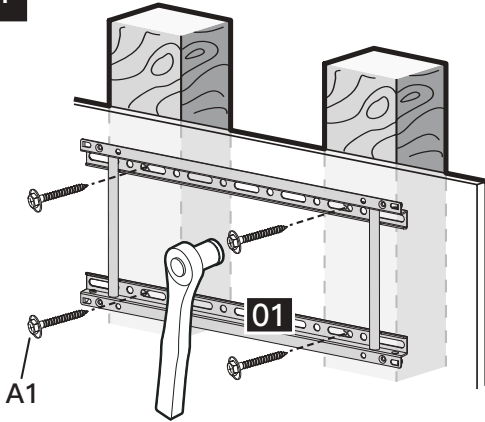
Position the wall plate [01] or [01, 02 and 03] at your desired height and line up the holes with your stud center line. Level the wall plate and mark the holes.

3A-3



Drill 4 pilot holes using a 5/32 in. (4mm) diameter drill bit. Make sure the depth is not less than 2 11/64 in. (55mm)

3A-4



Install the wall plate [01] or [01, 02 and 03] using lag screws [A].

Tighten the lag screws [A] only until they are pulled firmly against the wall plate.



3/8in. (10mm)
Socket Wrench

Step 3B Solid Concrete or Concrete Block Option

⚠ WARNING:

Avoid potential personal injury or property damage! DO NOT over-tighten the lag screws [A1]. Tighten the lag screws [A1] only until they are pulled firmly against the wall plate [01] or [01, 02 and 03].

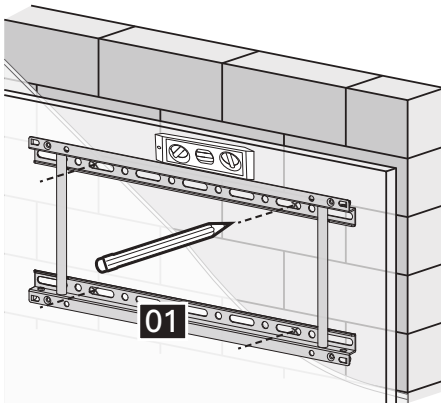
Ensure the wall plate is securely fastened to the wall before continuing to the next step.

- Mount the wall plate [01] or [01, 02 and 03] directly onto the concrete surface
- Anything covering the wall must not exceed 5/8 in. (16 mm)
- Minimum solid concrete thickness: 203 mm (8 in.)
- Minimum concrete block size: 203 x 203 x 406 mm (8 x 8 x 16 in.)
- Never drill into the mortar between blocks



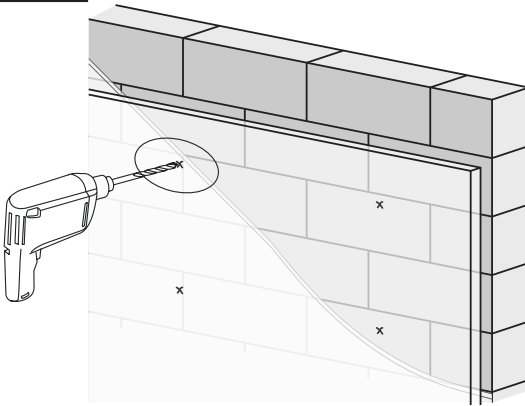
A2
Wall
Anchor

3B-1

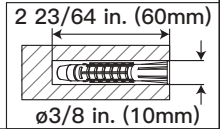
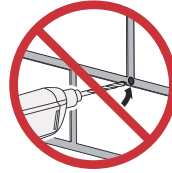


Position the wall wall plate [01] or [01, 02 and 03] at your desired height, level the wall plate and mark the pilot hole locations.

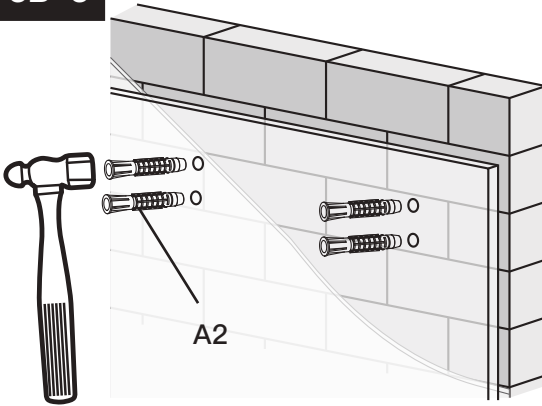
3B-2



Drill 4 pilot holes using a 3/8 in. (10mm) diameter drill bit. Make sure the depth is not less than 2 23/64 in. (60mm). Never drill into the mortar between blocks.

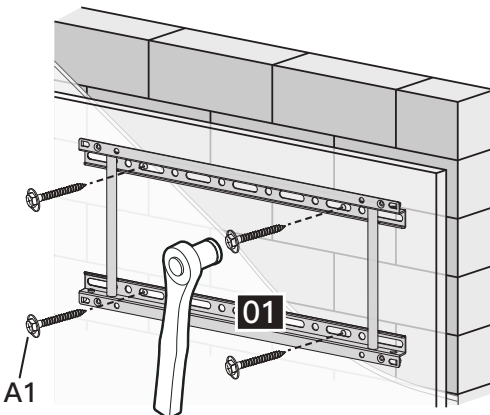


3B-3



Use the hammer to knock anchors [A2] into the wall. Be sure the anchors [A2] are seated flush with the concrete surface.

3B-4



Install the wall plate [01] or [01, 02 and 03] using lag screws [A1]. Tighten the lag screws [A1] only until they are pulled firmly against the wall plate. DO NOT over-tighten the lag screws [A1].



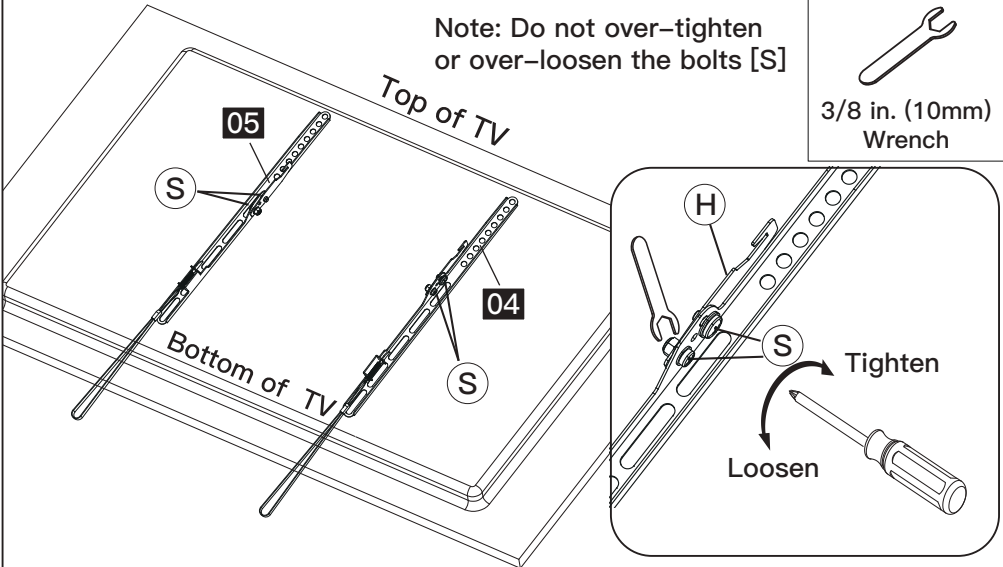
3/8 in. (10mm)
Socket Wrench

Step 4 Adjust Tilt Angles of TV

Note: Do not over-tighten or over-loosen the bolts [S]



3/8 in. (10mm)
Wrench

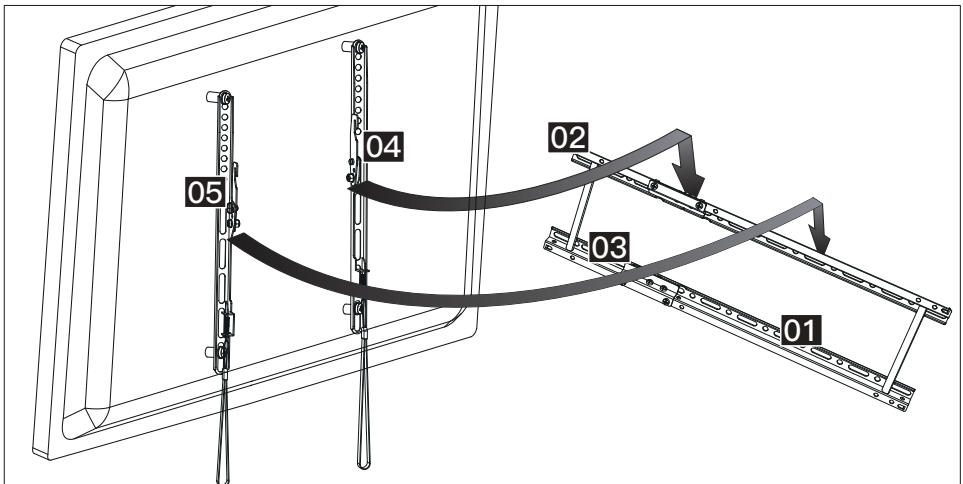


Note: The tilt angles of the hooks on the TV brackets must be the same. Loosen the 4 pcs tilt preassembled bolts [S] in both brackets [04 and 05]. Adjust the hooks [H] to your desired angle. Then tighten the 4 pcs tilt preassembled bolts [S] with a phillips screwdriver (not included) to fix the tilting angle.

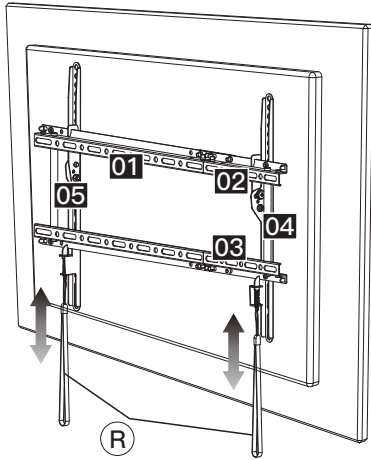
Step 5 Hang TV onto the Wall Plate [01] or [01, 02 and 03]



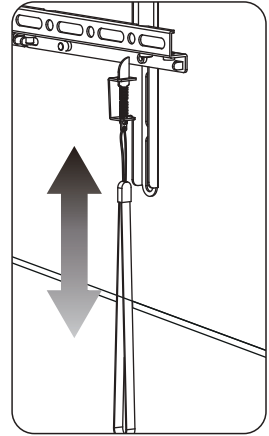
HEAVY! You may need assistance with this step.



Step 6 Secure TV

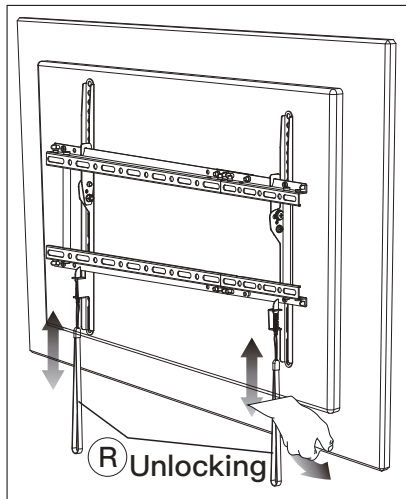


Locking

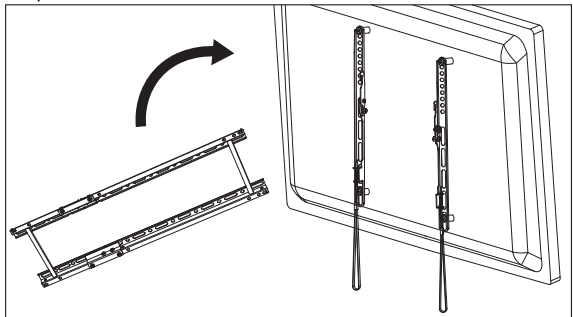


Pull down and hold both cords [R]. Press the bottom of the TV into the wall plate assembly [01] or [01, 02 and 03] until the latches lock the TV in place.

Step 7 Remove the TV



HEAVY! You may need assistance with this step.



Disconnect all cables, pull down and hold both cords [R] while gently pulling the bottom of the TV away from the wall.

CAUTION: Avoid potential personal injury or property damage! To prevent breaking the locking latches: always pull and hold the cords [R] down while pulling the TV away from the wall.

Then lift the TV up and off of wall plate assembly [01] or [01, 02 and 03]. Place the TV on cardboard or other protective surface to avoid damage.

NOTE: To rehang the TV, follow the procedures in Step 5 and 6.