



nanit

User Guide

Table of Contents

- What's in The Box 4
- Tools You'll Need 5
- Safety 6
- Let's Get Started 7
- Wall Mount Installation 8
- Safety Kit Installation 19
- Limited Warranty & Compliance 25

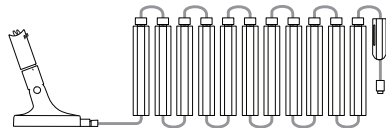
Watch an install video before trying it yourself: nanit.com/install

Compliance Information: nanit.com/legal/compliance

What's In The Box



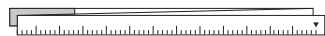
Nanit Camera



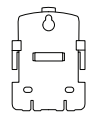
Camera Mount with Cable and Straight Cable Covers



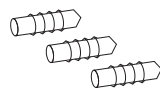
Elbow Cable Cover



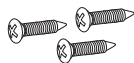
Mounting Ruler



Wall Mount Bracket & Level



Drywall Anchors



Screws



Power Adapter

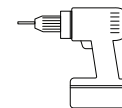


Extra Tape

Tools You'll Need



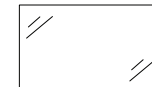
Pencil



Power Drill with
3/16" Drill Bit



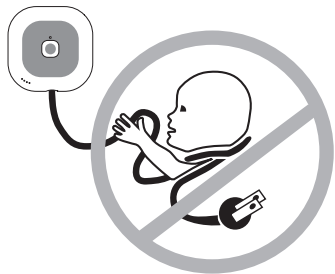
Screwdriver
#2 Phillips



Dusting
Cloth

Safety

- This device is designed to be mounted behind a standard crib and against the wall only. Do not use it elsewhere.
- This product cannot replace adult supervision. Ensure your child's health by checking on him/her regularly.
- This device is designed for indoor use only.
- This product and its packaging are not toys. Do not allow children to play with them.
- Use only the AC power supply included with your Nanit.
- Adult assembly required. Keep small parts away from children when assembling.



⚠ WARNING: Strangulation Hazard - Children have STRANGLLED in cords. NEVER attempt to use cord without the protective covering. Check protective covering before each use to ensure that the cord is not exposed to your child. Immediately discontinue use if protective covering is damaged or broken.

Let's Get Started

Download the Nanit app and setup your account.

Follow the in-app instructions to pair your Nanit Camera.

Choose "Set up your Nanit", then "Nanit Plus" and then "Wall Mount".

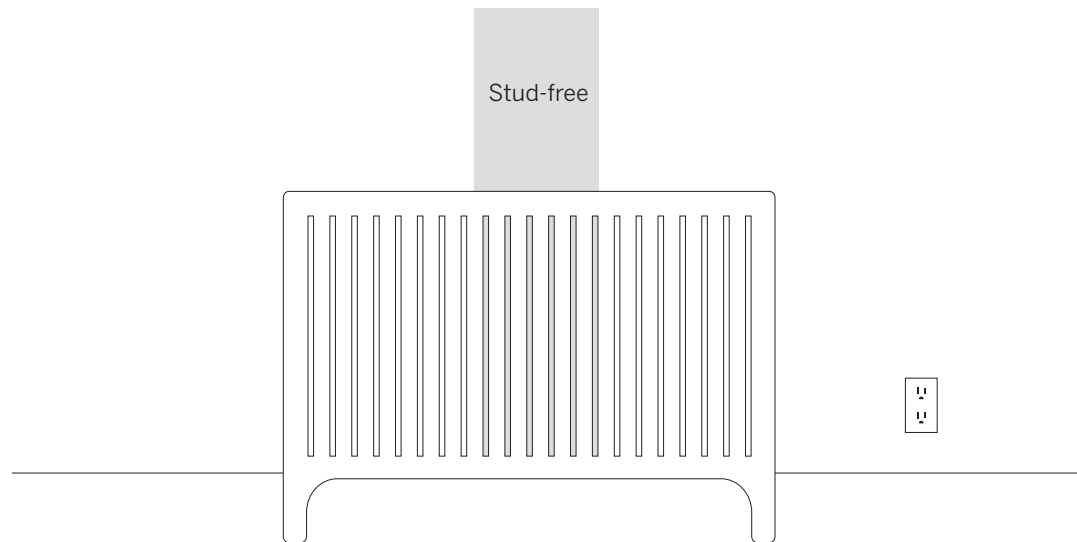
Once complete, you can choose to follow the mounting instructions in-app or in this booklet.



Wall Mount Installation

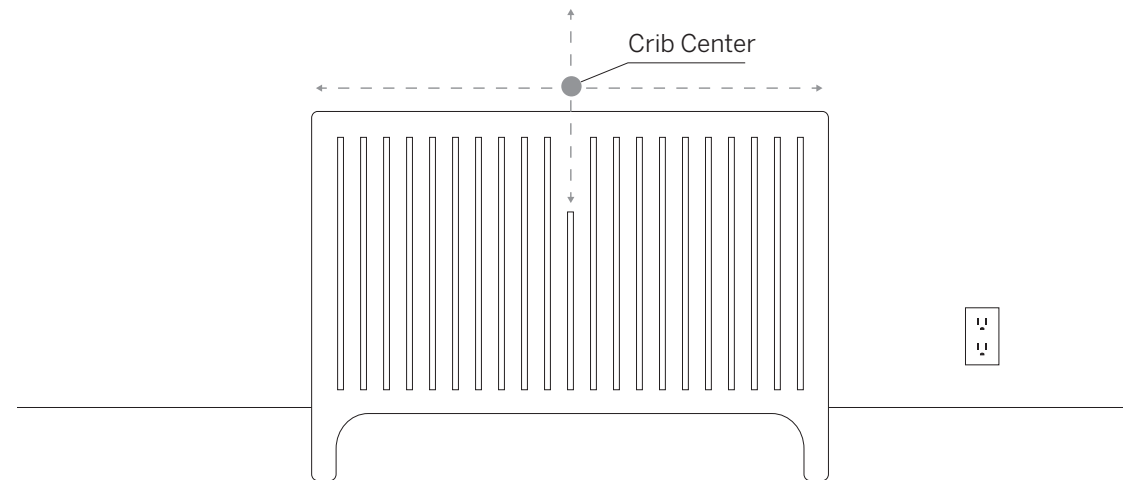
1.

Position your crib against the wall where you will mount Nanit.
Be sure to check that there are no studs in the center of the crib.



2.

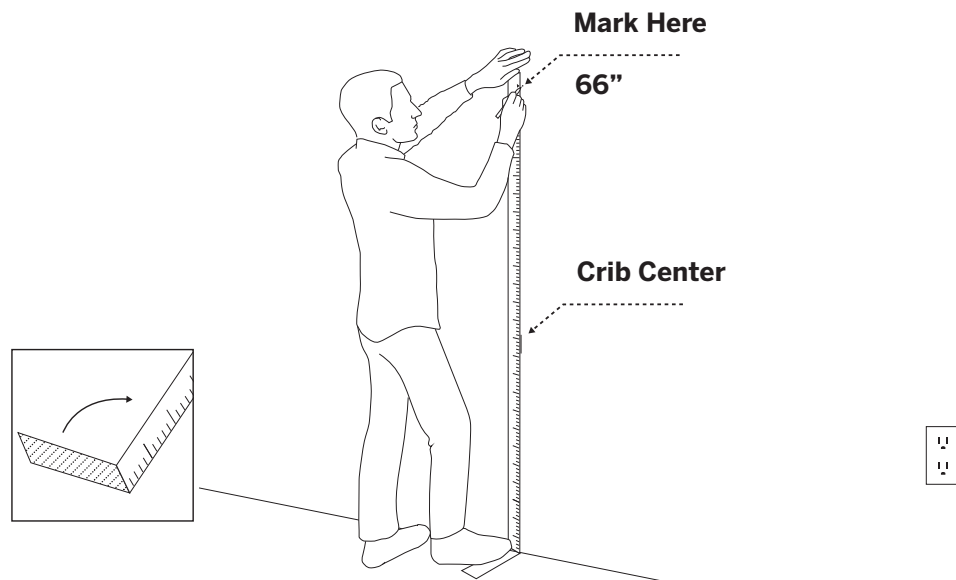
Using the included Mounting Template, find the center of the crib and mark the centerline.
Once complete, move the crib out of your way.



3.

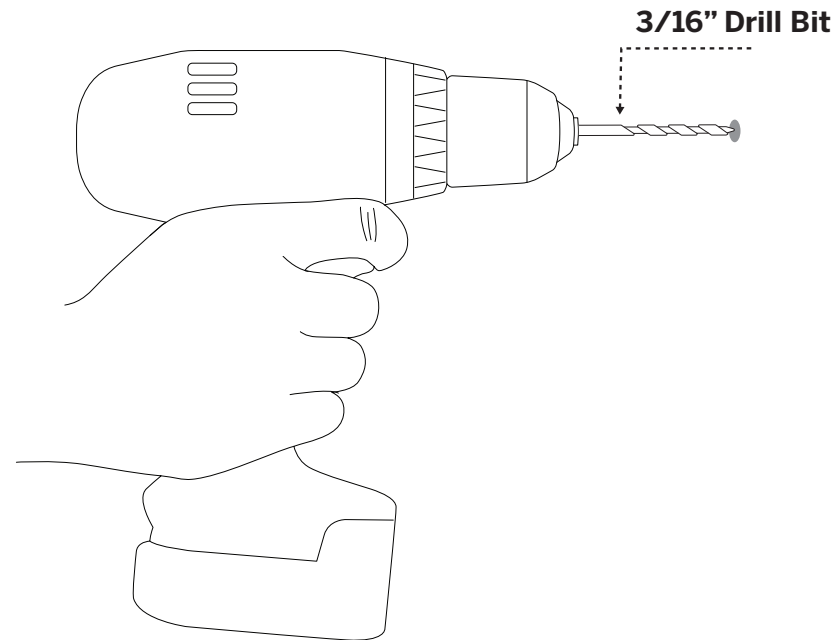
Fold the shaded area of the Mounting Template, step on it to pull straight, then align with the centerline.

Once in position, make a mark on your wall at 66".



4.

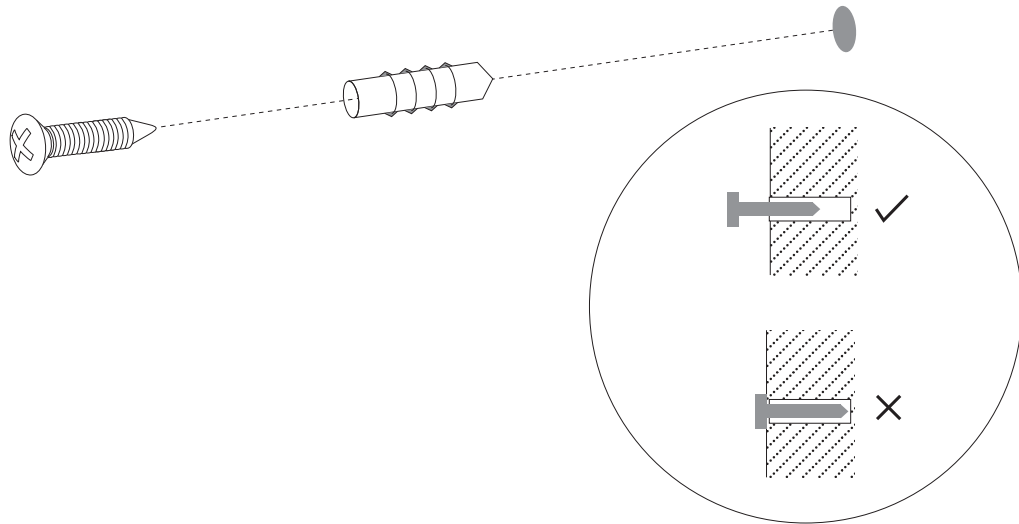
Drill a 3/16" hole in the marked spot.



5.

Insert an anchor until flush with wall.

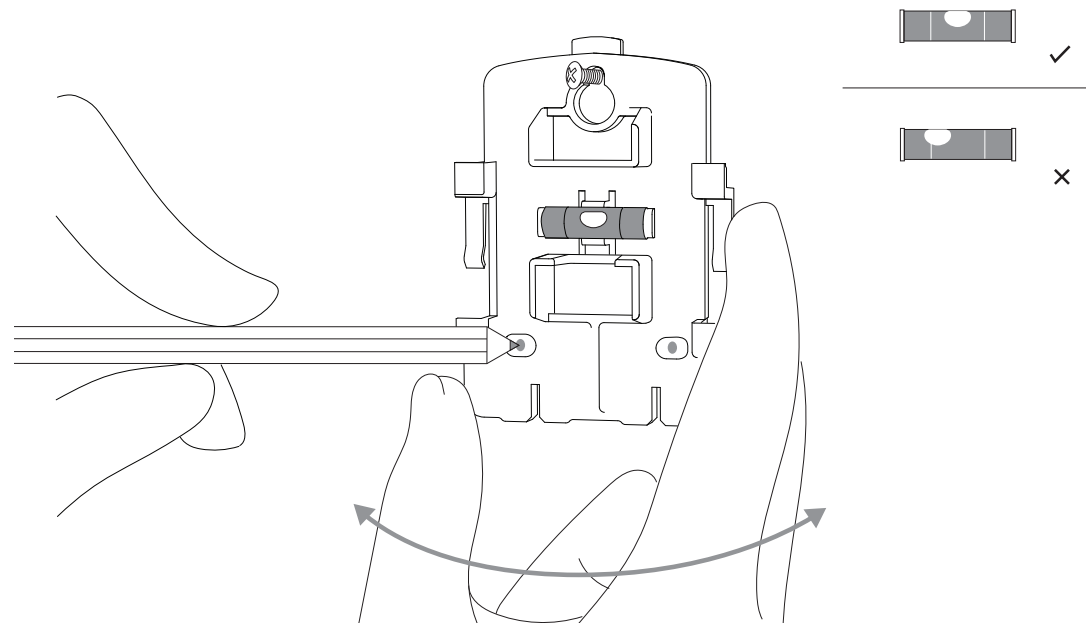
Insert a screw into the anchor and screw in halfway.



6.

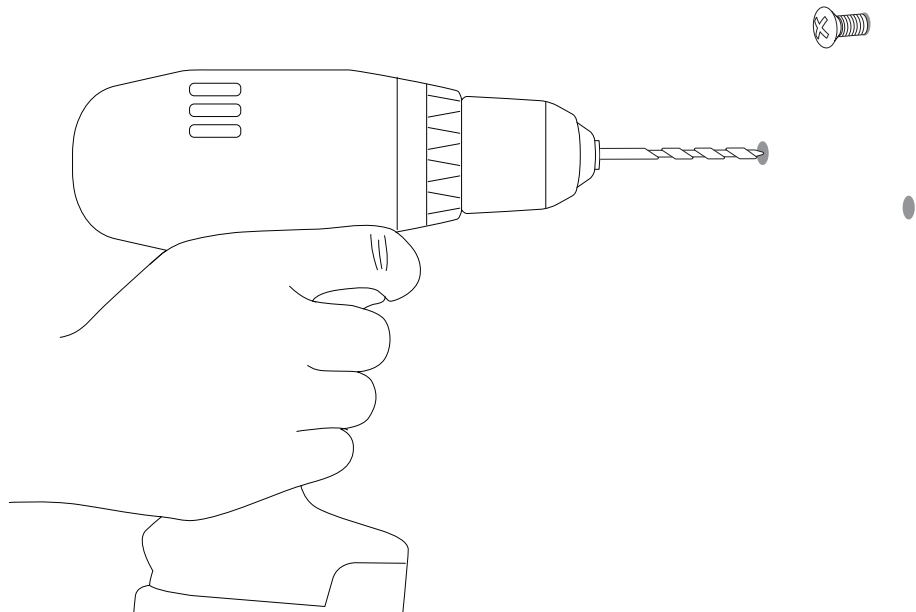
Hang the Mounting Bracket on the screw, then adjust it using the built-in level.

Once level, mark the wall through the two bottom holes in the bracket.



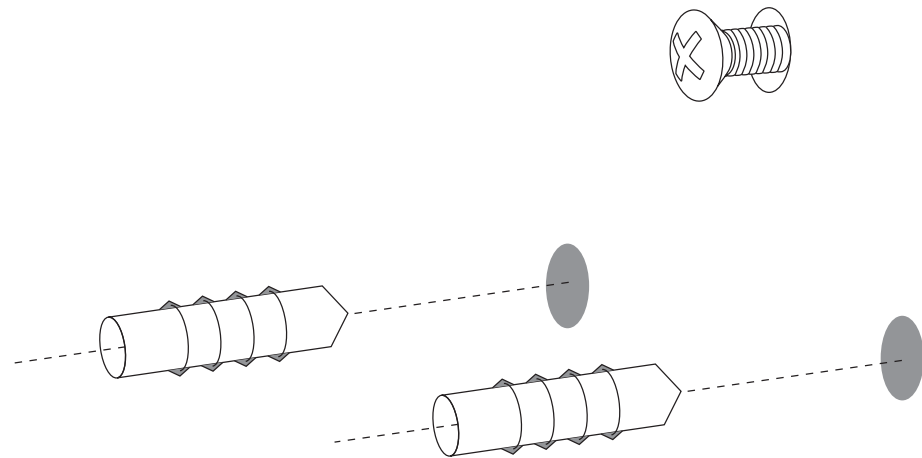
7.

Remove the mounting bracket. Drill 3/16" holes in the two marked spots.



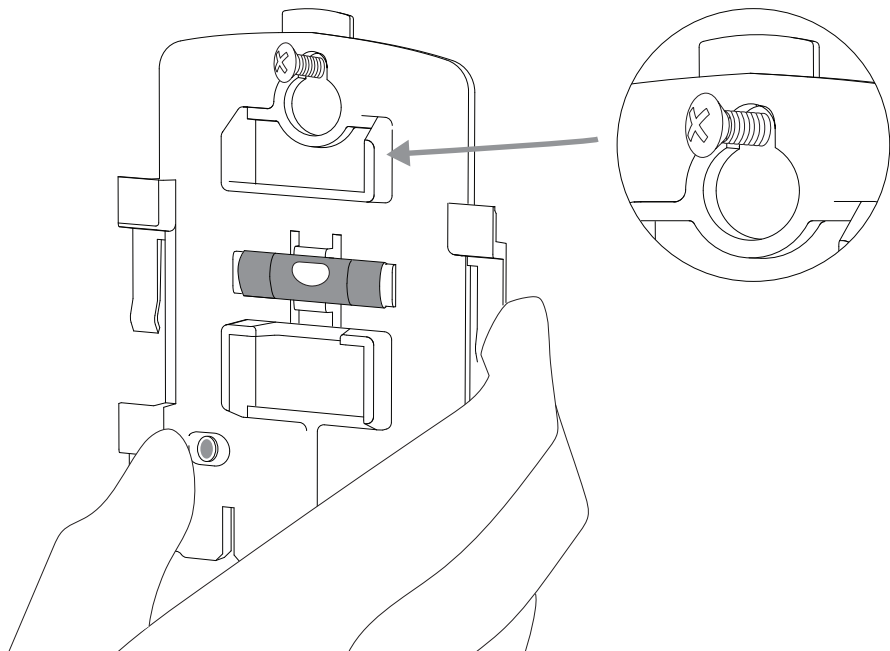
8.

Insert anchors until flush with wall.



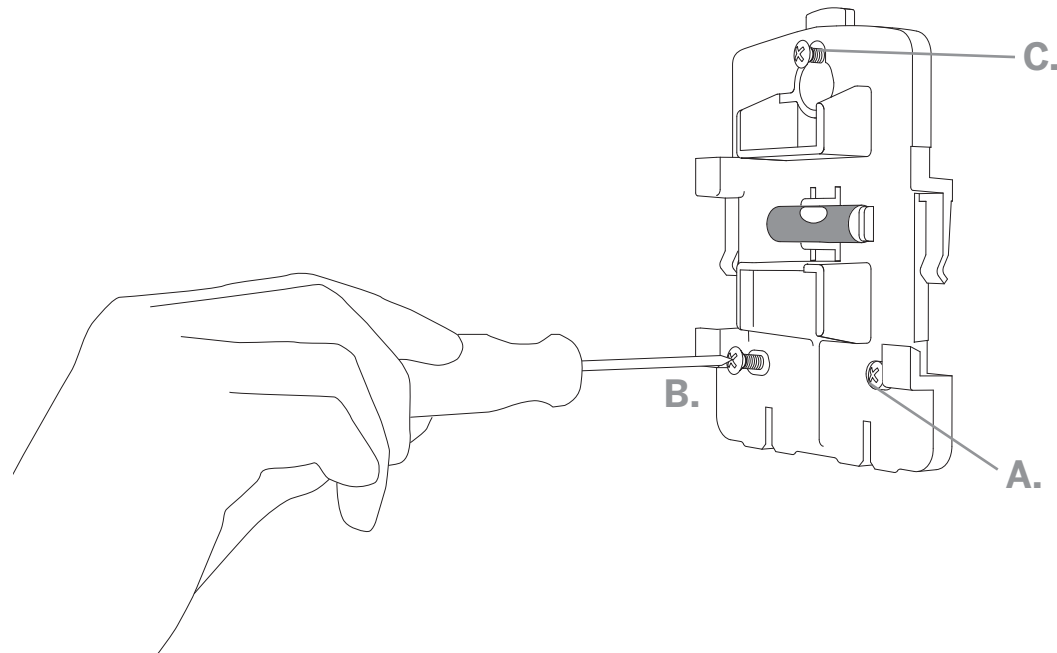
9.

Hang the Mounting Bracket back onto the center screw.



10.

Insert and tighten first the bottom two screws (**A**, **B**), then tighten the top screw (**C**).

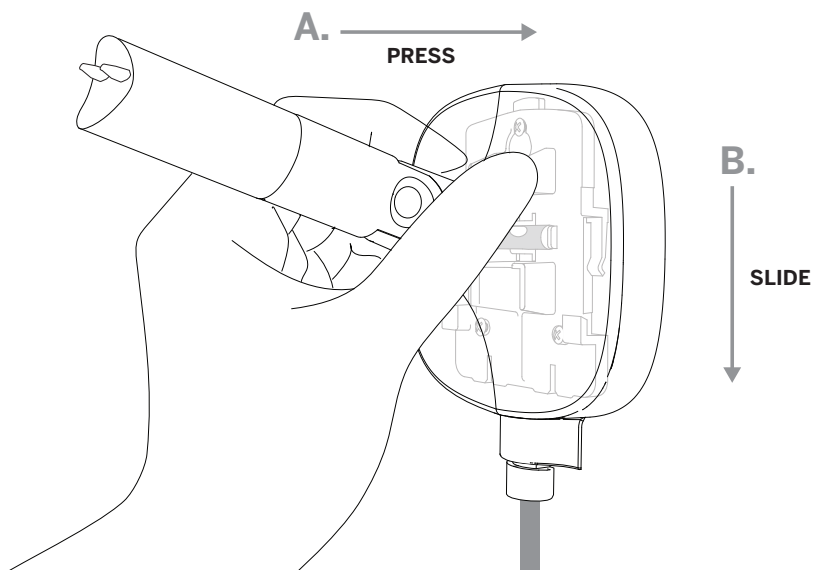


11.

Place Wall Mount over Mounting Bracket and press it flush against the wall (**A**),

Then, slide the Wall Mount down until it clicks (**B**).

Once the wall mount is secured, wipe down the wall below to remove any dust from the drilling process.

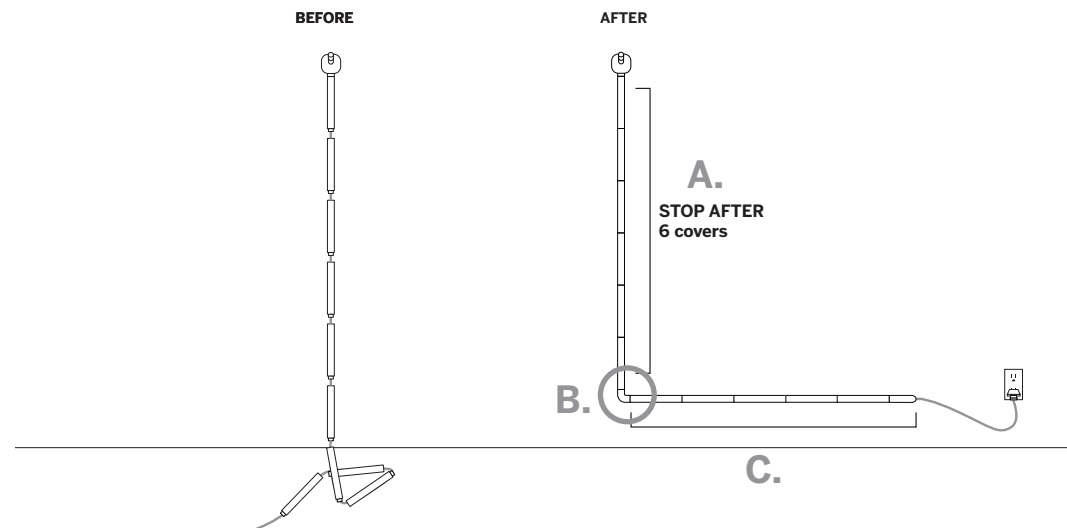


Safety Kit Installation

1.

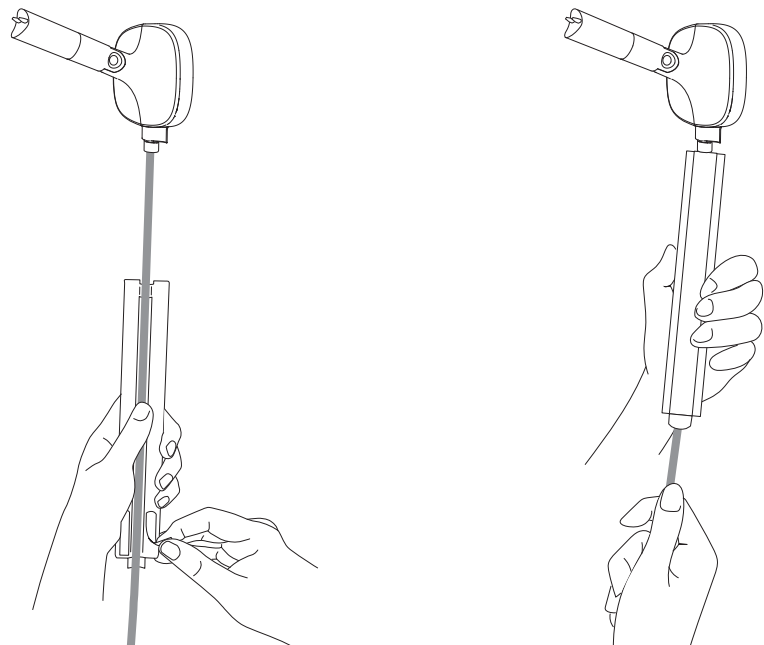
The next pages will guide you through the cable cover installation process. Start out by attaching the first six cable covers to the wall (**A**). Once the sixth cable cover has been installed, use the elbow joint (**B**) to make sure the cable runs towards your power outlet, then finish installing the remaining cable covers (**C**).

Turn to the next page to get started.



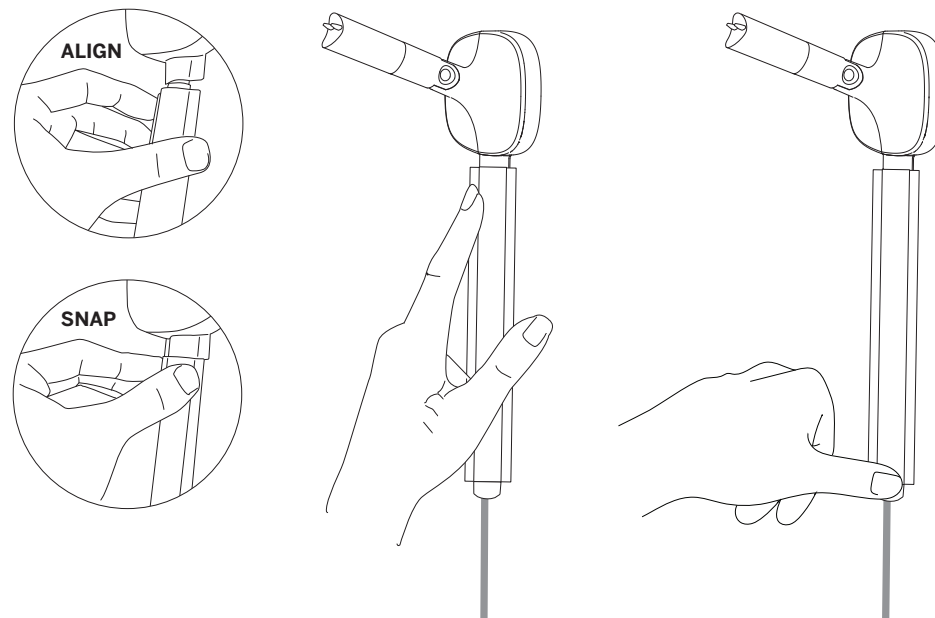
2.

Peel the tape backing off the cable cover. Then slide the cable cover until the top aligns with the connection point.



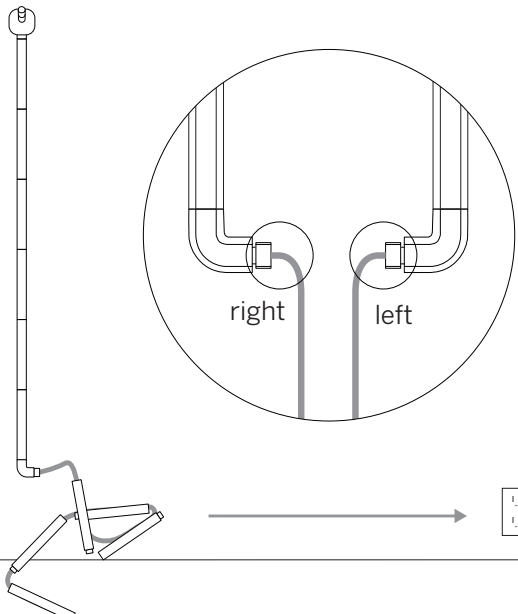
3.

Snap the top of the cable cover in. Gently pull on the cable and make sure the cable is completely tucked in. Firmly adhere the bottom of the cable cover to the wall.



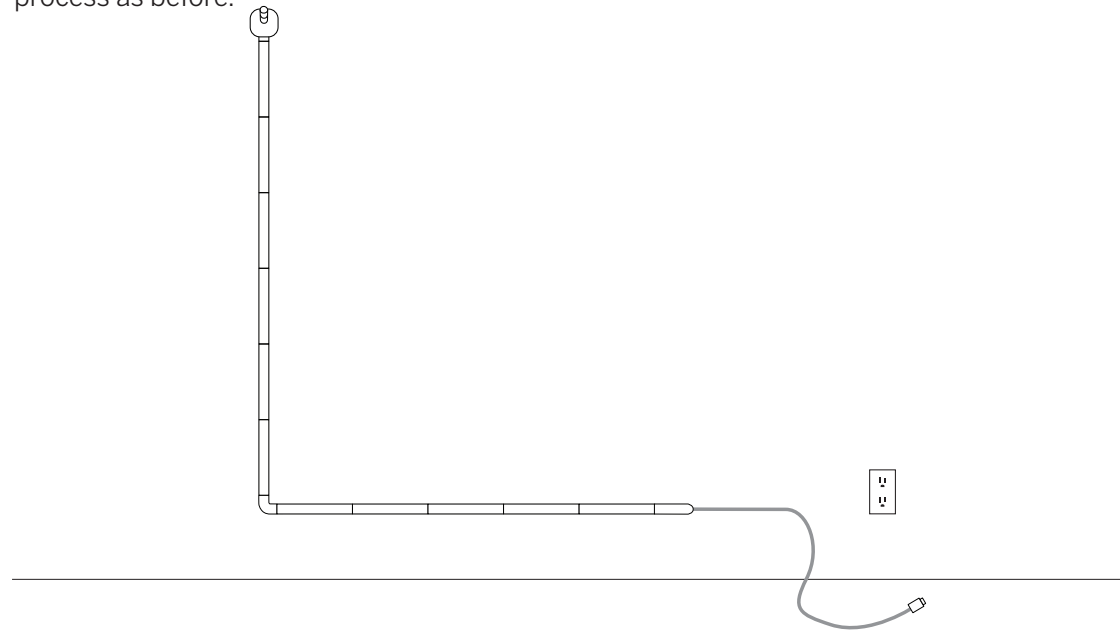
4.

Choose the left or right elbow cable cover depending on where your power outlet is located. Attach by peeling off the tape backing and snapping the elbow cable cover in. Complete adhering 6 straight cable cover pieces and **STOP**.



5.

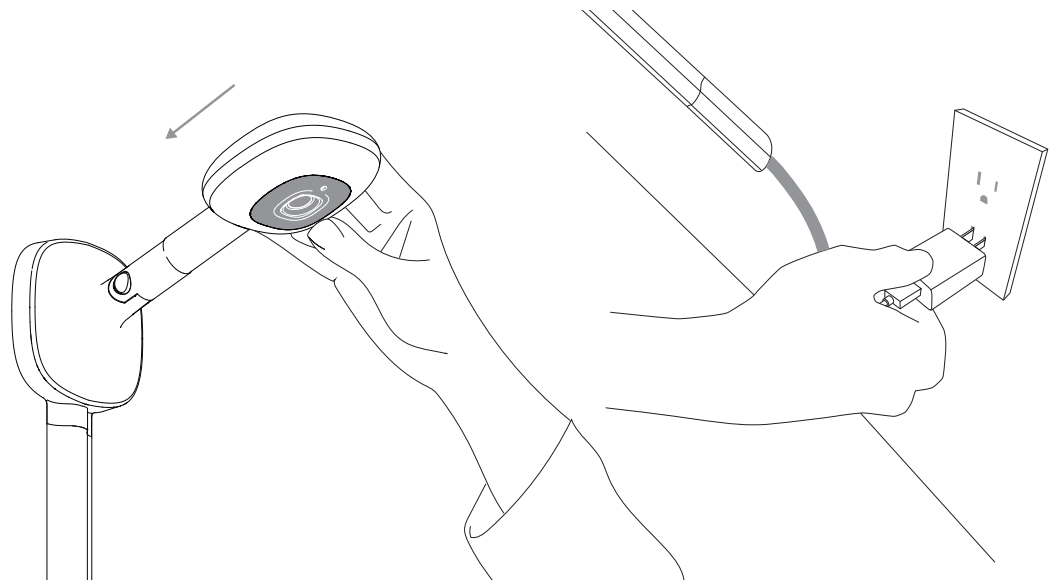
Now, install the remaining cable covers horizontally along the wall following the same process as before.



6.

Snap the Camera into the Wall Mount until it clicks, then plug the power adapter into your outlet.

Now, head back into the Nanit app to finish setup.



Limited Warranty & Compliance

UDISENSE, INC. DBA: NANIT

LIMITED WARRANTY///

THIS LIMITED WARRANTY CONTAINS IMPORTANT INFORMATION ABOUT YOUR RIGHTS AND OBLIGATIONS, AS WELL AS LIMITATIONS AND EXCLUSIONS THAT MAY APPLY TO YOU.

MAKE SURE YOU PURCHASE FROM AN AUTHORIZED NANIT RETAILER: A LIST OF NANIT'S AUTHORIZED RETAILERS CAN BE FOUND AT nanit.com/authorized-retailers. PLEASE BE AWARE THAT THERE ARE SOME RETAILERS AND WEBSITES THAT CLAIM TO BE AUTHORIZED RETAILERS OF NANIT WHEN THEY ARE NOT. NOTE THAT WHEN YOU PURCHASE FROM THESE UNAUTHORIZED RETAILERS, YOU ARE TAKING A RISK, INCLUDING A RISK THAT THESE PRODUCTS ARE USED OR DEFECTIVE. ITEMS OBTAINED FROM UNAUTHORIZED RETAILERS ARE NOT COVERED BY THIS WARRANTY. THEREFORE, WHEN PURCHASING A PRODUCT, IT IS IMPORTANT TO CHECK WHERE THE PRODUCT IS BEING SHIPPED FROM AND SOLD BY TO MAKE SURE IT IS FROM AN AUTHORIZED RETAILER. PLEASE LOCATE THE RETAILERS'S NAME ON OUR AUTHORIZED RETAILERS LIST LINKED ABOVE OR CONTACT US DIRECTLY AT retail@nanit.com IF YOU ARE UNCERTAIN ABOUT A PURCHASE.

1. WHAT THIS LIMITED WARRANTY COVERS; PERIOD OF COVERAGE. Udisense, Inc. DBA: Nanit ("Nanit"), located at 244 Fifth Avenue, Suite #2702, New York, New York 10001, USA, warrants to the owner of the enclosed product that the product contained in this box ("Product") will be free from defects in materials and workmanship for a period of one (1) year from the date of delivery following the original retail purchase (the "Warranty Period"). If the Product fails to conform to this Limited Warranty during the Warranty Period, Nanit will, at its sole discretion, either (a) repair or replace any defective Product or component; or (b) accept the return of the Product and refund the money actually paid by the original purchaser for the Product. Repair or replacement may be made with a new or refurbished product or components, at Nanit's sole discretion. If the Product or a component incorporated within it is no longer available, Nanit may, at Nanit's sole discretion, replace the Product with a similar product of similar function. This is your sole and exclusive remedy for breach of this Limited Warranty. Any Product that has either been repaired or replaced under this Limited Warranty will be covered by the terms of this Limited Warranty for the longer of (a) ninety (90) days from the date of delivery of the repaired Product or replacement Product, or (b) the remaining Warranty Period. This Limited Warranty is transferable from the original purchaser to subsequent owners, but the Warranty Period will not be extended in duration or expanded in coverage for any such transfer.

2. TOTAL SATISFACTION RETURN POLICY. If you are the original purchaser of the Product and you are not satisfied with this Product for any reason, you may return it in its original condition within thirty (30) days of the original purchase and receive a full refund.

3. WARRANTY CONDITIONS; HOW TO GET SERVICE IF YOU WANT TO CLAIM UNDER THIS LIMITED WARRANTY. Before making a claim under this Limited Warranty, the owner of the Product must (a) notify Nanit of the intention to claim by visiting nanit.com/support during the Warranty Period and providing a description of the alleged failure, and (b) comply with Nanit's return shipping instructions. Nanit will have no warranty obligations with respect to a returned Product if it determines, in its reasonable discretion after examination of the returned Product, that the Product is an Ineligible Product (defined below).

4. WHAT THIS LIMITED WARRANTY DOES NOT COVER. This Limited Warranty does not cover the following (collectively "Ineligible Products"): Products marked as "sample" or "Not for Sale", or sold "AS IS"; or Products that have been subject to: (a) modifications, alterations, tampering, or improper maintenance or repairs; (b) handling, storage, installation, testing, or use not in accordance with the Terms of Service or other instructions provided by Nanit; (c) abuse or misuse of the Product; (d) breakdowns, fluctuations, or interruptions in electric power or the telecommunications network; or (e) Acts of God, including but not limited to lightning, flood, tornado, earthquake, or hurricane. This Limited Warranty does not cover consumable parts, including batteries, unless damage is due to defects in materials or workmanship of the Product, or software (even if packaged or sold with the product). Nanit recommends that you use only authorized service providers for maintenance or repair. Unauthorized use of the Product or software can impair the Product's performance. This Limited Warranty does not apply to anything other than the Products, including any software, even if packaged or sold with the Products. Software distributed by Nanit (including, but not limited to system software) is not covered under this Limited Warranty. Refer to the licensing agreement accompanying the software for details of your rights with respect to its use. Nanit does not warrant that the operation of the product will be uninterrupted or error-free.

5. NOT A MEDICAL DEVICE. THE SERVICES AND THE PRODUCTS ARE NOT INTENDED TO BE USED AS A MEDICAL DEVICE AND THE PRODUCTS ARE NOT MEDICAL DEVICES. FURTHERMORE, THE SERVICES AND THE PRODUCTS ARE NEITHER REGULATED NOR APPROVED BY THE U.S. FOOD AND DRUG ADMINISTRATION, AND ARE NOT DESIGNED TO DETECT OR PREVENT CAUSES OF ANY MEDICAL CONDITION. THE SERVICES ARE NOT A SUBSTITUTE FOR MEDICAL CARE OR ADULT SUPERVISION. YOU ACKNOWLEDGE, UNDERSTAND AND AGREE THAT YOUR USE OF THE SERVICES AND THE PRODUCTS IS ENTIRELY AT YOUR OWN RISK.

6. DISCLAIMER OF WARRANTIES. EXCEPT AS STATED ABOVE IN THIS LIMITED WARRANTY, AND TO THE MAXIMUM EXTENT PERMITTED BY APPLICABLE LAW, NANIT DISCLAIMS ALL EXPRESS, IMPLIED, AND STATUTORY WARRANTIES AND CONDITIONS WITH RESPECT TO THE PRODUCT, INCLUDING THE IMPLIED WARRANTIES OF MERCHANTABILITY, FITNESS FOR A PARTICULAR PURPOSE AND NON-INFRINGEMENT. TO THE MAXIMUM EXTENT PERMITTED BY APPLICABLE LAW, NANIT ALSO LIMITS THE DURATION OF ANY APPLICABLE IMPLIED WARRANTIES OR CONDITIONS TO THE DURATION OF THIS LIMITED WARRANTY.

7. LIMITATION OF DAMAGES. IN ADDITION TO THE ABOVE WARRANTY DISCLAIMERS, IN NO EVENT WILL NANIT BE LIABLE FOR ANY CONSEQUENTIAL, INCIDENTAL, EXEMPLARY, OR SPECIAL DAMAGES, INCLUDING ANY DAMAGES FOR LOST DATA OR LOST PROFITS, ARISING FROM OR RELATING TO THIS LIMITED WARRANTY OR THE PRODUCT, AND NANIT'S TOTAL CUMULATIVE LIABILITY ARISING FROM OR RELATED TO THIS LIMITED WARRANTY OR THE PRODUCT WILL NOT EXCEED THE AMOUNT ACTUALLY PAID FOR THE PRODUCT BY THE ORIGINAL PURCHASER.

8. LIMITATION OF LIABILITY. THE NANIT ONLINE SERVICES ("SERVICES") PROVIDE YOU INFORMATION ("PRODUCT INFORMATION") REGARDING YOUR NANIT PRODUCTS OR OTHER PERIPHERALS CONNECTED TO YOUR PRODUCTS ("PRODUCT PERIPHERALS"). THE TYPE OF PRODUCT PERIPHERALS THAT MAY BE CONNECTED TO YOUR PRODUCT MAY CHANGE FROM TIME TO TIME. WITHOUT LIMITING THE GENERALITY OF THE DISCLAIMERS ABOVE, ALL PRODUCT INFORMATION IS PROVIDED FOR YOUR CONVENIENCE, "AS IS", AND "AS AVAILABLE". NANIT DOES NOT REPRESENT, WARRANT, OR GUARANTEE THAT PRODUCT INFORMATION WILL BE AVAILABLE, ACCURATE, OR RELIABLE OR THAT PRODUCT INFORMATION OR USE OF THE SERVICES OR PRODUCT WILL PROVIDE SAFETY IN YOUR HOME. YOU USE ALL PRODUCT INFORMATION, THE SERVICES, AND THE PRODUCT AT YOUR OWN DISCRETION AND RISK. YOU WILL BE SOLELY RESPONSIBLE FOR (AND NANIT DISCLAIMS) ANY AND ALL LOSS, LIABILITY, OR DAMAGES, INCLUDING TO YOUR WIRING, FIXTURES, ELECTRICITY, HOME, PRODUCT, PRODUCT PERIPHERALS, COMPUTER, MOBILE DEVICE, AND ALL OTHER ITEMS AND PETS IN YOUR HOME, RESULTING FROM YOUR USE OF THE PRODUCT INFORMATION, SERVICES, OR PRODUCT. PRODUCT INFORMATION PROVIDED BY THE SERVICES IS NOT INTENDED AS A SUBSTITUTE FOR DIRECT MEANS OF OBTAINING THE INFORMATION. FOR EXAMPLE, A NOTIFICATION PROVIDED THROUGH THE SERVICE IS NOT INTENDED AS A SUBSTITUTE FOR AUDIBLE AND VISIBLE INDICATIONS IN THE HOME AND ON THE PRODUCT, NOR FOR A PARENT CHECKING ON THE CHILD.

9. YOUR RIGHTS AND THIS LIMITED WARRANTY. This Limited Warranty gives you specific legal rights. You may also have other legal rights that vary by state, province, or jurisdiction. Likewise, some of the limitations in this Limited Warranty may not apply in certain states. The terms of this Limited Warranty will apply to the extent permitted by applicable law. For a full description of your legal rights you should refer to the laws applicable in your jurisdiction and you may wish to contact a relevant consumer advisory service.

10. EFFECTIVE DATE OF THIS LIMITED WARRANTY POLICY: July 18, 2018. If you purchased a Product prior to July 18, 2018, please refer to the warranty policy posted at nanit.com/legal/warranty-June2018



nanit.com