



WASTE MASTER®

OEM INSTALLATION MANUAL

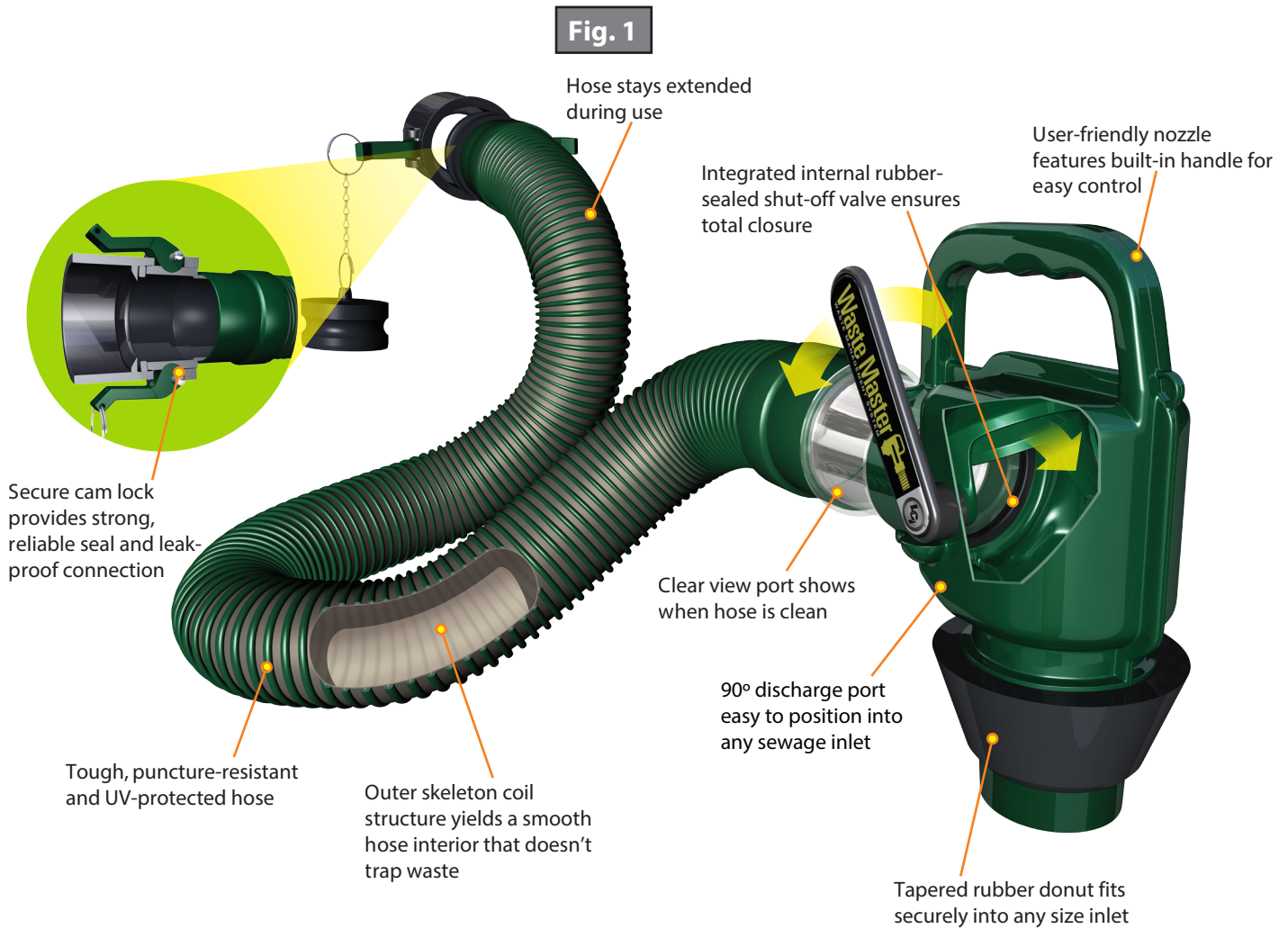
LIPPERT
COMPONENTS®

TABLE OF CONTENTS

Introduction.....	2
Installation of System.....	3
Prior To Storage Box Installation.....	4
Storage Box Installation.....	4

Introduction

Unlike traditional hose coils that trap debris, the tough Waste Master® hose is designed with its helical coil on the outside, while the inside is much smoother, preventing waste from getting trapped inside the hose. The UV-protected hose features "stay put" technology that keeps it extended during use to the exact length required. The optional storage box can be mounted on the chassis in proximity to the RV holding tank outlet for a permanent cam lock connection. The storage box can also be mounted elsewhere on the RV for convenient storage of the Waste Master® hose and nozzle assembly.



Installation of System

1. The female cam lock (Fig. 2) affixes to the holding tank outlet pipe.
2. The male cam lock fitting comes pre-installed on the end of the 4:1 compression hose (Fig. 3).
3. The end of the holding tank outlet pipe on the coach **MUST** be directed at and be within 3" of the hole in the side of the storage box (Fig. 4).
4. Apply the ABS glue to the pipe at the coach. Apply ABS glue to the female cam lock fitting and apply another swipe of glue to the pipe at the coach. Take the cam lock fitting and push it on the pipe, turn approximately 90 degrees to the final position and hold in place for 30 seconds.

NOTE: The waste pipe is ABS pipe. Use approved glue for ABS piping. Do not use glue for PVC or CPVC piping. Allow 15 minutes for the glue to set before proceeding.

Fig. 2



Fig. 3

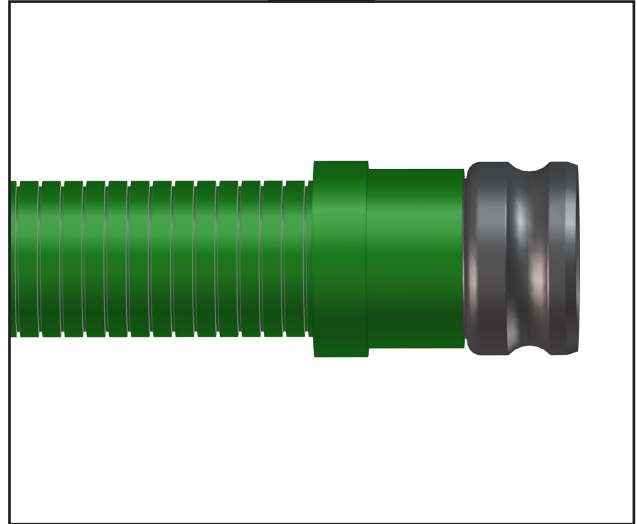
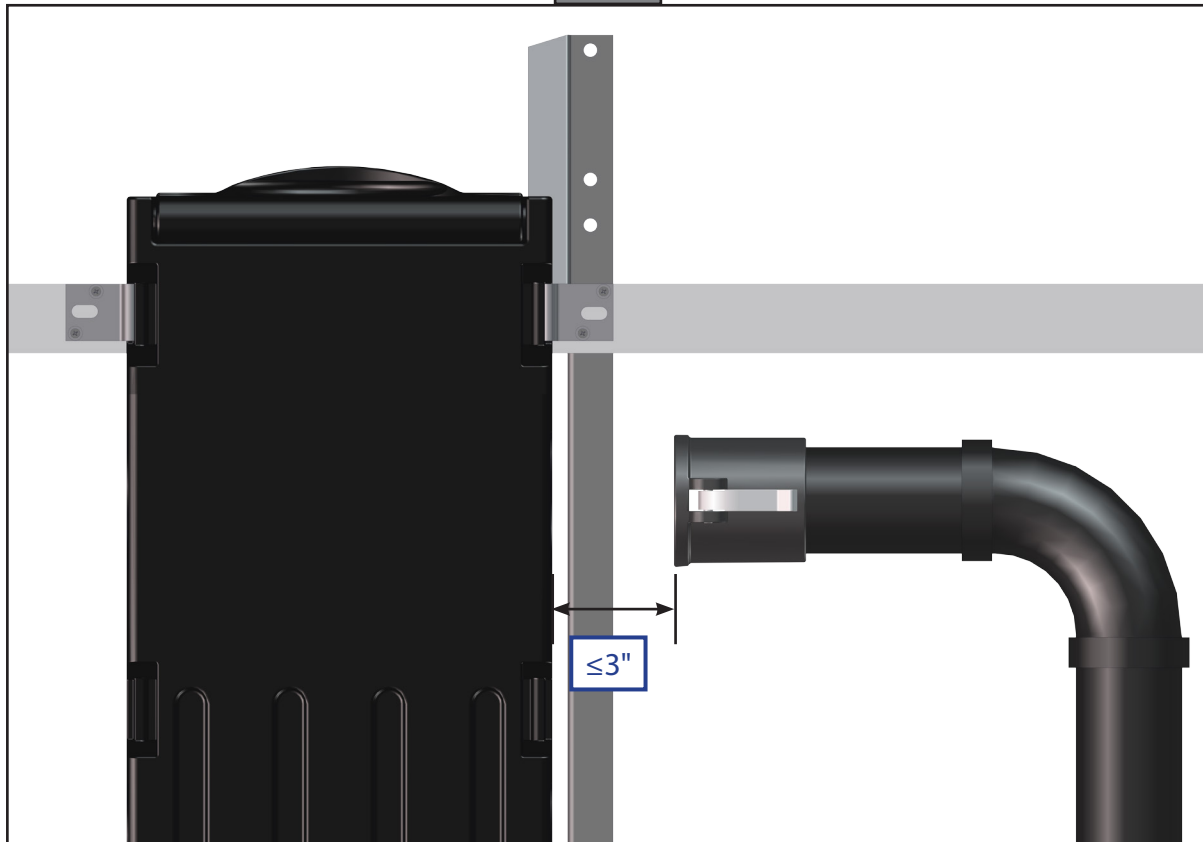


Fig. 4

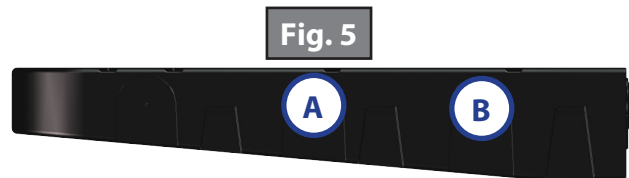


Prior To Storage Box Installation

The storage box will be used for permanent hose connection to the RV holding tank outlet pipe:

- Choose a location in close enough proximity to the holding tank outlet pipe for permanent connection.
- The box should be within 3" of the female cam lock on the holding tank outlet pipe.
- Prior to installation, drill a 4" hole in the side of the box in one of two locations (Fig. 5A or 5B).

NOTE: Do **NOT** cut 4" hole in the box if it will be used for storage only and not permanent connection.



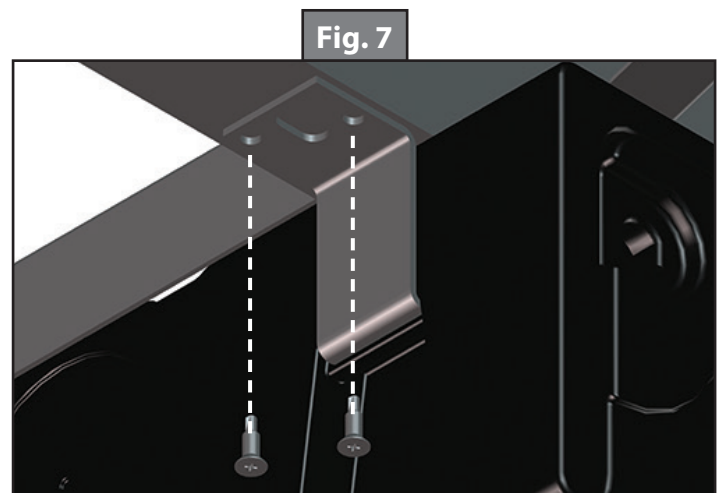
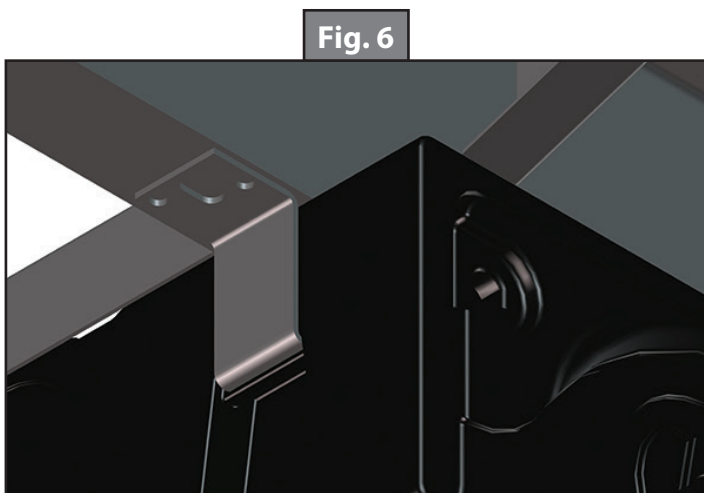
Storage Box Installation

1. Underneath the coach, locate two preferred crossmembers for the installation of the Waste Master® storage box. Adding a 2x4 or other structural piece to span between crossmembers may be required.
2. Before storage box installation, check underbelly vicinity near crossmember for obstructions. Unscrew the underbelly from the crossmember and use a flashlight to check for impediments, wiring or plumbing.
3. Re-insert screws removed from underbelly.



Failure to check the underbelly for obstructions may result in damage to the coach systems and components.

4. While holding the front of the storage box flush to the I-beam on the frame of the coach, dry fit one of the included Z brackets to the I-beam (Fig. 6).
5. When a satisfactory dry fit has been achieved, install the Z bracket to the I-beam using two $\frac{3}{8}$ - 12 x 1 self-drilling screws (Fig. 7).
6. Mount the remaining Z brackets to the crossmembers located in Step 1 above using two $\frac{3}{8}$ - 12 x 1 self-drilling screws per bracket (Fig. 7).



7. Insert the Waste Master® hose end, which has the 3" male cam lock fitting (Fig. 3), into the previously installed storage box through the opening at the end of the box. From the inside of the box, push the male cam lock fitting out through the 4" hole in the side.
8. With the cam lock arms in the open position (Fig. 8) insert the male cam lock fitting into the female cam lock (Fig. 9). Lock the hose in place by pushing the arms down against the side of the female cam lock.

NOTE: Inserting the cam lock cap is required during storage and transportation of the unit if the male cam lock fitting on the hose is not locked into the female cam lock fitting. To install the cap, start with the arms on the female cam lock in the open position. Insert the cap and lock it in place by pushing the arms down against the side of the female cam lock.

Fig. 8



Fig. 9





L I P P E R T C O M P O N E N T S®

The contents of this manual are proprietary and copyright protected by Lippert Components, Inc. ("LCI"). LCI prohibits the copying or dissemination of portions of this manual unless prior written consent from an authorized LCI representative has been provided. Any unauthorized use shall void any applicable warranty. The information contained in this manual is subject to change without notice and at the sole discretion of LCI. Revised editions are available for free download from www.lci1.com.

Please recycle all obsolete materials.

For all concerns or questions, please contact
Lippert Components, Inc.

Ph: (574) 537-8900 | Web: lci1.com | Email: customerservice@lci1.com