


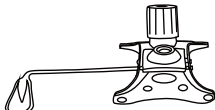
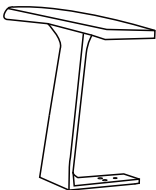

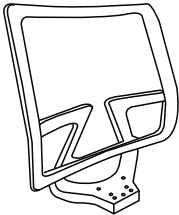


LANGRIA

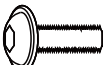
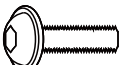
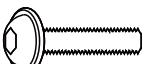


ASSEMBLE INSTRUCTION

LANGRIA
PARTS LIST

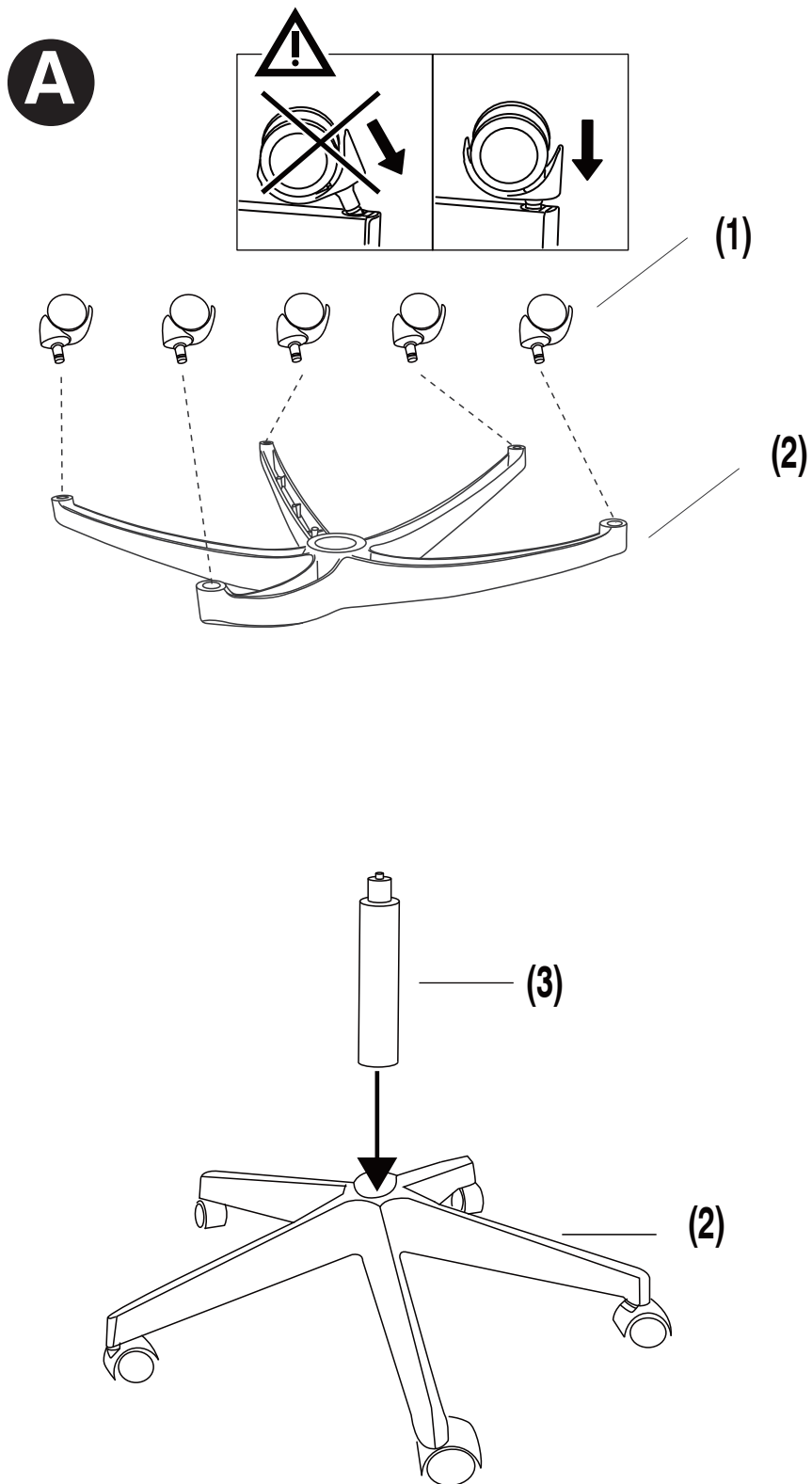
Please check and make sure that you have all the parts ready before beginning assembly

(1) Castors	(2) Base	(3) Gas lift	(4) Mechanism
 X5			
(5) Armrests	(6) Seat	(7) Back	
 X2			

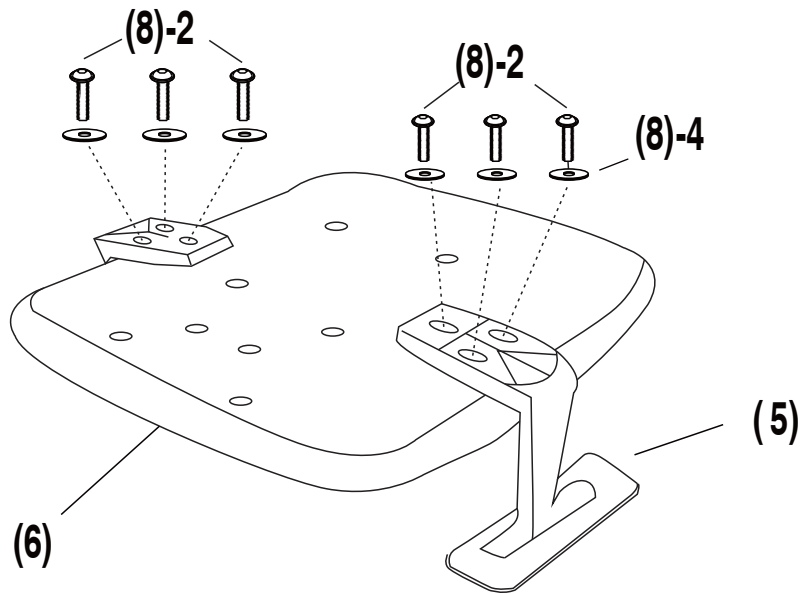
(8)

- | | | |
|----|---|---------------|
| 1. |  | X4(M6*20mm) |
| 2. |  | X8(M6*35mm) |
| 3. |  | X2(M6*40mm) |
| 4. |  | X10(6*16mm) |
| 5. |  | X1(5*25*65mm) |

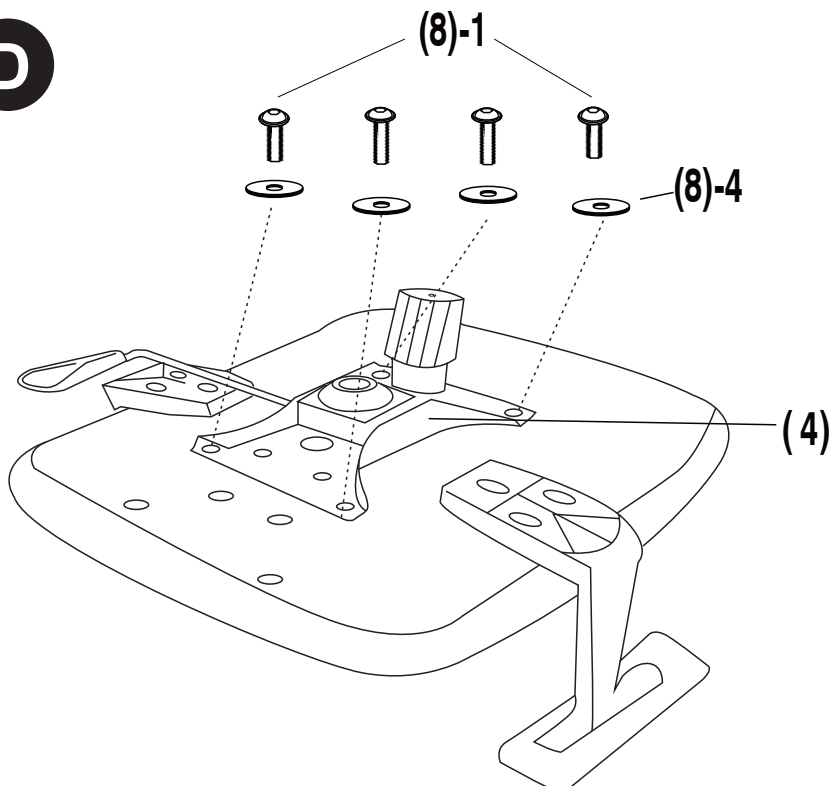
LANGRIA
ASSEMBLY STEPS



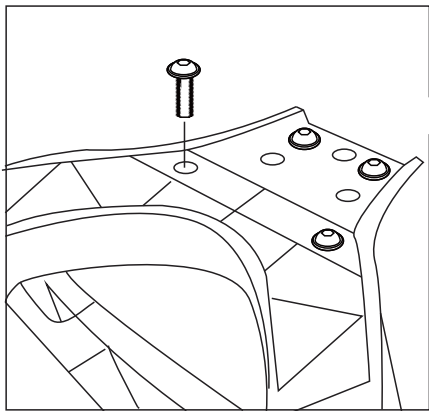
C



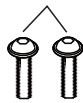
D



E



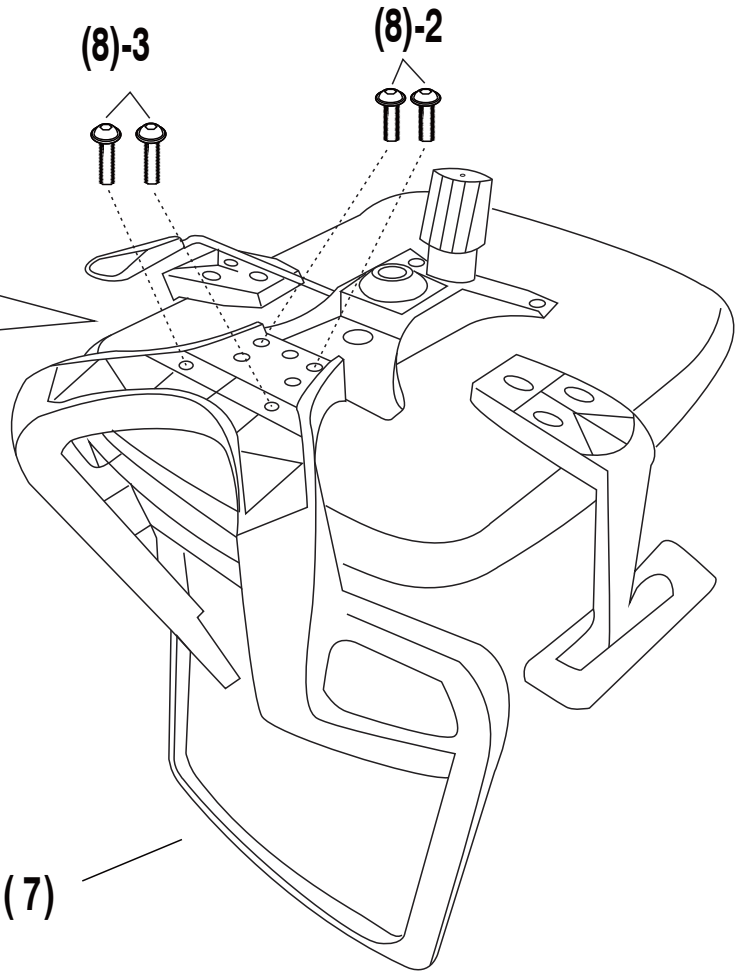
(8)-3



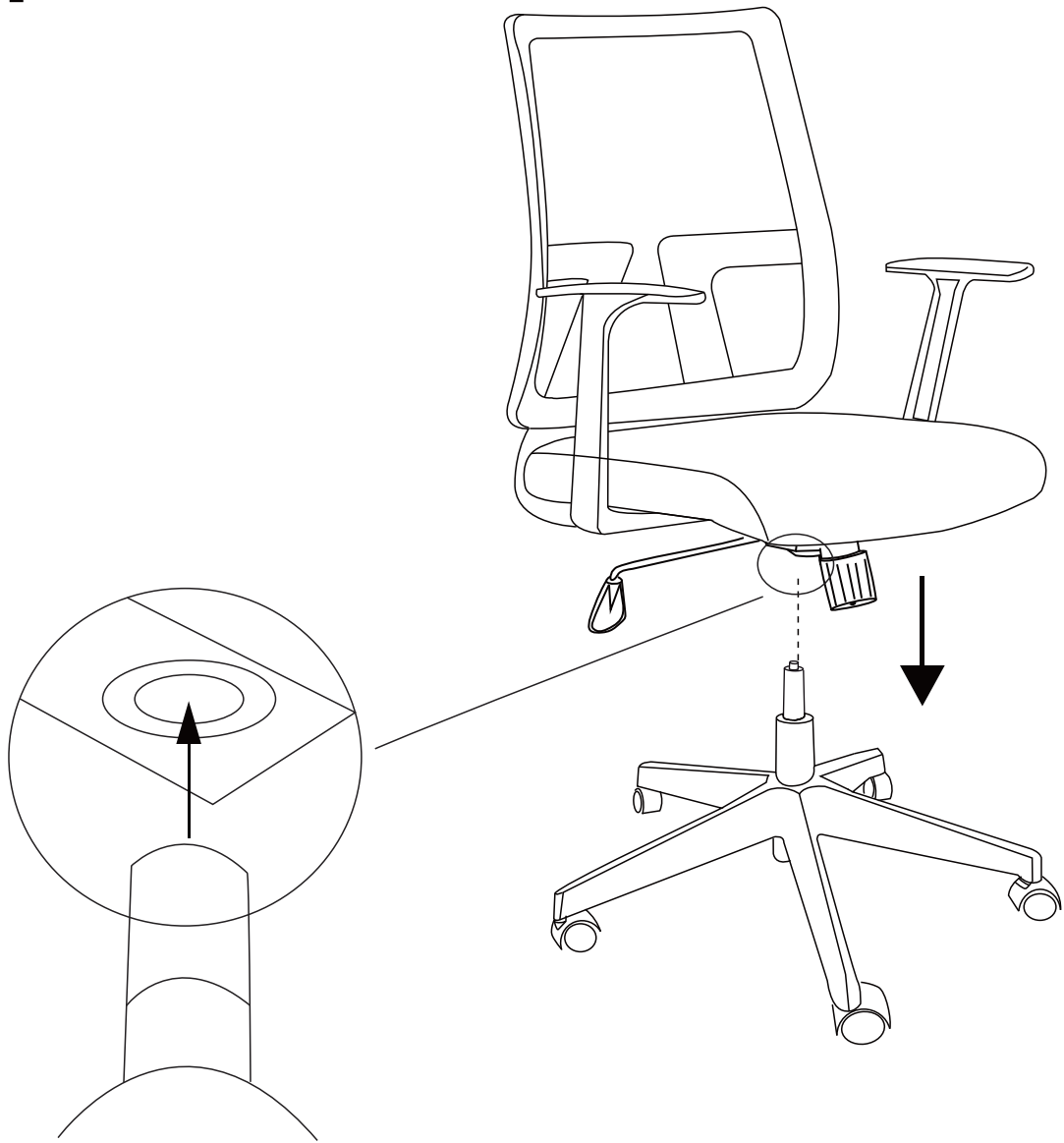
(8)-2



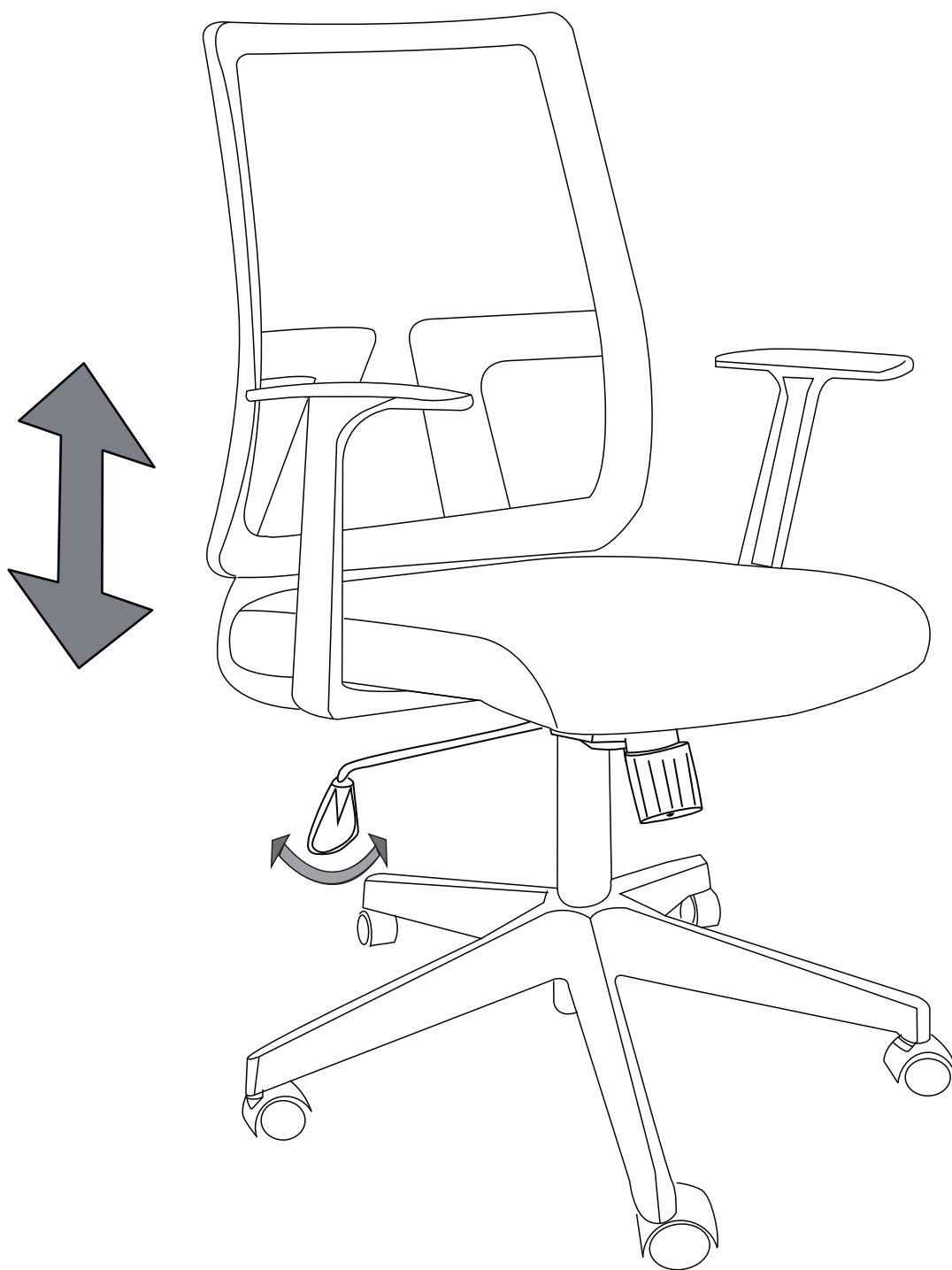
(7)



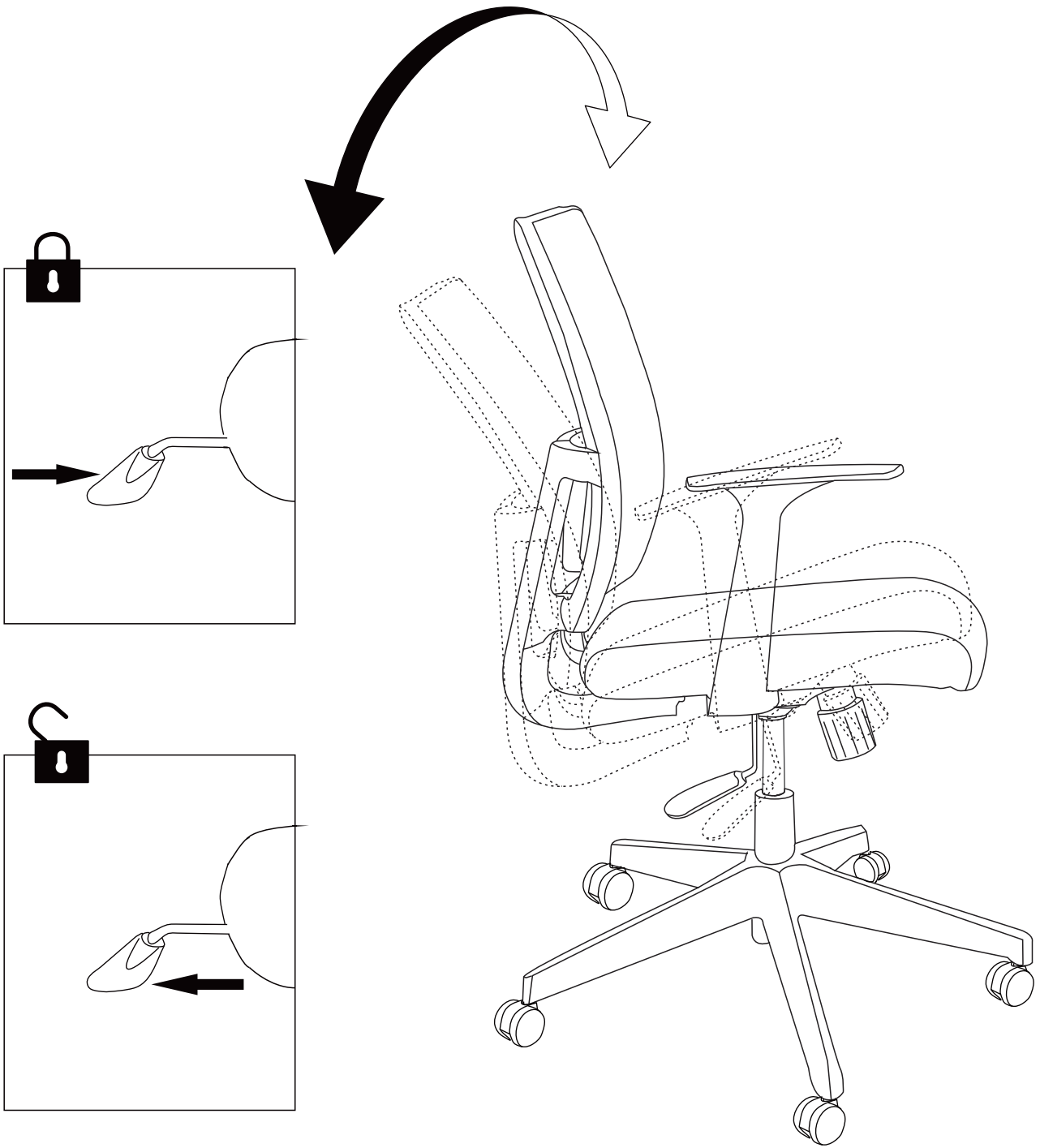
F



Heinght adjustable



tilt & one position locking







www.langria.com
E-mail: support@langria.com