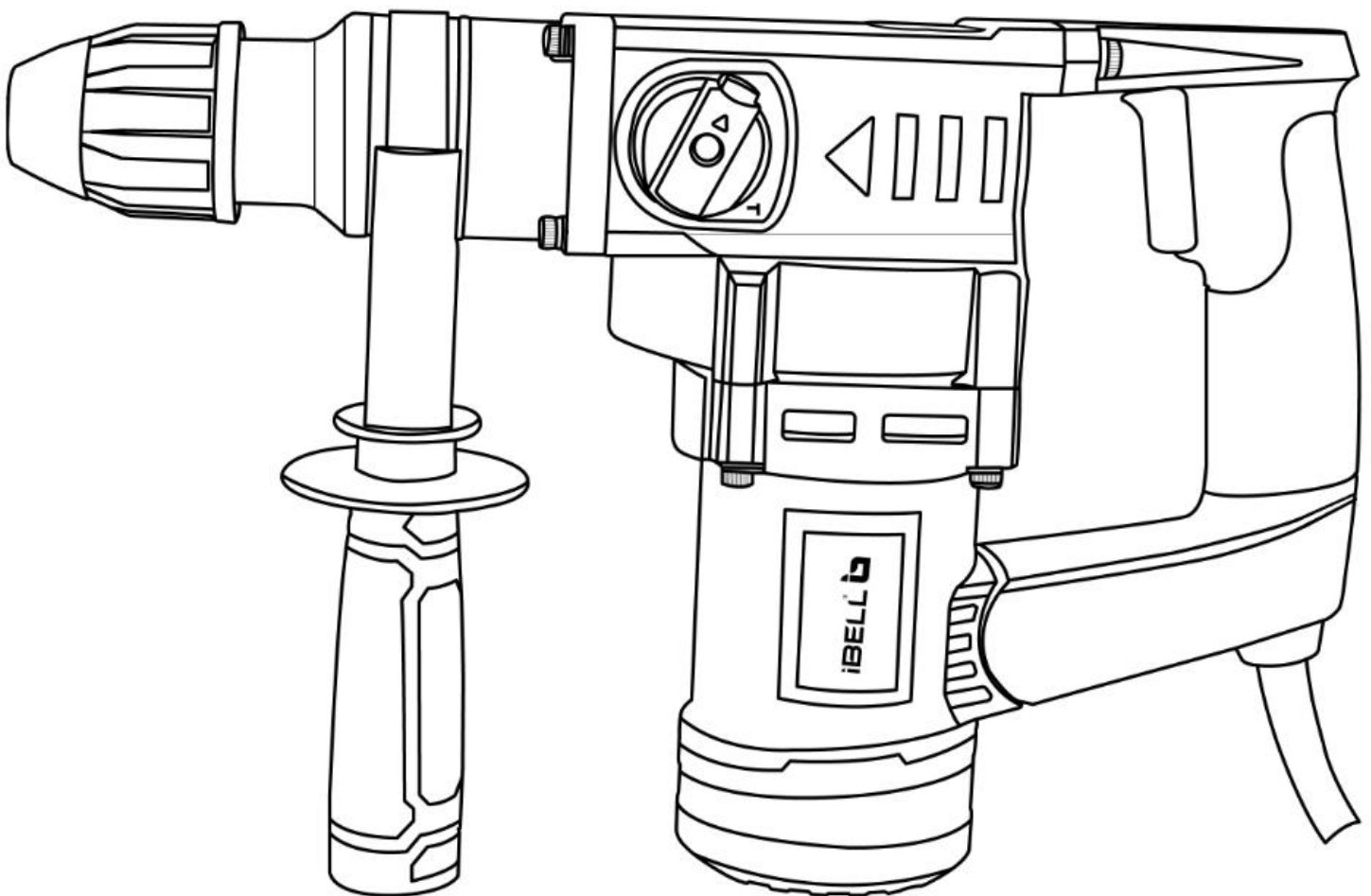




REGISTER YOUR TOOLS
www.ibelltools.com
1800 103 4090

OPERATOR'S MANUAL



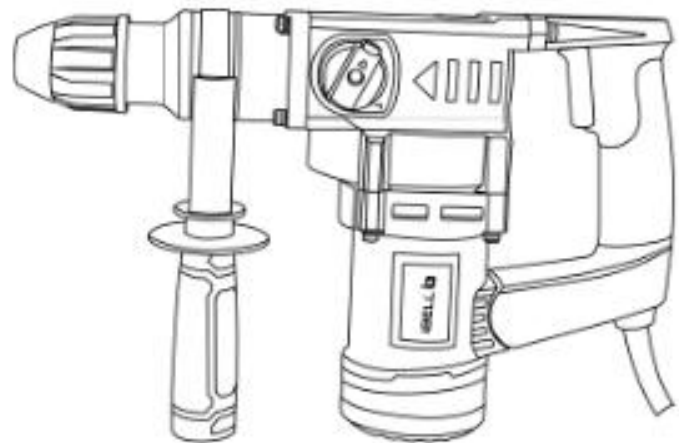
HEAVY ROTARY HAMMER CORE DRILL

RH28-101

<Read manual carefully before using>

TABLE OF CONTENTS

1. GENERAL POWER TOOL SAFETY WARNINGS	3
2. ROTARY HAMMER SAFETY WARNINGS	6
3. PRODUCT OVERVIEW	7
4. PRODUCT SPECIFICATIONS	8
5. SETUP	9
6. PRODUCT FUNCTIONS AND ASSEMBLY	10
7. GENERAL OPERATION	13
8. TROUBLESHOOTING	15



IBL RH28-101

GENERAL POWER TOOL SAFETY WARNINGS

⚠ WARNING! Read all safety warnings, instructions, illustrations and specifications provided with this power tool. Failure to follow all instructions listed below may result in electric shock, fire and/or serious injury. Save all warnings and instructions for future reference. The term “power tool” in the warnings refers to your mains-operated (corded) power tool or battery-operated (cordless) power tool

WORK AREA SAFETY

- **Keep work area clean and well lit.** Cluttered or dark areas invite accidents.
- **Do not operate power tools in explosive atmospheres, such as in the presence of flammable liquids, gases or dust.** Power tools create sparks which may ignite the dust or fumes.
- **Keep children and bystanders away while operating a power tool.** Distractions can cause you to lose control.

ELECTRICAL SAFETY

- **Power tool plugs must match the outlet. Never modify the plug in any way.** Do not use any adapted plugs with earthed(grounded) power tools. Modified plugs and un-matching outlets will increase the risk of electric shock.
- **Avoid body contact with earthed or grounded surfaces, such as pipes, radiators, ranges and refrigerators.** There is an increased risk of electric shock if your body is earthed or grounded.
- **Do not expose power tools to rain or wet conditions.** Water entering a power tool will increase the risk of electric shock.
- **Do not abuse the cord.** Never use the cord for carrying, pulling or unplugging the power tool. Keep it away from heat, oil, sharp edges or moving parts.
- **When operating a power tool outdoors, use an extension cord suitable for outdoor use.** Use of a cord suitable for outdoor use reduces the risk of electric shock.

PERSONAL SAFETY

- **Stay alert, watch what you are doing and use common sense when operating a power tool.** Do not use a power tool while you are tired or under the influence of drugs or alcohol. A moment of inattention while operating power tools may result in serious personal injury.
- **Use personal protective equipment.** Always wear eye protection. Protective equipment such as a dust mask, non-skid safety shoes, hard hat, or hearing protection used for appropriate conditions will reduce personal injuries.
- **Prevent unintentional starting.** Ensure the switch is in the off-position before connecting to power source and/or battery pack, picking up or carrying the tool.
- **Remove any adjusting key or wrench before turning the power tool on.** A wrench or a key left attached to a rotating part of the power tool may result in personal injury.
- **Do not overreach.** Keep proper footing and balance at all times. This enables better control of the power tool in unexpected situations.
- **Dress properly, say no to loose clothing or jewellery.** Keep your hair, clothing away from moving parts. Loose clothes, jewellery or long hair can be caught in moving parts.
- **If devices are provided for the connection of dust extraction and collection facilities, ensure these are connected and properly used.** Use of dust collection can reduce dust-related hazards.

SERVICE

- **Have your power tool serviced by a qualified repair-person** using only identical replacement parts. This will ensure that the safety of the power tool is maintained.
- **When servicing a power tool, use only identical replacement parts.** Follow instructions in the maintenance section of this manual. Use of unauthorized parts or failure to follow maintenance instructions may create a risk of shock or injury.

POWER TOOL USE AND CARE

- **Do not force the power tool.** Use the correct power tool for your application. The correct power tool will do the job better and safer at the rate for which it was designed.
- **Do not use the power tool if the switch does not turn it on and off.** Any power tool that cannot be controlled with the switch is dangerous and must be repaired.
- **Disconnect the plug from the power source and/or the battery pack from the power tool before making any adjustments, changing accessories, or storing power tools.** Such preventive safety measures reduce the risk of starting the power tool accidentally.
- **Store idle power tools out of the reach of children and do not allow persons unfamiliar with the power tool or these instructions to operate the power tool.** Power tools are dangerous in the hands of untrained users.
- **Keep cutting tools sharp and clean.** Properly maintained cutting tools with sharp cutting edges are less likely to bind and are easier to control.
- **Keep handles and grasping surfaces dry, clean and free from oil and grease.** Slippery handles and grasping surfaces do not allow for safe handling and control of the tool in unexpected situations.

RESIDUAL RISKS

Even if you are operating this product in accordance with all the safety requirements, potential risks of injury and damage remain. The following dangers can arise:

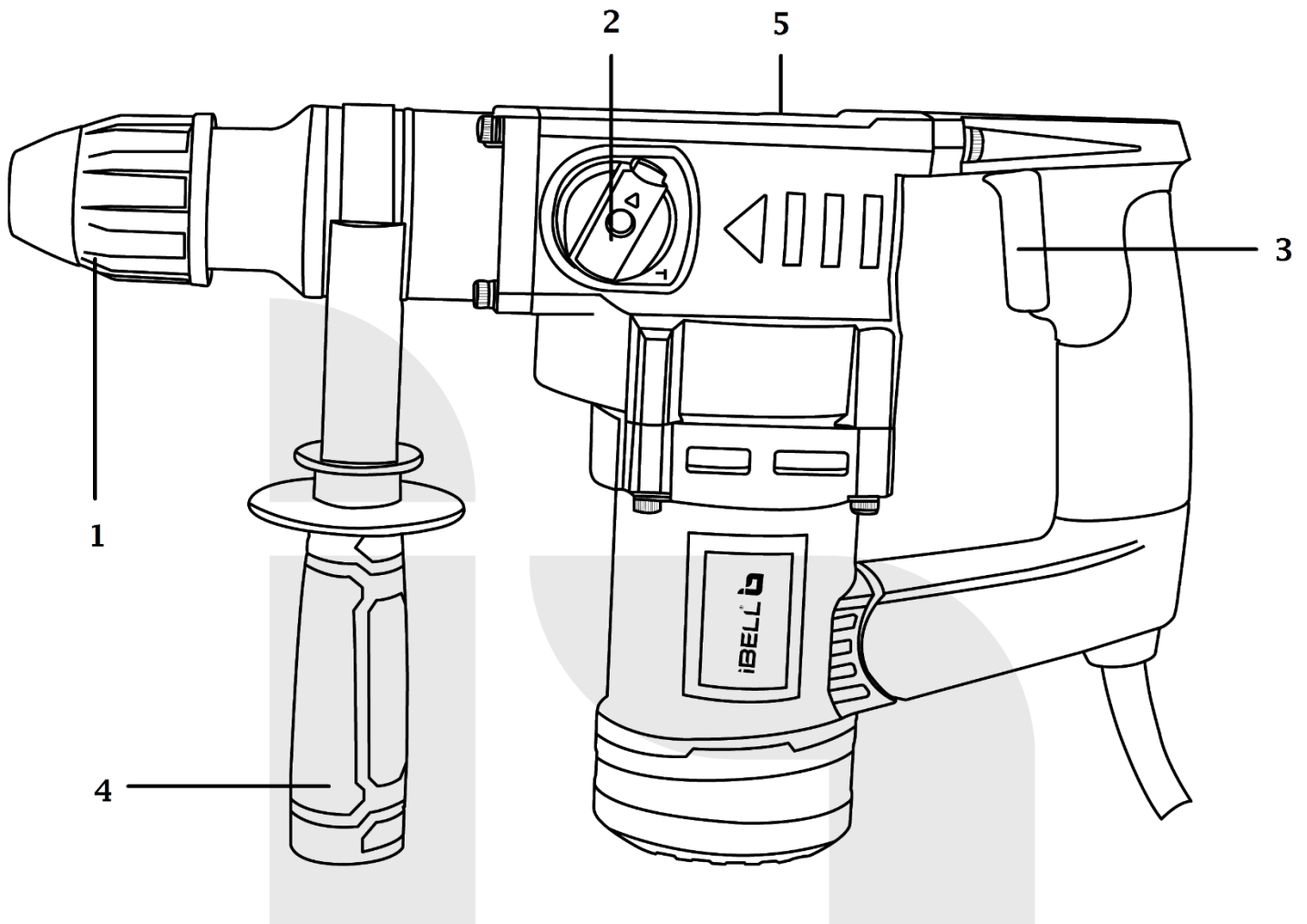
- Health defects resulting from vibration emission if the product is being used over long periods of time or not adequately managed and properly maintained.
- Injuries and damage to property due to broken cutting attachments or the sudden impact of hidden objects during use.
- Danger of injury and property damage caused by other objects or due to natural reactions or calamities.

ROTORY HAMMER SAFETY WARNINGS

- **Wear ear protectors.** Exposure to noise can cause hearing loss.
- **Use auxiliary handle supplied with the tool.** Loss of control can cause personal injury.
- **Hold power tools by insulated gripping surfaces when performing an operation where the cutting tool may contact hidden wiring or its own cord.** Contact with a “live” wire will make exposed metal parts of the tool “live” and shock the operator.
- **Use clamps or other practical way to secure and support the work piece to a stable platform.** Holding the work by hand or against your body is unstable and may lead to loss of control.
- **Wear safety goggles or other eye protection.** Hammering operations cause chips to fly. Flying particles can cause permanent eye damage. **Wear a dust mask or respirator for applications that generate dust.** Ear protection may be required for most applications.
- **Keep a firm grip on the tool at all times.** Do not attempt to operate this tool without holding it with both hands. It is recommended that the auxiliary handle be used at all times. Operating this tool with one hand will result in loss of control. Breaking through or encountering hard materials such as reinforcing bar may be hazardous as well. Tighten the auxiliary handle securely before use.
- **Do not operate this tool for long periods of time.** Vibration caused by hammer action may be harmful to your hands and arms. Use gloves to provide extra cushion and limit exposure by taking frequent rest periods.
- **Do not recondition bits yourself.** Chisel reconditioning should be done by an authorized specialist. Improperly reconditioned chisels could cause injury.
- **Wear gloves when operating tool or changing bits.** Accessible metal parts on the tool and bits may get extremely hot during operation. Small bits of broken material may damage bare hands.



PRODUCT OVERVIEW



1. SDS Plus Chuck/Tool Holder
2. Mode Adjustment knob with button
3. ON/OFF Switch
4. Auxiliary Handle
5. Grease box cover

PRODUCT SPECIFICATIONS

Rated voltage	: 220V~50Hz
Rated Input Power	: 1000W
Rated no load speed	: 750 rpm
Weight	: 4.85 Kg
Impact rate at nominal speed	: 4000/min
Impact energy per stroke	: 5 J
Vibration level	: 27 m/s ²
SDS plus Chuck capacity	: 26 mm
Max Drill performance	: Concrete - 28 mm Stone - 28 mm
Protection class	: Class II <input type="checkbox"/>

SETUP

UNPACKING AND ENSURING

- Unpack all parts and lay them on flat, stable surface. Remove all packing materials. Make sure the delivery contents are complete and free of any damage. If you find that parts are missing or show damage, do not use the product but contact your dealer. Using an incomplete or damaged product represents a hazard to people and property.
- Ensure that you have all the accessories and tools needed for assembly and operation. This also includes suitable personal protective equipment.

⚠ WARNING! The product must be fully assembled before operation! Do not use a product that is only partly assembled or assembled with damaged parts! Follow the assembly instructions step-by-step and use the pictures provided as a visual guide to easily assemble the product! Do not connect the product to power supply before it is completely assembled!

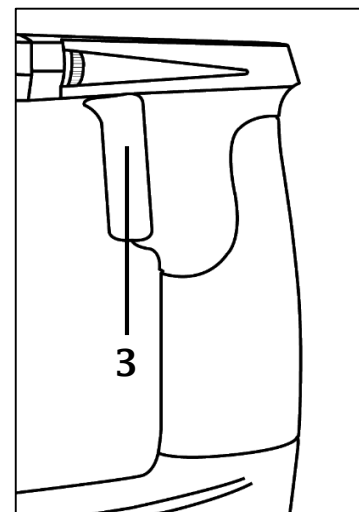
INTENDED USE

- A Rotary hammer is a power tool that can perform heavy-duty tasks such as hammer-drilling and chiselling hard materials. It is similar to a hammer drill in that it also pounds the drill bit in and out while it is spinning. However, rotary hammers use a piston mechanism instead of a special clutch. This causes them to deliver a much more powerful hammer blow, making it possible to drill bigger holes much faster.
- For safety reasons it is essential to read the entire instruction manual before first operation and to observe all the instructions mentioned in it.

PRODUCT FUNCTIONS AND ASSEMBLY

ON/OFF TRIGGER SWITCH AND LOCK BUTTON

To start the tool, simply press the trigger switch (3). Tool speed is increased by increasing pressure on the switch trigger. Release the trigger switch to stop.



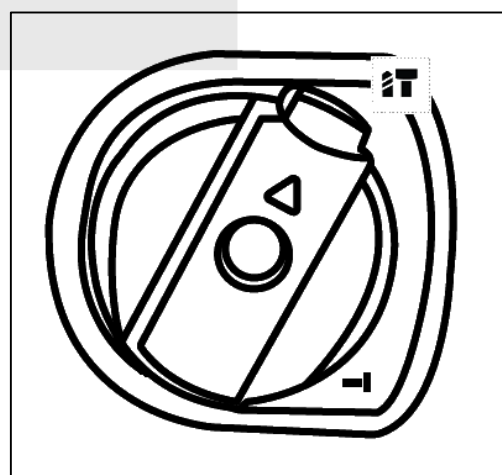
⚠ WARNING! Before plugging in the tool, always check that the switch trigger actuates properly and returns to the "OFF" position when released.

MODE ADJUSTMENT

It is possible to adjust the mode operation knob (2) to hammering or hammer-drilling operations. To select the operating mode, press the button on the knob first, then turn the knob until it points to the required mode. Release the mode selector and check that it is locked in place.

Never change the mode while the rotary hammer is in running.

Mode	Description
T	<u>Hammering only</u> : for light chipping, chiselling and demolition applications. In this mode the tool can also be used as a lever to free a jammed drill bit.
IT	<u>Hammer-drilling</u> : for concrete and masonry drilling operations.



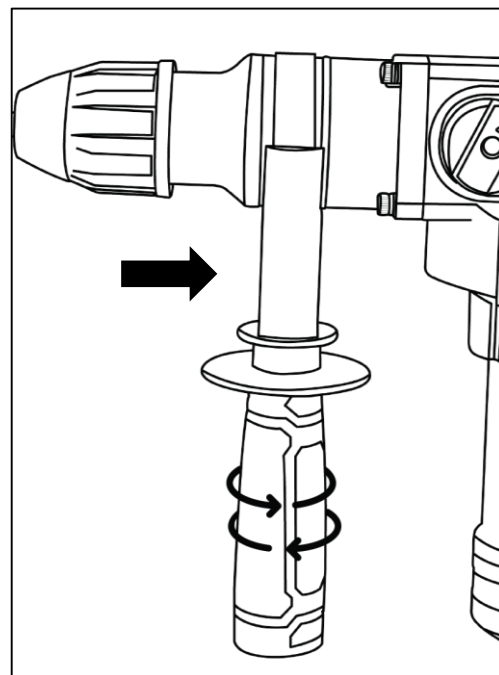
AUXILIARY HANDLE

Proper hand position requires one hand on the side/auxiliary handle (4), while other hand on the main handle.

Always use the auxiliary handle.

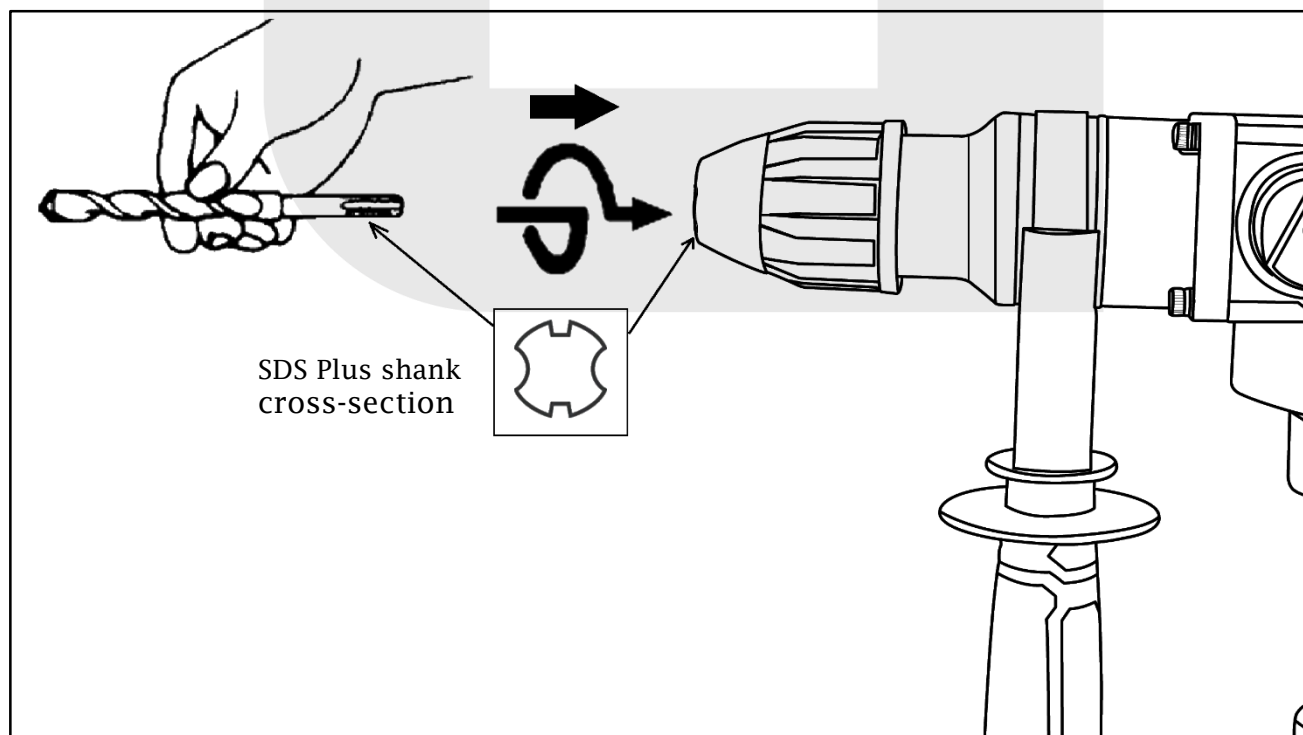
The auxiliary handle can be fitted to suit both right-handed and left-handed users.

- Loosen the auxiliary handle.
- Slide the auxiliary handle clamp over the collar behind the tool holder.
- Rotate the auxiliary handle to the desired position and tighten the handle.



INSERTING AND REMOVING SDS PLUS ACCESSORIES

This tool uses SDS Plus accessories (a cross-section of an SDS Plus bit shank is shown).

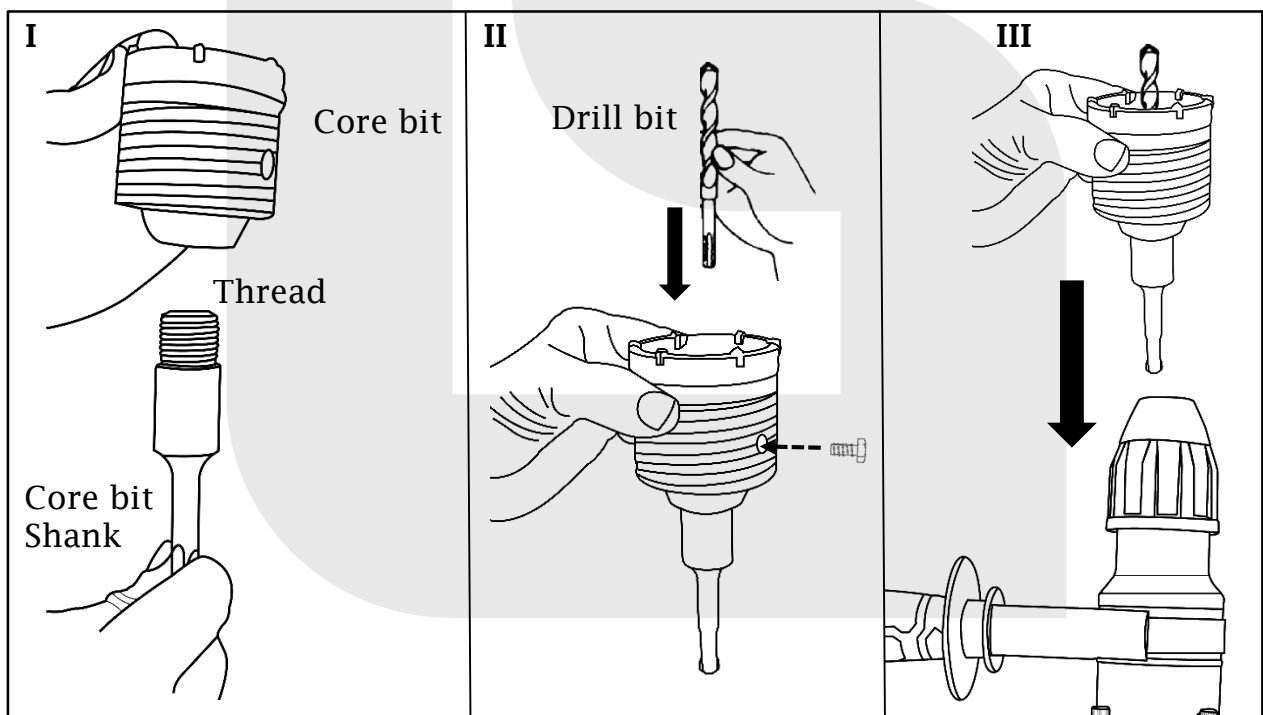


INSERTING/REMOVAL OF BIT:

- Insert the bit shank into the SDS Plus tool holder. Push the bit down and turn it slightly until it fits into the slots.
- Pull on the bit to check if it is properly locked. The hammering function requires the bit to be able to move axially several centimetres when locked in the tool holder.
- To remove a bit, pull back the holder sleeve and pull out the bit.

FITTING THE CORE BIT

When boring penetrating large hole use the core bit (for light load) with the core bit shank provided.



Mount the core bit to the core bit shank. Lubricate the thread of the core bit shank to facilitate disassembly. Mount the core bit shank to the rotary hammer. Then suitable drill or chisel bit can be inserted. When inserting and removing the core bit assembly, turn OFF the switch and disconnect the plug from the power receptacle.

GENERAL OPERATION

- △ **WARNING!** Applying force more than necessary will not only accelerate the work at all, but will worsen the tip edge of the drill bit and reduce the service life of the rotary hammer in addition.
- Always apply pressure to your drill bit in a straight line, and if possible at right angles to the work piece.
 - Never change the operating mode while the rotary hammer is still running.

HAMMER-DRILLING

- Set the mode adjustment knob to 'hammer-drilling' position for concrete and masonry drilling operations.
- Always operate the tool using both the handles. Always hold the product perpendicular to the point to be drilled.
- Always place the drill tip directly on the point to be drilled first and then switch the product on.
- Pre-drill larger holes with a small diameter drill bit first. Doing so makes drilling with a larger diameter drill bit easier. Do not 'always' drill at top speed.
- Switch off the tool when work is finished before unplugging.

HAMMERING

- Set the mode adjustment knob to the 'Hammering only' position for chisel work using hammering. Follow the same procedures mentioned above.

NOTE: Always switch the product off, disconnect the product from the power supply and let the product cool down before performing inspection, maintenance and cleaning work! Only perform repairs and maintenance work according to these instructions! All further works must be performed by a qualified specialist!

CLEANING AND STORAGE

- Do not use chemical, alkaline, abrasive or other aggressive detergents to clean this product as they might be harmful to its surfaces. **Regular and proper cleaning will help ensure safe use and prolong the life of the product.** Clean the product with a dry cloth. Use a brush for areas that are hard to reach.
- **Always store the product in a place that is inaccessible to children.** We recommend using the original package for storage or covering the product with a suitable cloth or enclosure to protect it against dust.

MAINTENANCE AND REPAIR

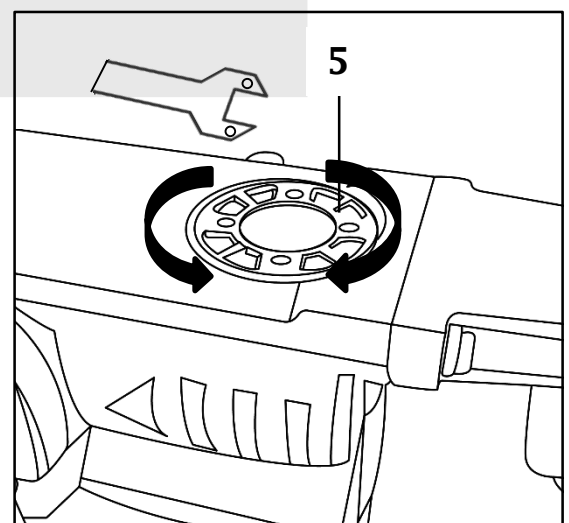
- Before and after each use, check the product and accessories (or attachments) for wear and damage.
- Inspecting the drill bits; Since use of a dull tool will cause motor malfunctioning and degraded efficiency, replace the drill bits with a new one or re-sharpen when abrasion is noted.
- **This product does not contain any parts that can be repaired by the consumer.** Contact an authorised service centre or a similarly qualified person to have it checked and repaired.

LUBRICATION

This power-tool is grease-lubricated.

A grease refill is only required during hammer work efficiency is low. Open the grease box cover (5) at the top of the hammer using the pin spanner wrench provided. Then refill the grease provided with your tool.

Always check there is sufficient grease in the grease box before usage.



TROUBLESHOOTING

Suspected malfunctions are often due to causes that the users can fix themselves, therefore check the product using this section. In most cases the problem can be solved quickly.

Problem	Possible Cause	Solution
1. Product does not start	1.1 No power supply 1.2 Product damaged 1.3 Other electrical defect to the product	1.1 Check the plug on the power supply 1.2 Check it by an electrician 1.3 Check it by an electrician
2. Unsatisfactory result	2.1 Drill bit is worn 2.2 Drill bit not suitable for intended operation	2.1 Replace with a new one 2.2 Use suitable driver bit
3. Product suddenly stops	3.1 Product overloaded	3.1 Remove the product from the work-piece and switch it on again

⚠ WARNING! Only perform the steps described within these instructions! All further inspection, maintenance and repair work must be performed by an authorised service centre or a similarly qualified specialist if you cannot solve the problem yourself!



Waste electrical products should not be disposed of with household waste. Please recycle where facilities exist. Check with your Local Authority or local store for recycling advice.

Do not dispose this product by normal household waste, but take it to a collection point and recycling of electrical and electronic equipment. This is indicated by the symbol on the product, user manual or packaging. Re-use, material utilization or other forms of old appliances, you make an important contribution in protecting our environment.

CONTACT US

**HiTech Machineries & Equipments
IV/540E, Thottumugham, P.O, Aluva
Ernakulam(Dist), Kerala, India- 683105**

Toll Free : 1800 103 4090

Whatsapp : +91 8943 651651

Website : www.ibelltools.com

Email : icare@ibelltools.com

