

## **User Manual of Product 1:**

JBL Xtreme 3 - Portable Bluetooth Speaker, Powerful Sound and deep bass, IP67 Waterproof, 15 Hours of Playtime, powerbank, PartyBoost for Multi-Speaker Pairing (Camo)

## LIMITED WARRANTY



COLAMY promises to repair or replace any COLAMY chair that is found to be defective in material or workmanship within one year from the date of original purchase so long as you, the original purchaser, still owns it. This is your sole and exclusive remedy. This warranty is subject to the provisions below.

This warranty does not apply and no other warranty applies to:



- Normal wear and tear, which are to be expected over the course of ownership.
- Misuse, abuse or excessive use of the product.
- Modifications or attachments to the product that are not approved by COLAMY.
- Products that were not installed, used, or maintained in accordance with product instructions and warnings.
- Products used for rental purposes or unauthorized retail activities

*Seating Usage: Normal use for seating is identified as the equivalent of a single shift, forty- (40) hour workweek. To the extent that a seating product is used in a manner exceeding this, the applicable warranty period will be reduced in a pro-rata manner.*

## RETURN POLICY

We adopt a 30 days return policy which means that all products purchased on this website may be returned to us within the timeframe. You need to contact us within 30 days after the product(s) came into your possession and the product(s) must be returned to us without any undue delays.

Returned products must be returned in the same condition as they were sent and they must be sent in its original packaging.

If the product is not faulty, (i.e. if you changed your mind or if you are unhappy with the product for some other reason), the cost of shipping will fall on you. And it is your responsibility that the package arrives safely to us so we recommend that you use a courier service where it is possible to track the shipment.

If the product is faulty when you receive it please contact us and we will help you out.

We reserve the right to give a partial refund in cases when the product(s) is not in an unused condition, is damaged or have missing parts not due to our error.

## HOW RETURNS WORK

Contact us through the contact form on our website and attach the invoice to the message as a proof of purchase. And please also write the reason for return.

We will then get back to you as soon as possible with information on where to send the product(s).

As soon as we have received the product(s) and made an inspection we will inform you of our decision.

If a refund is approved we will automatically credit the purchase to your credit card or original method of payment.



SCAN THIS QR CODE TO WATCH OUR ASSEMBLY VIDEO FOR THE CHAIR.



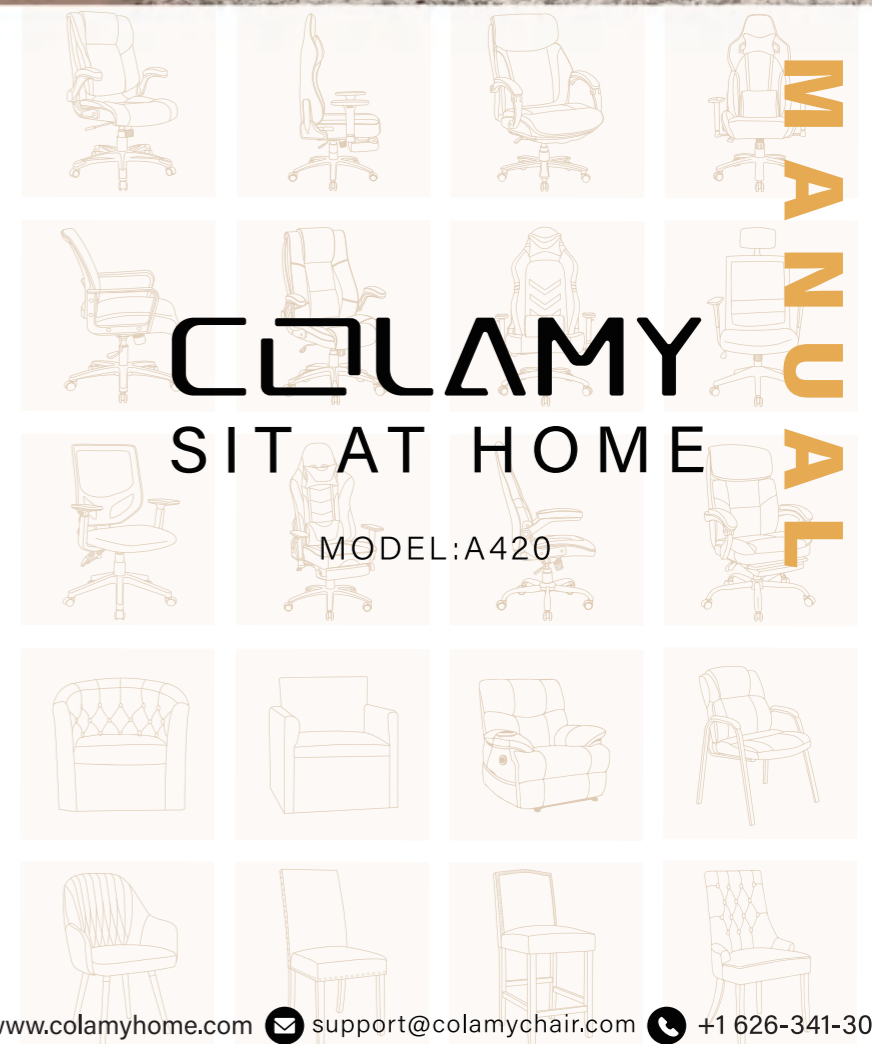
SCAN THIS QR CODE TO WATCH OUR ASSEMBLY VIDEO FOR THE CHAIR.



- [www.colamyhome.com](http://www.colamyhome.com)
- [support@colamychair.com](mailto:support@colamychair.com)
- +1 626-341-3028

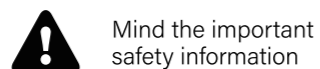
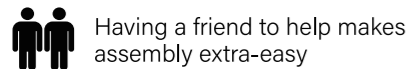


INSTRUCTION

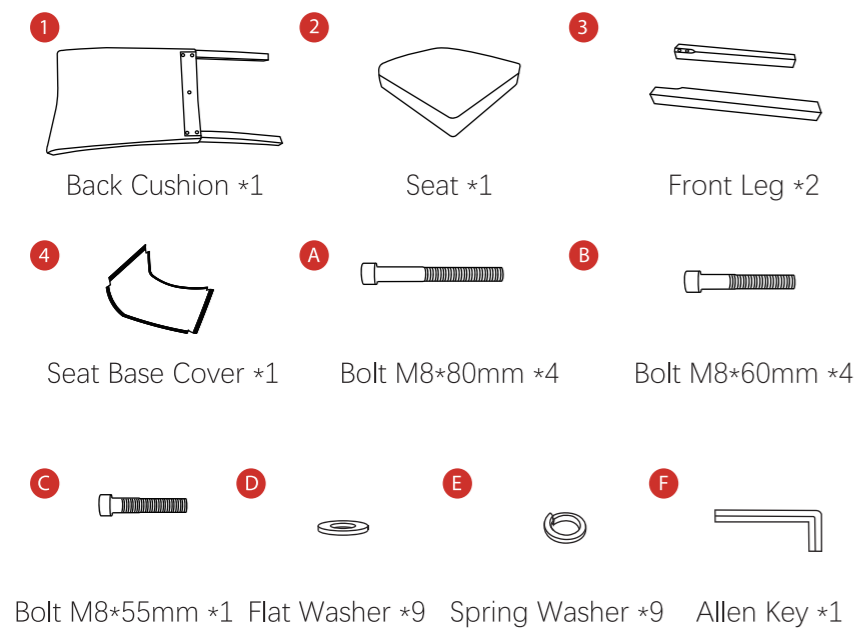


MANUAL

## BEFORE YOU GET STARTED, A FEW POINTERS



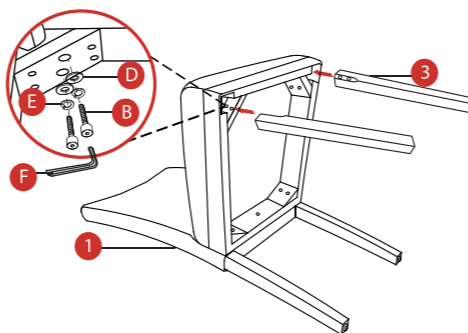
## ★ PLEASE MAKE SURE ALL THE PARTS ARE INCLUDED.



Missing parts? ✉ support@colamychair.com

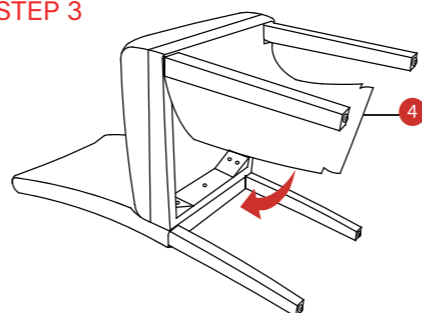
## ASSEMBLY INSTRUCTION

### STEP 2



Attach the 2 Front Legs(3) by using Flat Washer(D), Spring Washer(E), Bolt(B) for each hole and Allen Key(F), please tighten the screws 50%. Now, Adjust the balance of the whole chair and tighten all bolts to 100%, by using the Allen Key(F).

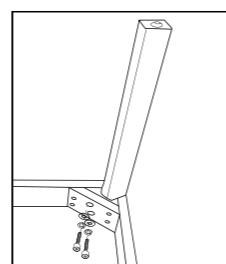
### STEP 3



Finally, velcro the Seat Base Cover(4) back on to the underside of the chair seat. Your chair is ready for use.

## ASSEMBLY INSTRUCTIONS - ATTENTION

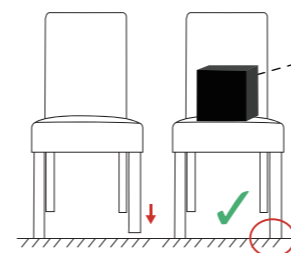
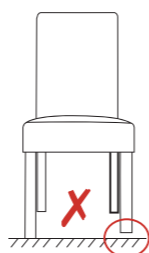
Please read the following instructions to help you assemble the dining chair faster.



50%



1. Partly screw in bolts, but do not fully tighten.



Apply pressure on the seat.(About 20kg)

100%

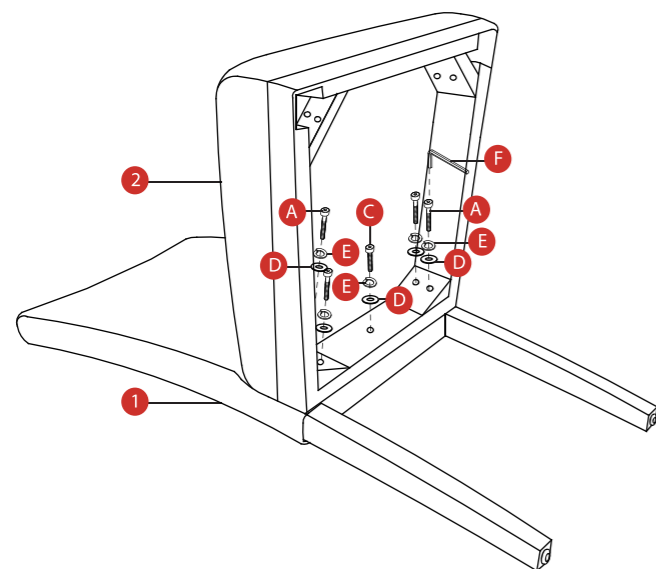


2. Place the chair on a flat surface and apply pressure on the seat. Then tighten the middle bolt on the back, then both bolts on the sides, followed by the front legs. Ensure all bolts are fully tightened before using the chair.

3. If the legs are uneven, you can also adjust the foot pegs at the bottom of the legs to improve balance.

## ASSEMBLY INSTRUCTION

### STEP 1



Remove the velcro under seat, connect Seat(2) to Back cushion(1) with Flat Washer(D), Spring Washer(E), Allen Bolt(A) to each corner hole; using 1 bolt(C), Flat Washer(D), Spring Washer(E) to central hole; tighten with Allen Key(F), please tighten the bolts to 50% at first.

## ⚠ WARNING:

🕒 Read the instructions carefully.

step1 ↓ step2 Please follow the assembly steps.

**Weight Capacity for Seating: 250LBS**

To ensure proper assembly, follow all steps and use all parts. do not use power tools. Failure to follow this warning can result in serious injury to yourself or others.

Please inspect all items before assembly. If for any reason you need to return this item, please kindly return it in it's original packaging.

To avoid misalignments, leave the screws loose and do not tighten them until all are in their respective places.

Do not tighten all bolts and screws completely until the entire unit has been assembled and set up.

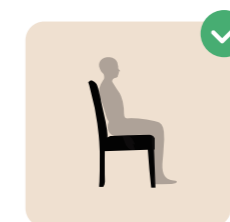
Do not overtighten or force the screws as they could break, strip, or damage the threads of the holes.

Using the wrong size of screws on a part could result in damage to the screw or the part.

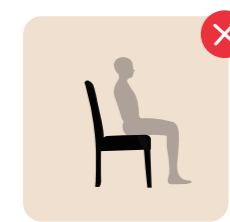
Lubricate all moving parts and tighten all bolts/screws every 6 month or whenever needed.

Do not use if this product become damaged, and/or components are broken or missing.

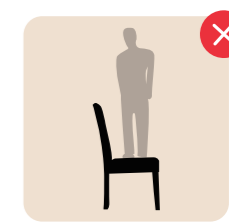
## SAFETY INFORMATION



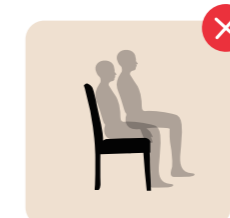
Sit in the center of the chair, with your back to the backrest



Do not sit at the front edge of the chair



Do not stand on the chair



Do not use the chair with more than one person



Do not push the chair around when a person is sitting in it



Do not push down on the backrest when a person is reclined