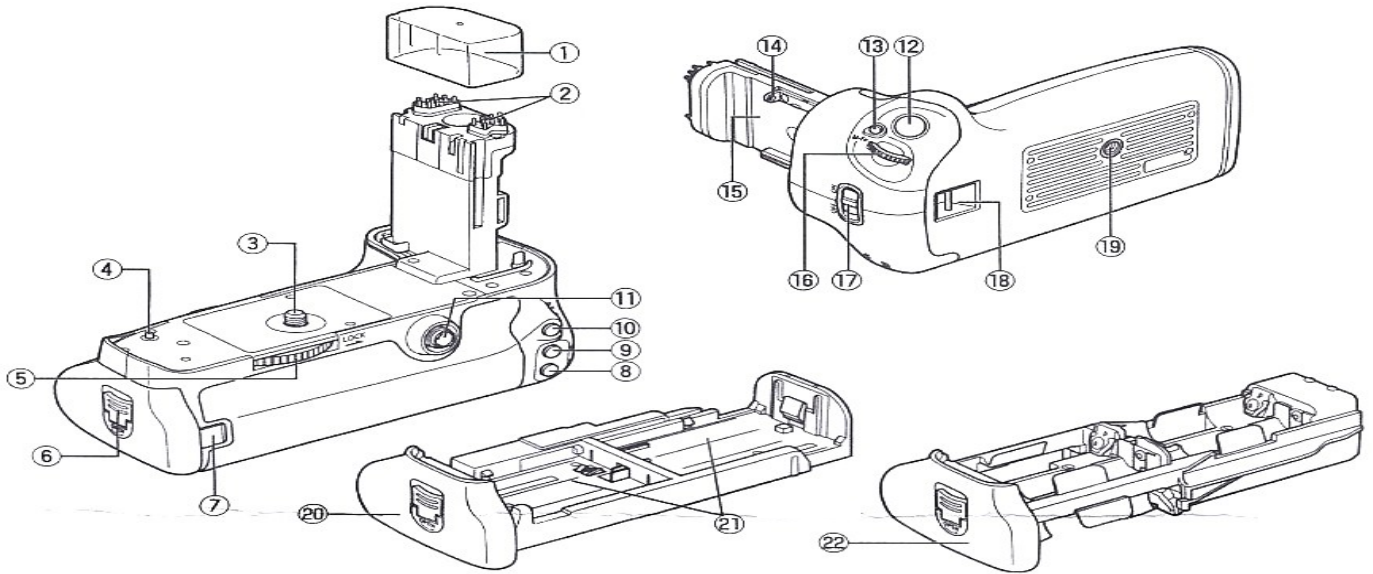


# Battery Grip BG-E11

## Instructions

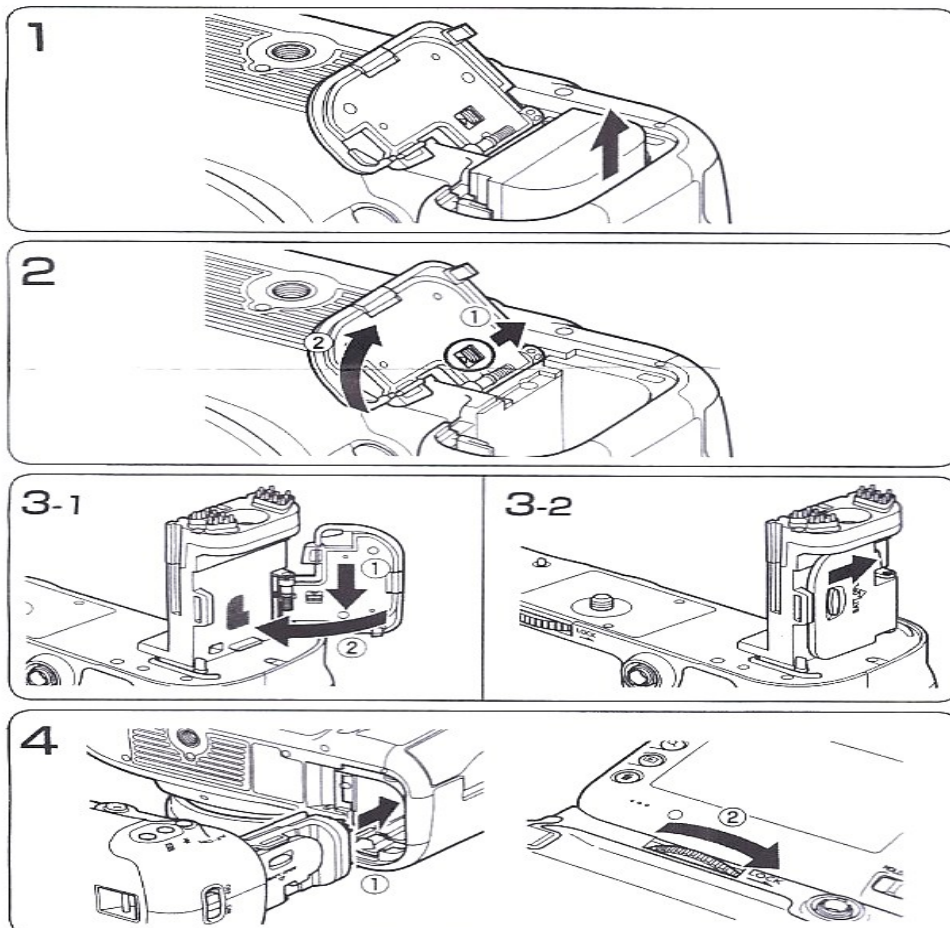


### Nomenclature

① Protective cover. ② Electric contacts. ③ Attachment screw. ④ Guide pin. ⑤ Attach/detach knob. ⑥ Battery magazine release handle. ⑦ DG cord mount. ⑧ AF point selection button. ⑨ AE lock button. ⑩ AF start button. ⑪ Multi-controller. ⑫ Shutter button. ⑬ Multi-function button. ⑭ Camera battery compartment cover holder. ⑮ Camera battery compartment cover slot. ⑯ Main Dial. ⑰ Vertical-grip operation switch. ⑱ Hand strap mount. ⑲ Tripod socket. ⑳ Battery Magazine BGM-E11L (for LP-E6). ㉑ Battery compartment. ㉒ Battery Magazine BGM-E11A (for size-AA/LR6 batteries).

The BG-E11 is a battery grip that can hold two Battery Pack LP-E6 or six size-AA/LR6 batteries. It is also equipped with a vertical-grip shutter button, Main Dial, etc. to enable shooting in the same way as with horizontal grip.

### ■ Attaching to the Camera

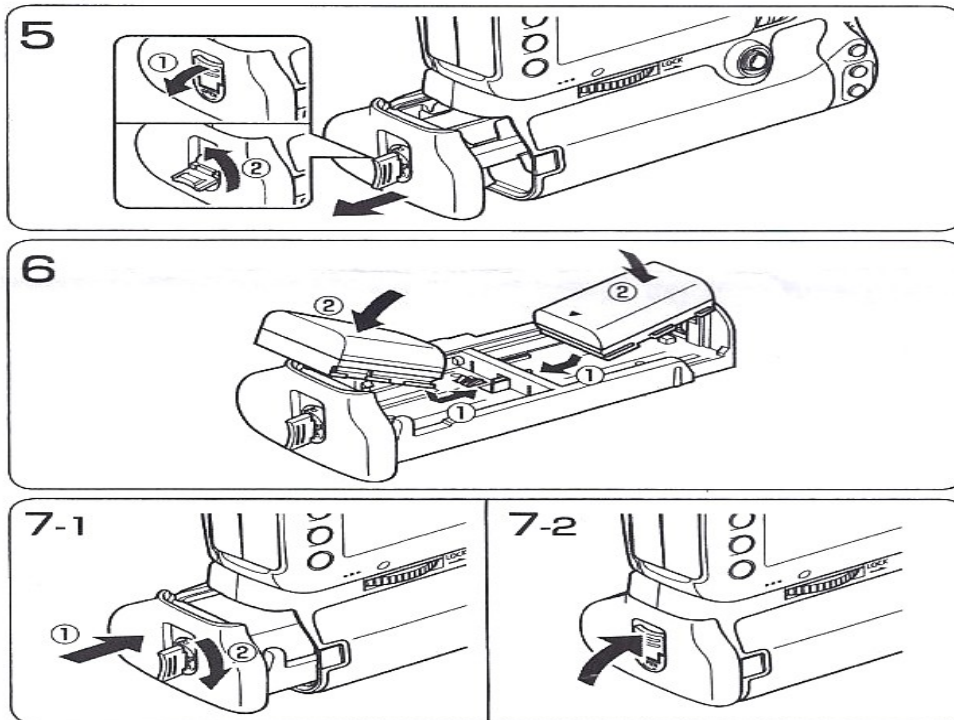


1. Remove the battery from the camera (Fig. 1).
2. Detach the camera's battery compartment cover (Fig. 2).
3. Store the removed battery compartment cover in the storage slot.

- Push the lock lever of the battery compartment cover as shown by the arrow, insert the cover into the battery compartment cover holder(① in Fig. 3-1), and press on the cover until it snaps into place(② in Fig. 3-1).
  - To remove the battery compartment cover, slide the battery compartment cover release lever to unlock it (Fig. 3-2), and then remove the cover by performing the storage procedure in reverse.
4. Remove the protective cover, and then insert the electrical contacts into the battery compartment (Fig. 4-①).
  5. Align the attachment screw with the camera's tripod socket, and then turn the attach/detach knob to tighten securely to the camera (Fig. 4-②).

- ▲ Be sure to attach the battery grip to the camera before inserting the batteries. The results of the battery check may not be displayed properly if you attach the battery grip to the camera with the batteries already inside.
- ▲ Before removing the battery grip from the camera, be sure to turn the camera's power switch to <OFF>, and take out the batteries. After removing the batteries, attach the protective cover to the electrical contacts.

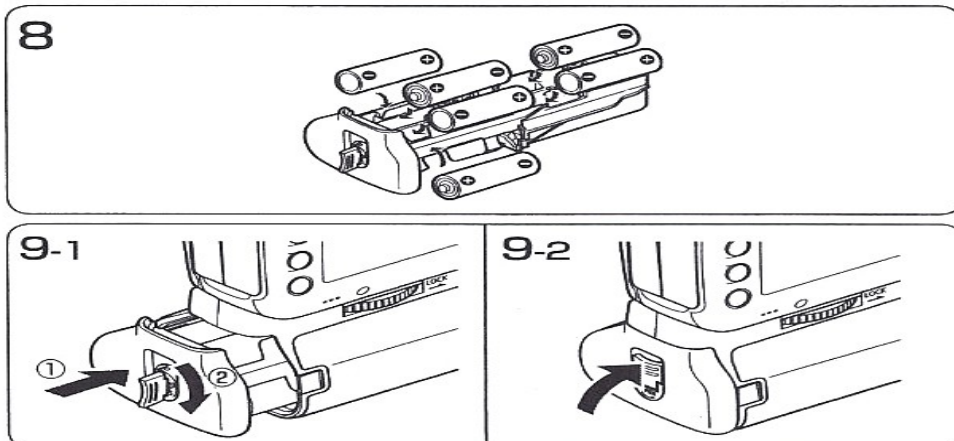
### ■ Installing the Battery Packs



1. After flipping out the release handle, turn it as shown by the arrow, and then pull out the battery magazine (for size-AA/LR6 batteries) (Fig. 5).
2. Insert one or two Battery Pack LP-E6 into the battery magazine (for LP-E6) (Fig. 6).
3. Attach the battery magazine into the battery grip (Fig. 7-1).  
After attaching, check that the battery magazine is securely attached to the battery grip.
4. Close the release handle (Fig. 7-2).

- ▲ If only one battery is used, it may be inserted in either the right or left side.
- ▲ If two batteries are inserted, power is supplied simultaneously by both batteries. Two batteries with different charging levels can be inserted and used without any problems.
- ▲ Remove the battery packs LP-E6 or size-AA/LR6 batteries from the battery grip when the camera will not be used for an extended period.

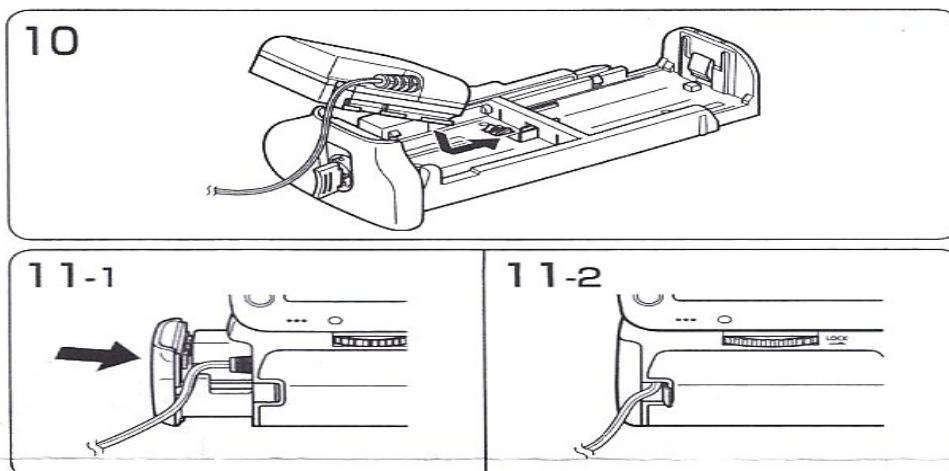
### ■ Inserting Size-AA/LR6 Batteries



1. Insert the batteries into the battery magazine (for size-AA/LR6 batteries) (Fig. 8).  
Make sure the + and - battery contacts are properly oriented as shown in the illustration.
2. Attach the battery magazine into the battery grip (Fig. 9-1).  
After attaching, check that the battery magazine is securely attached to the battery grip.
3. Close the release handle (Fig. 9-2).

- ▲ When size-AA/LR6 batteries are used, the high-speed continuous shooting speed during AI Servo AF will be slower.
- ▲ Because the number of possible shots decreases when using size-AA/LR6 batteries, their usage is recommended only for emergencies. Particularly during Live View shooting and movie shooting, the number of possible shots (movie recording time) is greatly reduced. Depending on the battery brand and storage conditions, the number of possible shots may be further reduced.
- ▲ With size-AA/LR6 batteries, use six new batteries of the same brand at temperatures above 20°C/68°F. The camera may not function when used in low temperatures or when old and new batteries are used together.

## ■ Using a Household Power Outlet

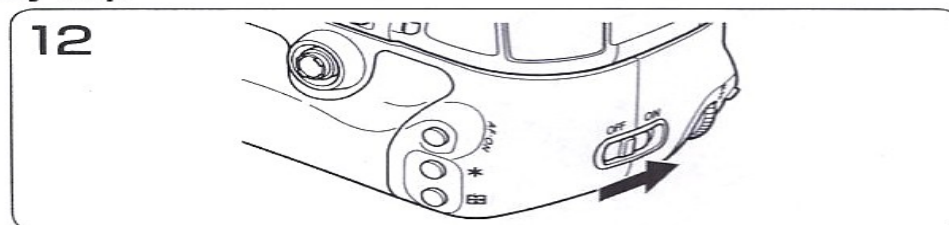


To connect to a household power outlet, use the AC Adapter Kit ACK-E6 (sold separately).

1. Connect the power cord to the AC adapter, and insert the prongs into a power outlet. Connect the DC cord to the DC coupler. (Refer to ACK-E6 Instructions.)
2. Insert the DC coupler into the release-handle-side battery compartment of the battery magazine (for LP-E6) (Fig. 10).
3. Pass the DC cord through the battery magazine cord groove (Fig. 11-1), and attach the battery magazine to the battery grip. When attaching the battery magazine, pass the DC cord through the battery grip DC cord mount (Fig. 11-2).

- ▲ Always set the camera's power switch to <OFF> before disconnecting the power cord.
- ▲ Be careful that the DC cord does not get pinched between the battery grip and the battery magazine.

## ■ Using the Battery Grip



- Turning the vertical-grip operation switch to <ON> (Fig. 12) makes the battery grip buttons and dial function in the same way as those on the camera.
- When shooting in the horizontal-grip position, turn the vertical-grip operation switch to <OFF> so that you do not accidentally use the buttons or dial on the battery grip.
- The battery level can be checked on the camera.
- Refer to the back of this sheet for instructions about the provided soft case.
- Hand Strap E2 (sold separately) can be used for enabling a more secure grip.

## ■ Specifications

### Battery:

- (1) One or two Battery Packs LP-E6
- (2) Six size-AA/LR6 Alkaline batteries
- (3) AC Adapter Kit ACK-E6

### Power switch:

Camera's power switch

### Possible shots:

Refer to your camera's Instruction Manual.

### Working temperature range:

0°C - +40°C / 32°F - +104°F

### Working humidity:

85% or less

### Dimensions:

Approx. 153.1 (W) x 114.5 (H) x 85.3 (D) mm/  
6.0 (W) x 4.5 (H) x 3.4 (D) in.

### Weight:

Approx. 310 g/10.9 oz. (without batteries and battery magazine)

- All the specifications above are based on Canon's testing standards.
- The product specifications and exterior are subject to change without notice.