

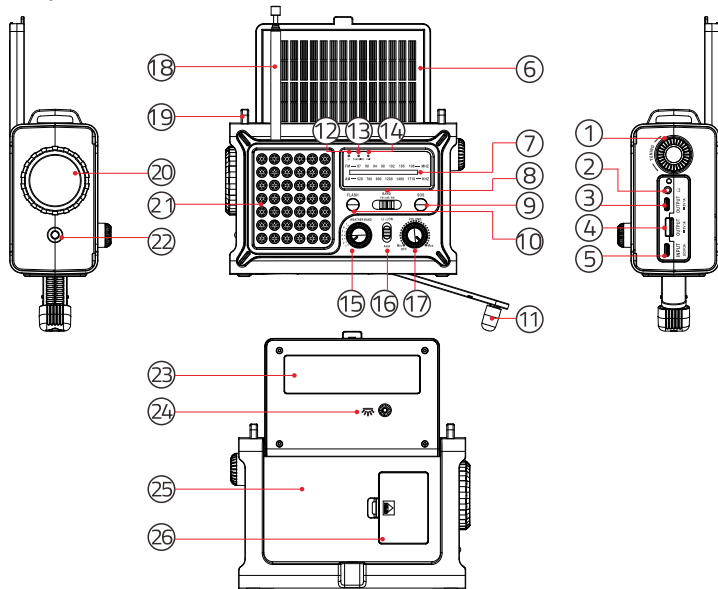
Contact our experts:

CR1030 Emergency Alert Radio with AM/FM/NOAA Weather Bands

CE FC RoHS   Made in China

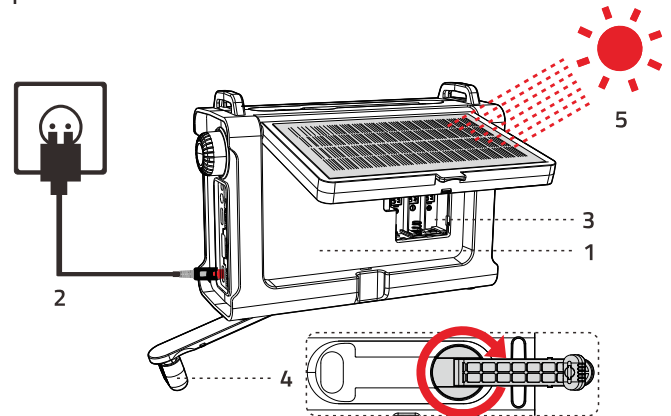
Version 1.0

Chapter 1 LOCATION OF CONTROLS



- | | |
|--------------------------------|-----------------------------------|
| 1. Tuning Knob | 14. Low Power Indicator |
| 2. 3.5mm Headphone Jack | 15. Weather Band Selector |
| 3. Type-C Output Charging Port | 16. Power Selector |
| 4. USB-A Output Charging Port | 17. Power ON/OFF & Volume Knob |
| 5. Type-C Input Charging Port | 18. Telescopic Antenna |
| 6. Solar Panel | 19. Carry Strap Holder |
| 7. Frequency Display | 20. Flashlight |
| 8. Band Selector | 21. Speaker |
| 9. SOS Control Button | 22. SOS Flashlight |
| 10. Flashlight Button | 23. Reading Lamp |
| 11. Crank Handle | 24. Reading Lamp Button |
| 12. Power On Indicator | 25. Built-in Rechargeable Battery |
| 13. Charging Indicator | 26. AAA Battery Compartment Cover |

Chapter 2 POWER SUPPLY MODE



There are 5 power supplies to power the radio:

1. Rechargeable 12000mAh Battery

Switch the power selector to "LI-ION" to use the built-in rechargeable battery.

2. AC Adapter Power Supply

- (1) Plug the Type-C cable into the charging port of the radio.
- (2) Plug the USB-A port end of the cable into a standard 110V-220V outlet to charge the radio.

Note: AC adapter is not included in the package.

Recommended specification : AC 100-240V 50/60Hz input, DC 5V=2A output.

3. AAA Batteries

- (1) Open the battery compartment cover on the back of the unit and insert 3 AAA batteries. Ensuring the polarity is correct.
- (2) Switch the power selector to AAA.

Note: Since AAA batteries provide less current than the built-in rechargeable battery, the SOS alert volume will be lower in AAA battery mode. AAA batteries are not included.

4. Hank Crank Power

- (1) Unfold the crank handle from the bottom and rotate it in either direction.
- (2) Rotate the crank handle at speed of 2 laps per second. It will generate 650mA of electricity to charge the built-in 12000mAh rechargeable battery.

5. Solar Power

- (1) Expose the solar panel to direct sunlight outdoors. Solar charging is less effective indoors.
- (2) The solar panel generates 350mA of electricity to charge the built-in 12000mAh rechargeable battery.

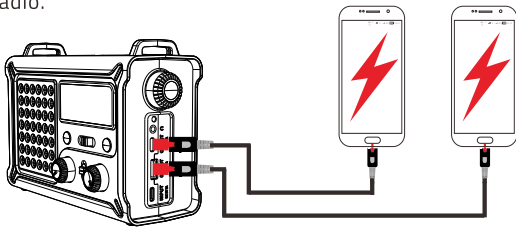
Note: The solar panel generates 350mA when exposed to sunlight, so it may not fully charge the radio. The power is primarily used for battery maintenance.

Chapter 3 POWER INDICATORS

	Flash every second	The battery power is LOW
CHARGING		Red - The battery is charging Green - The battery is fully charged
		The radio is on

Chapter 4 CHARGING EXTERNAL DEVICES

Connect the charging cable to the USB-A / Type-C output port on the right side of the radio.



- 03 -

3. Press again to Brightness Level 2.
4. Press one more time to turn off the lamp.

Chapter 8 FLASHLIGHT

1. Press Flashlight Button to turn on the flashlight to Brightness Level 1, press again to Level 2.
2. Press one more time to turn off the flashlight.

FLASH



Chapter 9 RADIO OPERATE

1. Turn on radio

Rotate the volume control knob to the right, away from the OFF position.

2. Band Selector

Slide the Band Selector to choose the band you want: FM, AM, or Weather Band.

Weather Band: Receives all 7 NOAA weather channels: 162.400MHz / 162.425MHz / 162.450MHz / 162.475MHz / 162.50MHz / 162.525MHz / 162.55MHz.

The corresponding channel numbers on the weather band knob are 1, 2, 3, 4, 5, 6, 7.

AM Band: Receives all local AM stations from 520KHz to 1710 KHz.

FM band: Receives all local FM stations from 87MHz – 108MHz.

3. Volume Control

Rotate the volume control knob to adjust the volume.

4. Tuning

Select the band you want, FM or AM, then rotate the tuning knob slowly until you receive your desired station.

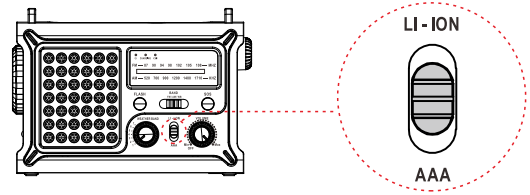
Note:

- (1) For better signal, please extend the telescopic antenna, or use the radio near a window or open space.

- 05 -

If the CR1030 has no power, you can rotate the crack handle for 3-5 minutes. Then your phone will get enough power to start up.

Chapter 5 POWER SWITCH



1. To use the built-in battery, please switch the power selector to the "LI-ION" side.
2. To use the AAA battery, please install 3 AAA batteries, and switch the power selector to the "AAA" side.

Note: Please use a little force to switch the selector, make sure it gets to the very end for power supply.

Chapter 6 SOS ALERT

In an emergency, you can activate the alarm and flashing red light.

1. Hold press the "SOS" button for 2 seconds to set the SOS mode.
2. Press the "SOS" button again to turn off the alert.

SOS



Chapter 7 READING LAMP

1. Flip up the solar panel by 90-180 degrees to use it as a table lamp.
2. Press Reading Lamp Button to turn on the lamp to Brightness Level 1.



- 04 -

- (2) Local Weather Band:

Identify which band receives your local weather report.

If you move to another city or state, you may need to choose a different band for that location.

5. Weather Band

Slide the band selector to WB, choose one of the 7 bands to find your local weather station.

Note: NOAA Weather band is a service broadcast of the U.S. Government and available in all 50 states, Puerto Rico and the U.S. Virgin Islands.

6. NOAA Alert

Once you've selected the weather band, if the National Weather Service issues a severe weather alert, the radio will emit SOS alarm sound along with red light flashes for 9 seconds, then continue to broadcast weather updates.

It is recommended to use the AC adaptor to power the radio when you turn on the NOAA Alert.

Chapter 10 SPECIFICATIONS

FM: 87 - 108 MHz

AM (MW): 520 - 1700 KHz

NOAA Weather: 162.400MHz / 162.425MHz / 162.450MHz /

162.475MHz / 162.500MHz / 162.525MHz / 162.550MHz

Solar Panel Power: 350mA

Crank power: 650mA

Rechargeable battery: 12000mAh Li-ion Battery

Input Charging Interface: Type-C 5V/2A

- 06 -