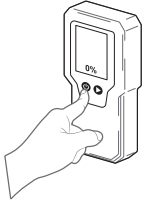


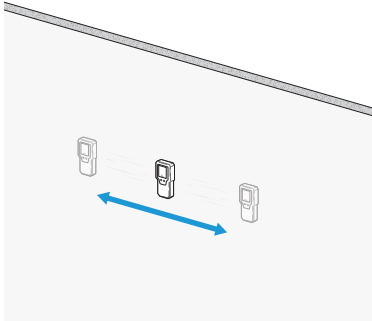
QUESTION ▶ How to Locate Wood Studs and Determine Spacing

Option A: Use an Electronic Stud Finder (Available on Amazon.com)



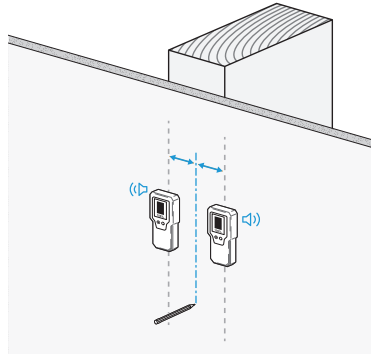
Preparation

Calibrate and operate the stud finder according to the manufacturer's instruction.



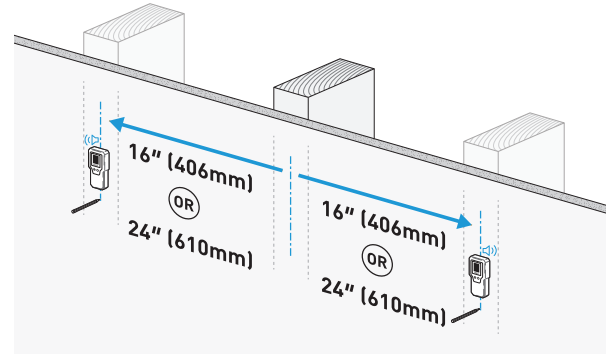
Step 1

Move the stud finder horizontally across the wall at the height where you plan to mount the TV.



Step 2

Mark the edges and center of where the stud finder indicates studs.



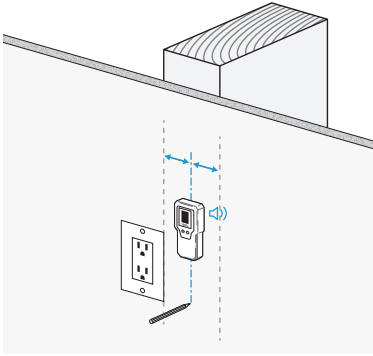
Step 3

Measure 16" (406mm) or 24" (610mm) to the left or right of the studs. Most studs are spaced 16" (406mm) apart in homes, though they can be 24" (610mm) in some cases.

Take multiple measurements to ensure the accuracy of the standard spacing.

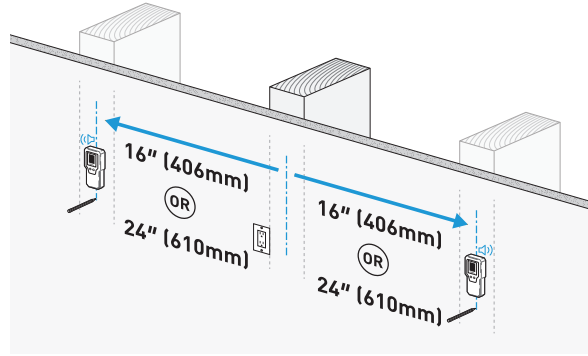
Note: After measurement use the stud finder to confirm the stud edge locations.

Option B: Begin at an Outlet



Step 1

Outlets are usually attached to one side of a stud.
[Use a stud finder to confirm which side of the outlet the wood stud is on and mark the stud location.]



Step 2

Measure 16" (406mm) or 24" (610mm) to the left or right of the studs. Most studs are spaced 16" (406mm) apart in homes, though they can be 24" (610mm) in some cases.

Take multiple measurements to ensure the accuracy of the standard spacing.

Note: After measurement, a stud finder is required for confirmation.