



purO₂xygen

purOxygen

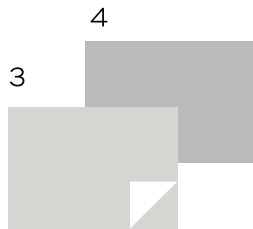
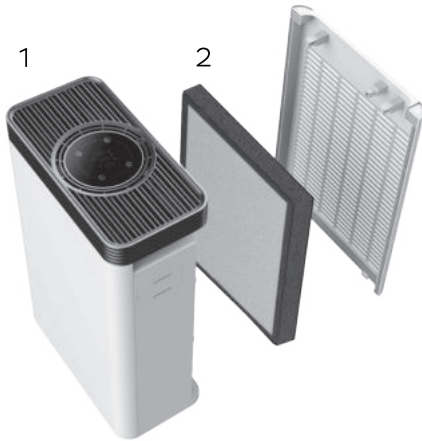
P500

Smart True HEPA
Air Purifier

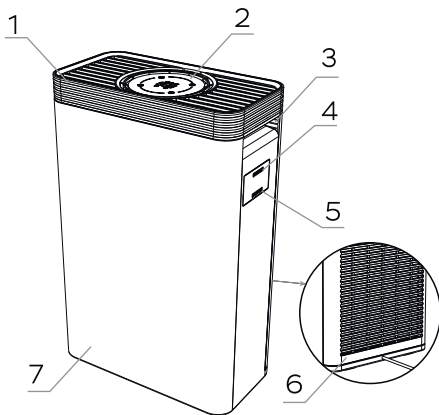
USER'S GUIDE

Thank you for choosing PUROXYGEN P500!

P500 True HEPA Air Purifier cleans the air around you from harmful indoor air pollutants, dust, odors and more. As indoor air quality is becoming increasingly polluted, it is crucial to arm yourself with an air purifier that will protect you and your family against all air contaminants.



1. Air Purifier
2. Combination Filter
3. User's Guide
4. Insert card
5. Remote Control



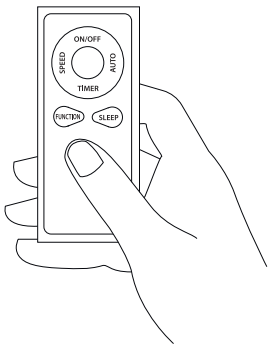
PRODUCT STRUCTURE

1. Air outlet
2. Control Panel/Display Area
3. Buckle/ Handle
4. Sensor
5. Middle frame
6. Front Panel
7. Air inlet

DISPLAY AND TOUCH CONTROL PANEL



- ⏻ **POWER** - On/Off
 - 🔄 **SPEED** - 3 fan speeds and Auto mode
 - 🌙 **SLEEP** - turn the light off and the machine runs at low speed - low noise
 - 🕒 **TIMER** - choose 1-12 hours to turn the machine off
- SLEEP+SPEED** - display temperature
SLEEP+TIMER - turn On/Off child Lock mode
POWER+TIMER - 3sec - reset the filter's life management function



REMOTE BUTTONS

POWER - On/Off

SPEED - 3 fan speeds

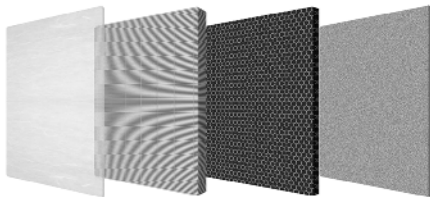
AUTO - turn on Auto mode

TIMER - choose 1-12 hours to turn the machine off

FUNCTION - UV/ION turn On/Off, temperature indication

SLEEP - turn the light off and the machine runs at low speed - low noise

Pre-Filter H11
HEPA Activated
Carbon Cold
Catalyst



CORE FILTRATION SYSTEM

P500 filtration system consists of 5 purification stages with 1 composite filter, UV LED, and negative ION generation.



Dust



Dander



Hair



Pollen



Big
Particles



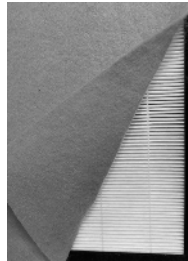
Dust



Micro
particles



Anaphylactogen



Pre-filter

Pre-filter effectively removes dust, hair, dander, large matters that often cause itch, red rash, skin redness, sneezing, runny nose and so on.



HEPA Filtration

Advanced HEPA filters are widely used for the strong adsorption of harmful particles PM2.5 in medical equipment and experiments.

Note (It is recommended to clean the filter once every 2 months, expose the filter to sunlight for 1 to 3 hours or clean the surface with a vacuum cleaner.)



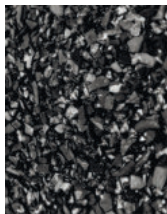
Pet odors



Decoration pollution



Smoke smell



Activated Carbon Filtration

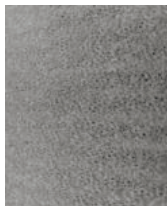
Activated carbon microparticles distributed evenly can fully contact with the air and improve the purification effect. It is 5~10 times more effective than traditional activated carbon.



Decoration pollution



Smoke smell



Cold Catalyst Filtration

This kind of filtration serves as a disinfectant thanks to the UV light. It has a strong inhibition and killing effect on common pathogenic bacteria and can be used for a long time.



Formaldehyde



20 million negative ions

Oxygen molecules in the air and minute water molecules form negative ions which enter the blood through the lungs and increase human metabolism.



Irritable mood



Low resistance



Loss of appetite



20dB

Tick of the clock



35dB

Ambient sound of baby's sleep



61dB

P500 Fast wind speed mode



65dB

Office ambient sound



70dB

Ambient sound during discussion

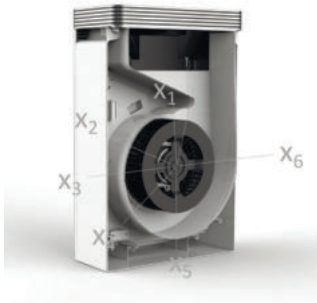


85dB

Car whistle

Noise level

While the **P500** model works on all available fan speeds, **PUROXYGEN** took care about the low noise level in it.



Professional design, precise calculation can effectively reduce wind noise. Using air fluidics optimizes the design of the airway streamline curve to reduce noise. New designed duct help reduce noise by about 5%.

Surging power originates from the deep control of air flow power and depends on blade impeller and motor mutual power and composition.

Blade Impeller

The whole impeller is made by injection moulding. The fan blades are designed specifically to cut the air sharply. This blade construction reduces noise and makes it more durable.

Effective Noise Reduction Motor

It is safe and reliable and reduces noise easily. The motor also improves insulation performance.

PM2.5 DIGITAL DISPLAY

PUROXYGEN P500 is equipped with the PM2.5 sensor to inform a user about the concentration of PM in the air. The PM concentration is shown with digits and also divided by 4-color light indications:

– Excellent Air Quality - Green light indication.





– Good Air Quality - Blue light indication.



– Medium Air Quality - Yellow light indication.



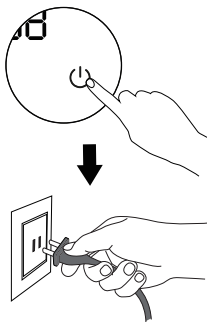
– Poor Air Quality - Red light indication.

FILTER REPLACEMENT

When the filter indicator turns red, it is necessary to replace the filter. Pic 2.1



Pic 2.1



Pic 2.2

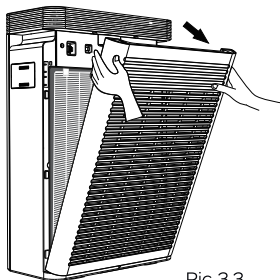
1. Turn down the unit and unplug the power cord. Pic 2.2

2. Open the filter cover. To make it easy, just take the buckle position of the filter cover and pull it out. Pic 3.3

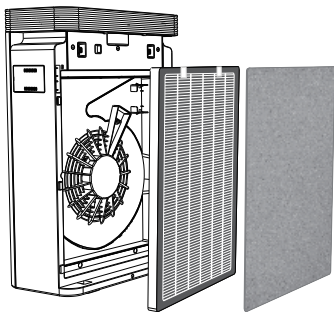
3. Please take out the combination filter and pack the used filter into a bag to avoid any second pollution. The combination filter that is out of service cannot be reused even if it is clean. Please consider it as non-burnable waste.

4. Make sure a new filter matches the filter slot of the purifier and then close the cover.

5. Press the **POWER** button to turn it on. Press the **POWER+TIMER** buttons for 3 seconds to reset the filter time.



Pic 3.3



Pic 2.4

Note

For a better purification, it is recommended to clean the pre-filter surface of the combination filter. Pic 2.4

TROUBLESHOOTING

If the air purifier does not run smoothly, please check out the following guidelines.

Problem	Possible reasons	Solutions
Machine cannot start	<ol style="list-style-type: none">1. Unplugged power cable2. Machine rear cover not in position	<ol style="list-style-type: none">1. Reconnect a power plug2. Place the rear cover in position

<p>Odor in the outlet</p>	<ol style="list-style-type: none"> 1. Too many indoor pollutants such as smoking 2. Filter is polluted severely 	<ol style="list-style-type: none"> 1. Air the place out 2. Replace the filter
<p>No obvious dust removal effect, no air quality improvement</p>	<ol style="list-style-type: none"> 1. Filter is not installed into the machine 2. Machine is placed in a narrow space or space with nearby obstacles, which may hinder the purification process 3. Filter is too dirty 	<ol style="list-style-type: none"> 1. Install the filter correctly 2. Place the unit at least a foot away from obstacles 3. Replace for a new combination filter
<p>Machine runs with loud noise</p>	<ol style="list-style-type: none"> 1. Installation is not tight 2. Other matters stored in the machine 	<ol style="list-style-type: none"> 1. Check the installation, contact the customer support service 2. Clean from other matters
<p>Main buttons do not work</p>	<p>Lock mode is turned on</p>	<p>Press simultaneously the SLEEP+TIMER buttons to turn Lock mode off</p>
<p>Filter can not be installed</p>	<p>Filter is installed from the opposite side with the pre-filter side placed to inner direction</p>	<p>Adjust the filter to the right direction (“Front” labels outside) and install the filter starting from the bottom part of filter slot</p>

RECYCLING

Purifiers can be recycled, and they should be in order to keep our planet clean. Where should you bring them?

In the **US**, there are a couple of options:

1) Best Buy has a recycling program. Just take the broken purifier with you next time you visit a Best Buy store. This link will help you find the best location:

<https://www.bestbuy.com/site/store-locator/>

2) Check for other possible locations next to you on these websites (just enter your ZIP to find a location):

<https://www.call2recycle.org>

<https://search.earth911.com>

<https://recyclenation.com/find>

<https://www.cta.tech/Consumer-Resources/Greener-Gadgets>

In **Canada**, please visit the links below for help:

<https://thinkreuse.net>

<https://www.call2recycle.ca>

In the **UK**, please visit the links below for help:

<https://www.recycle-more.co.uk/>

<https://www.recyclenow.com/local-recycling>

SAFETY RULES

- Do not use the device without a filter.
- Please use the device in a room with a temperature higher than 32°F / 0°C and lower than 104°F / 40°C.
- There should be a certain space around the air purifier to allow the wind and ions to flow naturally, thus improving the purification effect.
- Do not put your fingers or objects into the air inlet/outlet.
- Do not place the device close to open fire or hot objects.
- To avoid surface cracking or sensor failure, do not put in places where black smoke might occur (kitchen, etc.)
- Please unplug the power cable from the power socket immediately, if any malfunction happens, such as smoking, bad smell, etc.
- Don't disassemble or modify your purifier for any reason. Doing this may cause the purifier to malfunction or become combustible. The damage to your device can void the manufacturer's warranty.
- To avoid any damage or malfunction of sensor, please clean the device only with a soft cloth.
- To avoid any damage, electric shock or fire disasters, please do not clean the device with ethyl alcohol or organic solvents.
- To avoid electric shock or fire, please power off and unplug the power cord before cleaning or while not using the device.
- Don't put the device's LED lights close to humans' or animals' eyes.
- Device is not suitable for disabled people, people with mental illness, intellectual disabilities or children.

SPECIFICATIONS

Rated power:	45W
Rated Voltage:	~110-220V 50/60 Hz
CADR (Particles)*:	123.6 ft ³ /min
Apartment size:	150 - 400 ft ²
Speed modes:	3 speeds
Noise level:	≤ 61dB
Dimensions:	1.67 x 1.08 x 0.56 ft / 510 x 330 x 170 mm
Weight:	9.92 lbs / 4.5 kg

***CADR stands for Clean Air Delivery Rate and is measured in CFM which stands for cubic feet per minute (m³/hour). In general, this value shows exactly how much of the specific particles are removed from the air. In simple words, the CADR rating indicates how fast the air purifier can clean the air within a particular size room.**

THANK YOU!

We truly appreciate that you chose **PUROXYGEN** as your trusted brand of air purifier and sincerely hope you enjoy the great efficiency and seamless usability that **PUROXYGEN P500** provides. We love making our customers happy by providing true value with our products. If for any reason you are not completely satisfied with your purchase or have any questions, please contact us via **support@puroxygen.com**. We care about our customers most of all and are always here to serve you.

1 YEAR WARRANTY

Parts and Labor Warranty.

Please visit www.puroxygen.com
to register your product.

Manufactured by: Productech Corp

AIR PURIFIER P500

