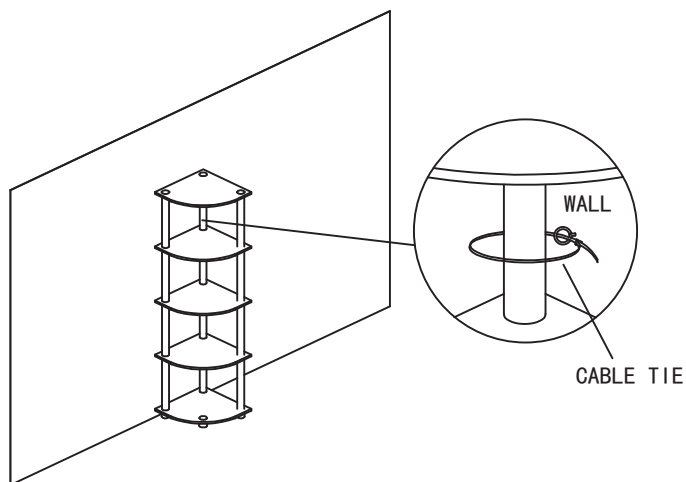
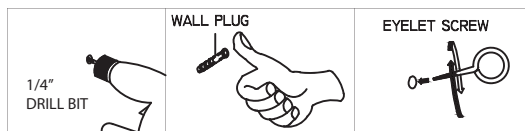


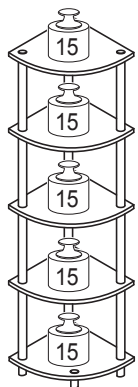
### STEP 3

If necessary, please follow instruction below to prevent product tip over.

Hardware List			Qty
			1SET
WALL PLUG	EYELET SCREW	CABLE TIE	



### Recommended Maximum Weight



\*Unit in Pound(lbs)

#### **WARNING:**

>This unit has been designed to support the maximum loads shown. Exceeding these load limits could cause sagging, instability, product collapse, and/or serious injury.

>DO NOT allow children to climb on unit.

>Put heavier items on lower shelves.



### Assembly Instruction

Furinno Turn-N-Tube 5 Tier Corner Display Rack Multipurpose Shelving Unit

MODEL : **99811**

DIMENSION : 11.6"(W) x 57.7"(H) x 11.6"(D)

00:20

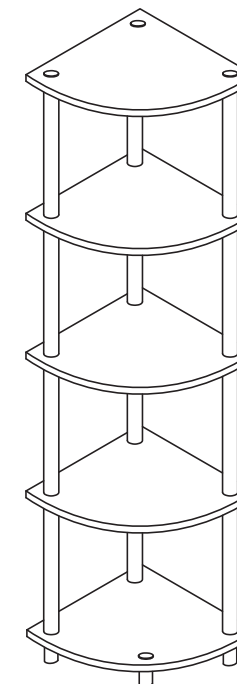
Approx. 20 minutes



Recomm. 1 Person



No Tools Required



#### Customer Service

Tel/Fax: 281.500.9372

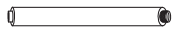


Toll Free: 773.299.8111 (Mon - Fri 9am - 5pm)



Email: support@furinno.com

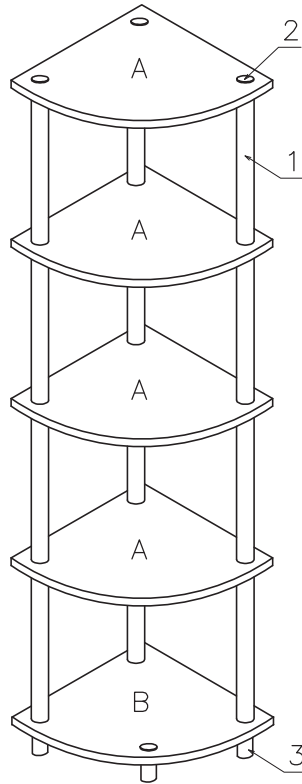
[www.furinno.com](http://www.furinno.com)

 Find us on Facebook



No	Hardware List	Qty
1	Long Pole 	12pcs
2	Top Cap 	4pcs
3	Round Leg 	4pcs

No	Parts List	Qty
A	Top/Shelf Panel 	4pcs
B	Bottom Panel 	1pcs

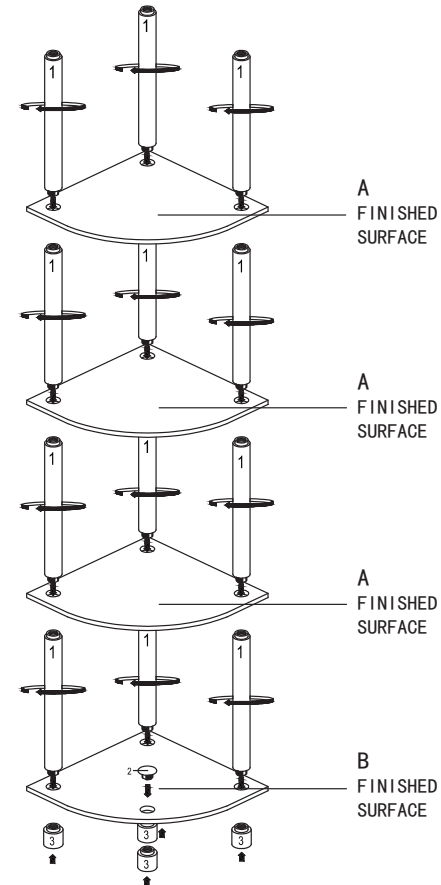




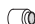
**USEFUL HINTS BEFORE YOU START:**

1. Read each step carefully before starting.
2. It is important that each step is performed in correct order to avoid difficulties.
3. Identify, sort and count the parts before assembly.
4. Assemble your furniture on packaging cardboard to prevent scratch or damage.
5. Clean the product with mild cleanser using soft damped cloth. Do not use harsh or abrasive cleanser.
6. Using incompatible hardware might cause damage to product.

**STEP 1**

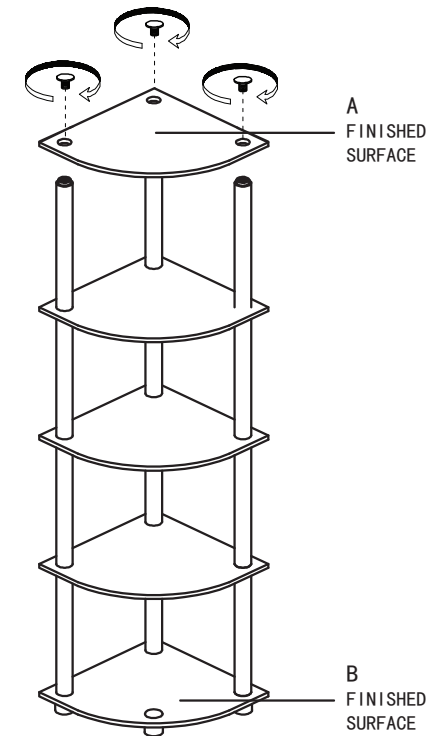
- 1.1 Attach Round Leg (3) and Top Cap (2) to Bottom Panel (B).
- 1.2 Attach Long Pole (1) with Shelf Panel (A), as shown:



-  ① Long Pole - 12pcs
-  ② Top Cap - 1pcs
-  ③ Round Leg - 4pcs

**STEP 2**

- Attach Top Cap (2) to Top Panel (A), as shown:



-  ② Top Cap - 3pcs