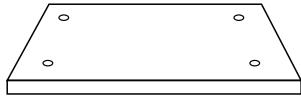
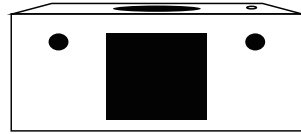
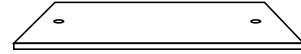
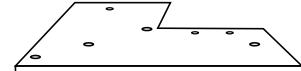
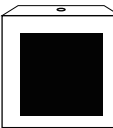
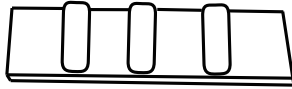

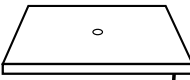



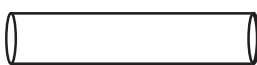
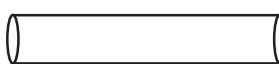






Parts List

- 1**  1 PC Base Platform
19.7" x 19.7" x 1.4"
50 cm x 50 cm x 3.6 cm
- 2**  1 PC Large Hangout
19.7" x 9.8" x 9.8"
50 cm x 25 cm x 25 cm
- 3**  1 PC Bottom Platform
19.7" x 9.8" x .7"
50 cm x 25 cm x 1.8 cm
- 4**  1 PC L-Shape Platform
19.7" x 19.7" x .7"
50 cm x 50 cm x 1.8 cm
- 5**  1 PC Small Hangout
9.8" x 9.8" x 9.8"
25 cm x 25 cm x 25 cm
- 6**  1 PC Ramp
17.7" x 5.9" x .8"
45 cm x 15 cm x 2 cm
- 7**  1 PC Toy Platform
9.4" x 9.4" x .7"
24 cm x 24 cm x 1.8 cm

- 8**  1 PC Toy Platform
9.4" x 9.4" x .7"
24 cm x 24 cm x 1.8 cm
- 9**  2 PC Hangout Base Post
3" dia x 14.6"
7.6 cm dia x 36.5 cm
- 10**  2 PC Sisal Post
3" dia x 18.9"
7.6 cm dia x 48 cm
- 11**  2 PC Fur Post
3" dia x 18.9"
7.6 cm dia x 48 cm
- 12**  1 PC Sisal Post (Shorter)
3" dia x 14.6"
7.6 cm dia x 36.5 cm
- 13**  2 PC Top Post (Sisal)
3" dia x 18.9"
7.6 cm dia x 48 cm
- 14**  1 PC Top Post (Fur)
3" dia x 18.9"
7.6 cm dia x 48 cm
- 15**  1 PC Rope Toy

- 16**  1 PC Cat-IQ™ Busy Box Toy
- 17**  1 PC Spring-y Ball Wand Toy

Hardware	Size	Quantity
 A Screw	8mm x 40mm	9pcs
 B Dowel	8mm x 65mm	4pcs
 C Washer	15mm	4pcs
 D Screw	8mm x 16mm	3pcs
 E Screw	8mm x 25mm	1pc
 Allen Wrench	5mm	1pc

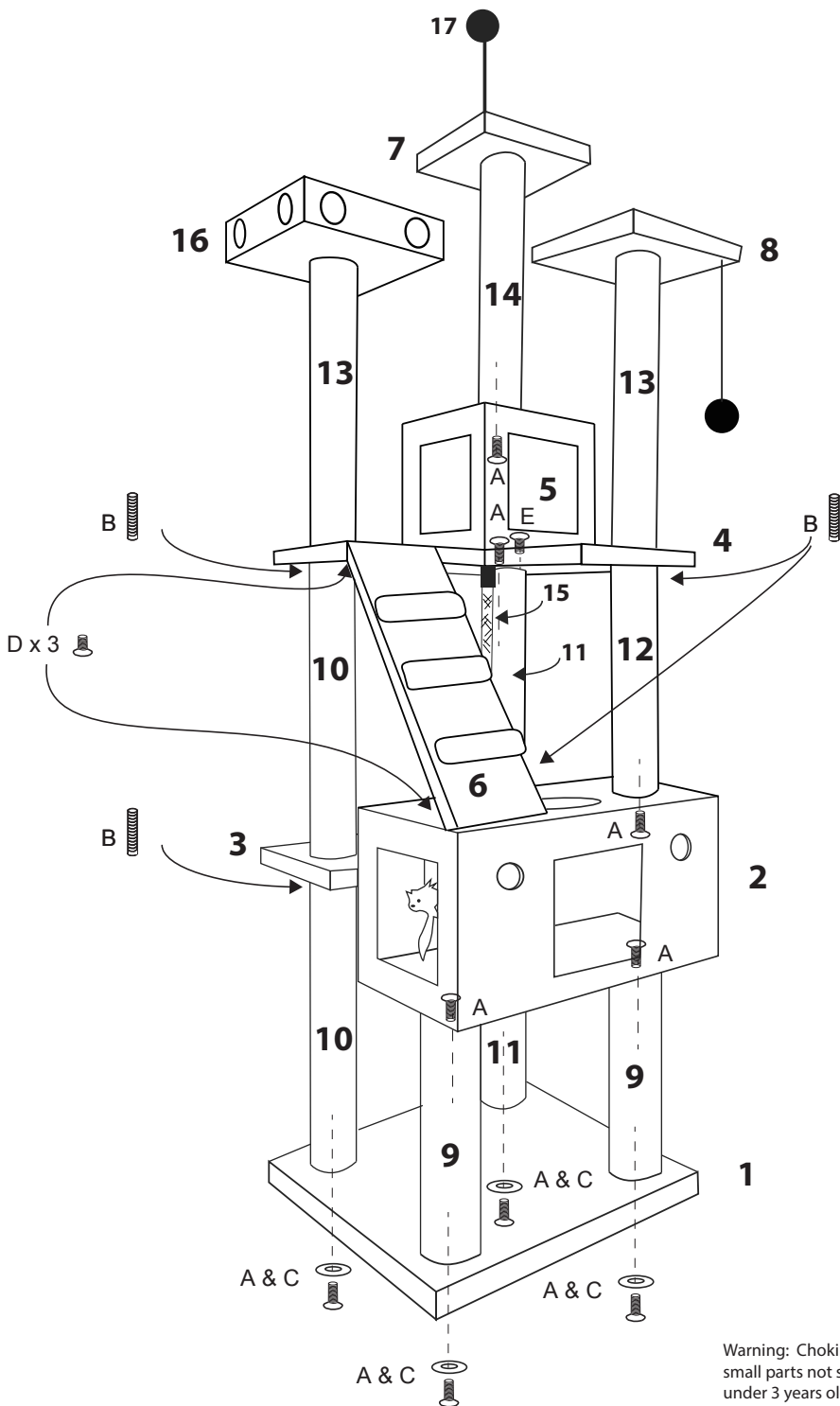


Double Decker Playground

19.7" x 19.7" x 69.3"
(50 x 50 x 176 cm)

FurHaven Pet™ Products
Bellingham, Washington USA

Thank you for choosing Tiger Tough™ for your pet!
For questions and inquiries, please contact FurHaven Customer Service
at 1.888.459.2337 or via email at service@furhaven.com



Warning: Choking hazard. Contains small parts not suitable for children under 3 years old. Be alert during assembly.

Thank you for choosing Tiger Tough™ for your pet! Our products are manufactured of high quality materials and feature natural sisal fibers. Sisal textiles are durable, economical and biodegradable. They are also an excellent surface for scratching!

Assembly Instructions

1. Product must be assembled **vertically beginning with the base and building up**. Do not assemble lying down as damage may occur to unit when righting and hardware may not be secure for use.
2. Assemble product on a flat, stable surface using the tools provided. Before beginning, please verify all parts against the parts lists. Tighten all connections as you build until they are firm. Do not overtighten.
3. Beginning with Base 1, attach Posts 9 (x2), 10 & 11 using Screw A & Washer C.
4. Attach Hangout 2 to Posts 9 using Screw A. Then attach Post 12 to Hangout 2 with Screw A.
5. Attach Bottom Platform 3 to Posts 10 & 11 using Dowel Screw B. Then attach an additional set of Posts 10 & 11 over Bottom Platform 3 using exposed Dowel Screw B ends.
6. Attach L-Shape Platform 4 to Posts 10 & 12 using Dowel Screw B. Secure corner Post 11 with Screw A. Place Hangout 5 on L-Shape Platform 4 in corner & attach with Screw E.
7. Attach Busy Box 16 to Post 13. Then secure to Post 10 using exposed Dowel Screw B end.
8. Attach Wand Toy 17 to Platform 7. Then attach to Post 14. Secure Post 14 to top of Hangout 5 using Screw A.
9. Attach Platform 8 to remaining Post 13. Secure to Post 12 using exposed Dowel B end.
10. Attach Ladder 6 to base of L-Shape Platform 4 and top of Hangout 2 using Screws D.
11. Attach Rope 15 to base of L-shape Platform 4.

Care Instructions

- Periodically inspect unit and tighten as needed.
- Spot clean as needed with gentle detergent diluted with water. Towel & air dry.

Hints & Tips

- Because it is a natural fiber, it is normal for sisal to discolor over time.
- Exposure to direct sunlight or moist conditions may damage the unit.
- For greater stability, place the playground in an area where it will not be bumped.
- Never let children or larger animals play on or climb the playground unit. This is extremely unsafe and may lead to damage or harm.
- Not recommended for outdoor use.
- Keep tools and instructions for future use and reference.

Problems or Questions?

Please contact FurHaven Customer Service at 1.888.459.2337 or via email at service@furtherhaven.com. Monday through Friday ~ 7:30 am to 4:00 pm