

# Easel Studio TV Stand with Shelf

STAND-TV65A-S

Assembly Manual

---



# WARNING



If you do not understand these directions, or if you have any doubts about the safety of the installation, please contact our product support team at 309-278-5303 or help@vivo-us.com for further assistance. Check carefully to make sure there are no missing or defective parts. Failure to report missing parts within 30 days may result in denial of free replacement. Improper installation may cause damage or serious injury. Do not use this product for any purpose that is not explicitly specified in this manual. Do not exceed weight capacity. We cannot be liable for damage or injury caused by improper mounting, incorrect assembly or inappropriate use.



## WARNING: CHOKING HAZARD

SMALL PARTS - NOT FOR CHILDREN UNDER 3 YEARS. ADULT SUPERVISION IS REQUIRED.



## DO NOT EXCEED WEIGHT CAPACITY

FAILURE TO DO SO MAY RESULT IN SERIOUS INJURY.



## TIPOVER WARNING

**SERIOUS OR FATAL CRUSHING INJURIES CAN OCCUR FROM TIPOVER.**

### TO HELP PREVENT TIPOVER:

- NEVER ALLOW CHILDREN TO CLIMB, STAND, HANG, OR PLAY ON ANY PART OF TV STAND
- USE TIPOVER RESTRAINT OR ANCHOR STAND TO WALL.

**NOTE: USE OF TIPOVER RESTRAINTS MAY ONLY REDUCE, BUT NOT ELIMINATE RISK OF TIPOVER.**



## DO NOT INSTALL INTO DRYWALL ALONE

DRYWALL ALONE CANNOT SUPPORT WEIGHT OF YOUR TV. Mount must be installed into wood stud or concrete/brick walls ONLY. Failure to follow instructions may result in damage to TV and/or serious personal injury. Please verify intended mounting location before proceeding. If unsure, please contact us at 309-278-5353 or help@vivo-us.com.

---

---

## Need Help? We're Here For You

*US-Based Customer Support from Trained Professionals*

**Monday-Friday from 7am-7pm CST**

**Saturday 8am-4pm CST**



### Email Us

help@vivo-us.com



### Chat with Live Agent

www.vivo-us.com



### Give Us a Call

309-278-5303 ext. 1



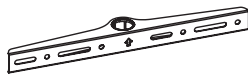
Assembly Video & Product Info

[www.vivo-us.com/products/stand-tv65a-s](http://www.vivo-us.com/products/stand-tv65a-s)

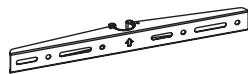
## Package Contents



**A** (x1)  
Shelf



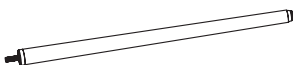
**B** (x1)  
Upper VESA  
Bracket



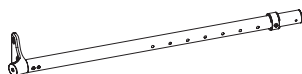
**C** (x1)  
Lower VESA  
Bracket



**D** (x1)  
Short Leg



**E** (x2)  
Long Leg



**F** (x1)  
Pole



**G** (x2)  
Cable Clip



**H** (x1)  
Steel Cable



**I** (x2)  
Security Clip



**J** (x1)  
L Bracket



**K** (x2)  
Locking Barrel

## Included Hardware & Tools



**S-A** (x1)  
M5x8mm  
Screw



**S-B** (x2)  
ST2.9x13mm  
Screw



**S-C** (x3)  
M6x18mm  
Screw



**S-D** (x3)  
M6 Washer



**W-A** (x1)  
ST4.8x38mm  
Screw



**W-B** (x1)  
Concrete  
Anchor



**M-A** (x4)  
M6x14mm  
Screw



**M-B** (x4)  
M8x16mm  
Screw



**M-C** (x4)  
M6x30mm  
Screw



**M-D** (x4)  
M8x35mm  
Screw



**M-E** (x4)  
M8 Washer



**M-F** (x4)  
Small Spacer



**M-G** (x4)  
Large Spacer



**T-A** (x1)  
4mm Allen  
Wrench

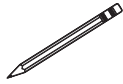
## Tools Needed:



Phillips  
Screwdriver



Tape  
Measure



Pencil



Drill



Drill Bit



Stud Finder

## Weight Capacity:



TV

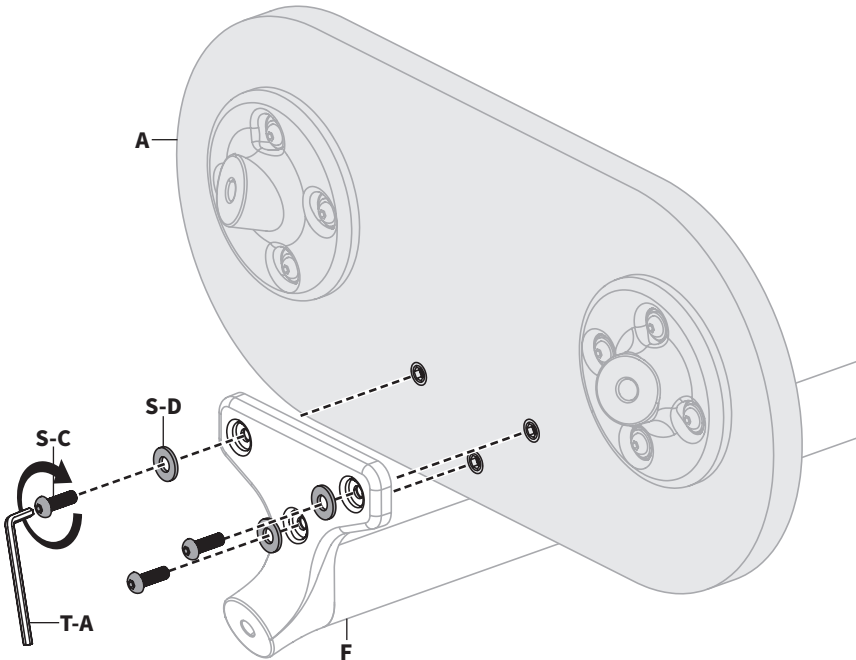


Shelf

## Assembly Steps

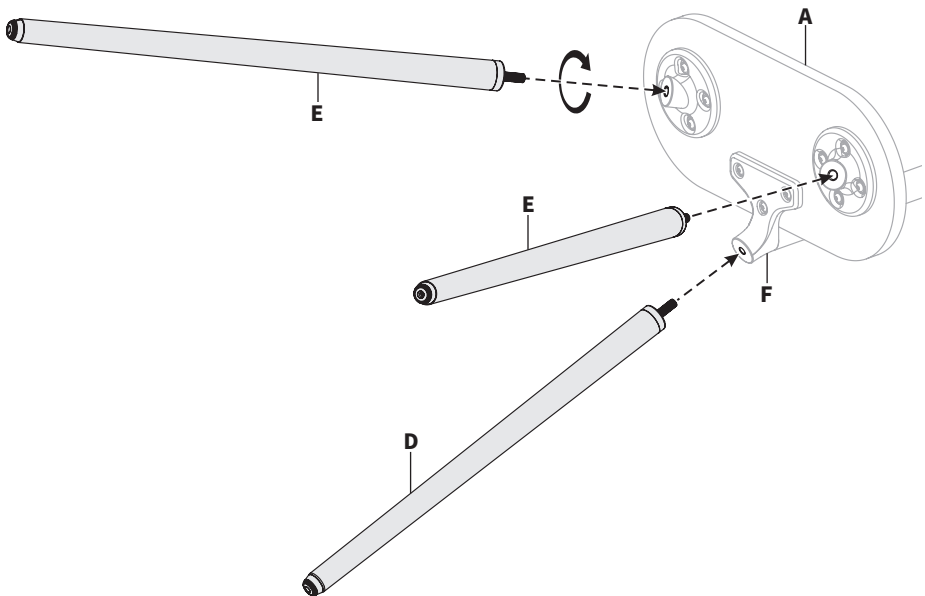
### STEP 1

Attach the Shelf (**A**) to the Pole (**F**) using M6x18mm Screws (**S-C**) with M6 Washers (**S-D**). Tighten using 4mm Allen Wrench (**T-A**).



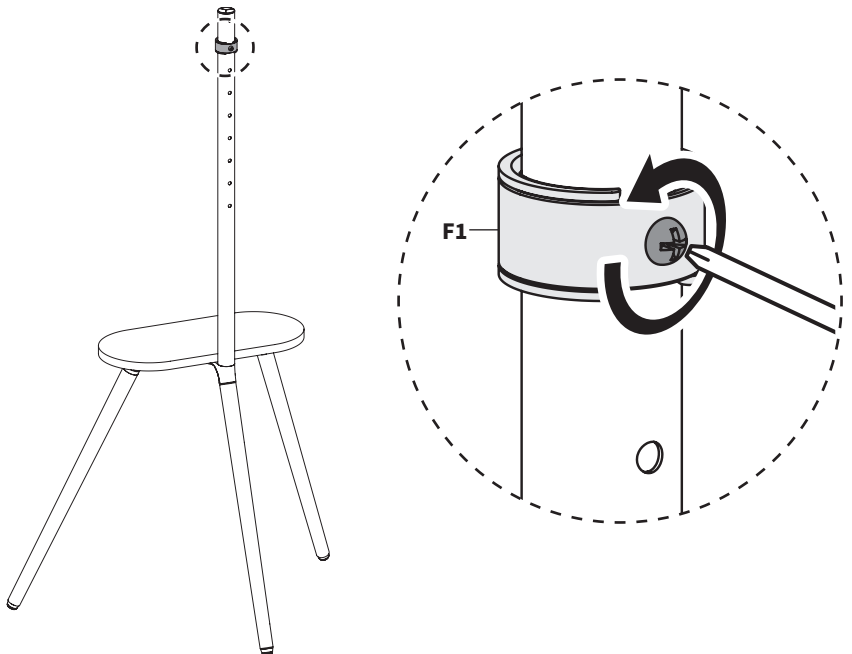
## STEP 2

Thread the two Long Legs (**E**) into the bottom of Shelf (**A**) and thread the Short Leg (**D**) into the bottom of Pole (**F**).



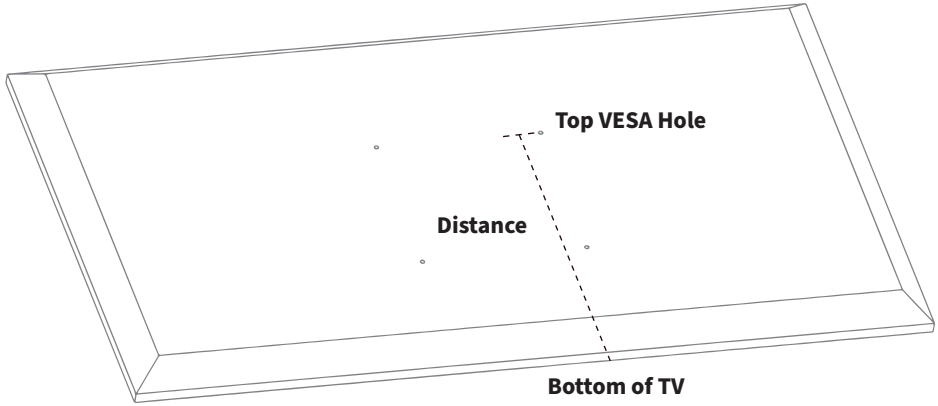
## STEP 3

Use a Phillips screwdriver to loosen the pre-installed screw on the Pole Collar (**F1**).

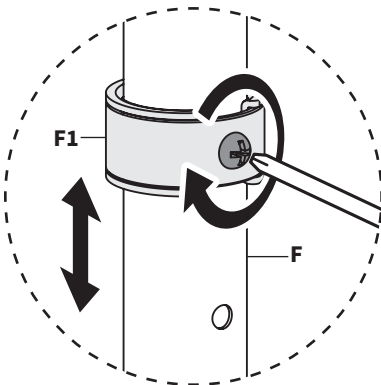


### STEP 3 - Cont'd

Use a tape measure to measure the **Distance** from the **Top VESA Hole** on your TV to the **Bottom of TV**. Note this down for the next step.



Use the diagram shown below to determine which holes on Pole (**F**) can be used for your TV to be able to fit on the stand. Of these holes, slide the Pole Collar (**F1**) to the desired height, align the screw with the hole and tighten using a Phillips screwdriver.



Ensure the screw is threaded fully into the Pole Collar.

If the **Distance** measured above is less than distance listed below, the corresponding hole can be used.



**Distance < 28.3" (720mm)**

**Distance < 26.4" (670mm)**

**Distance < 24.4" (620mm)**

**Distance < 22.4" (570mm)**

**Distance < 20.5" (520mm)**

**Distance < 18.5" (470mm)**

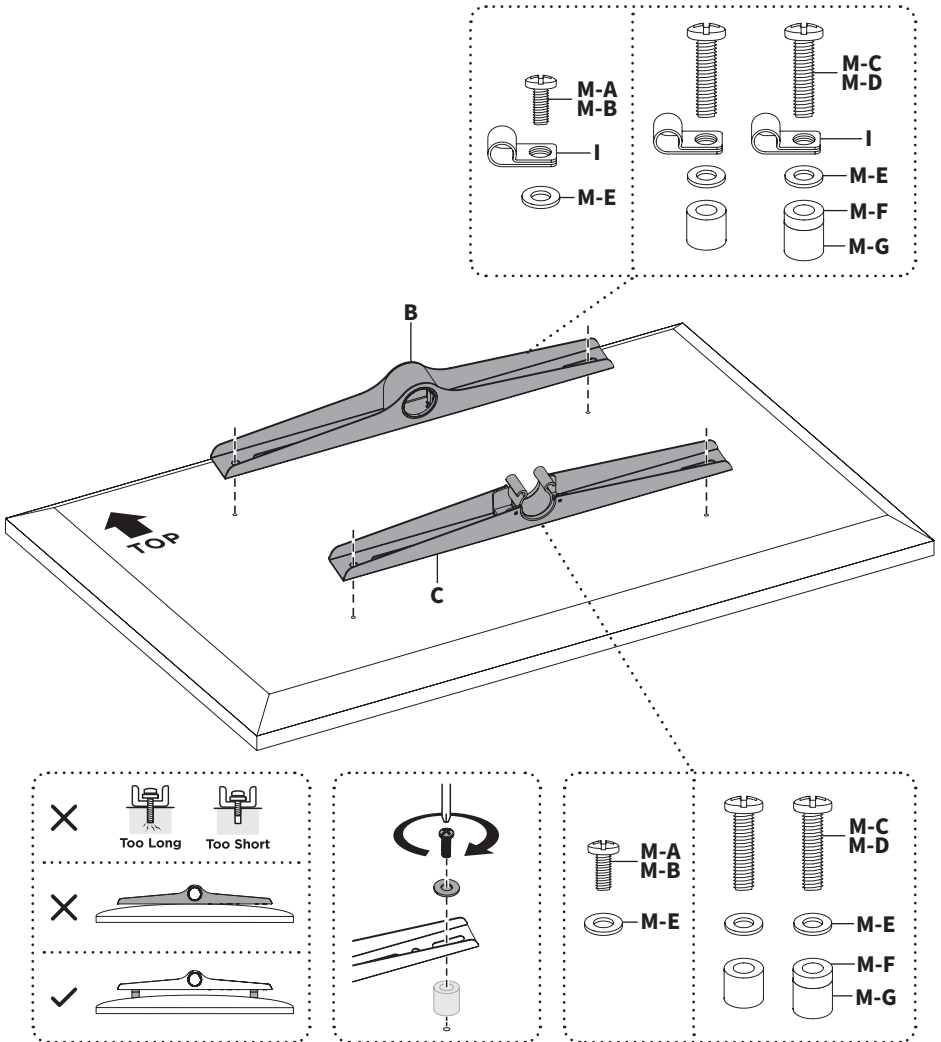
**Distance < 16.5" (420mm)**

**Distance < 14.6" (370mm)**

## STEP 4

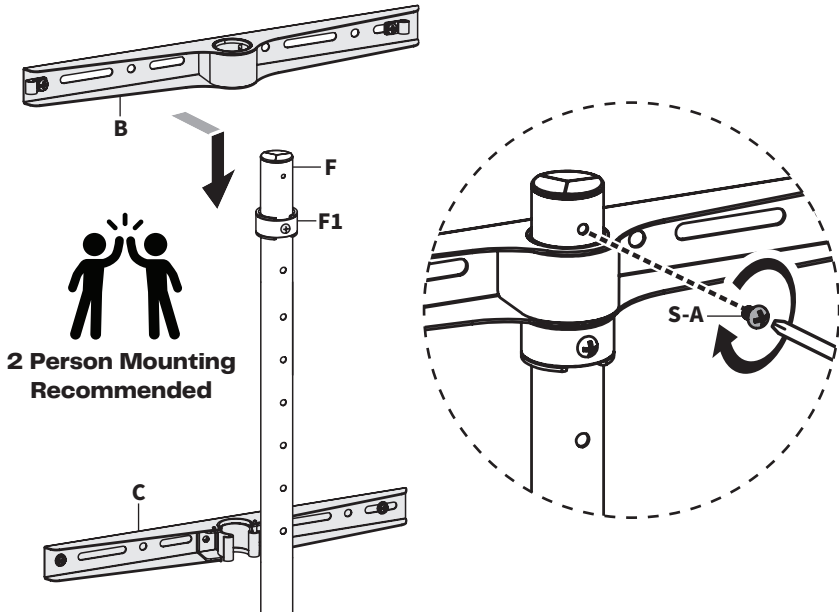
Attach the Upper VESA Bracket (**B**) to the **upper** two holes on your TV using appropriate Screws (**M-A thru M-D**) followed by Security Clip (**I**) and M8 Washer (**M-E**). Spacers (**M-F, M-G**) can be used if needed.

Attach the Lower VESA Bracket (**C**) to the **lower** two holes on your TV using appropriate Screws (**M-A thru M-D**) followed by M8 Washer (**M-E**). Spacers (**M-F, M-G**) can be used if needed. Tighten using a Phillips screwdriver.

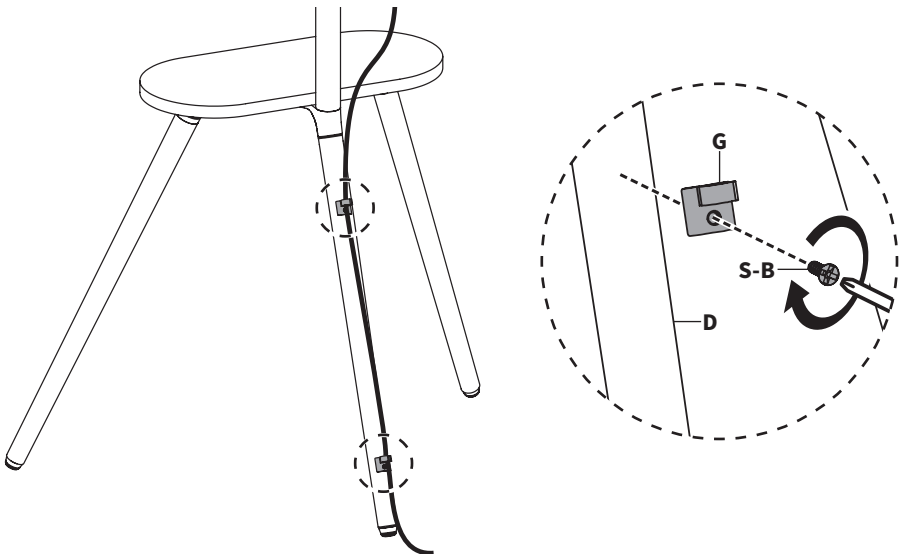


## STEP 5

Attach the TV to the Pole (**F**) by pressing the Lower VESA Bracket (**C**) into the Pole then sliding the Upper VESA Bracket (**B**) onto the Pole so that it rests on the Pole Collar (**F1**). Use a Phillips screwdriver to thread the M5x8mm Screw (**S-A**) into the top of Pole.



Attach Cable Clips (**G**) to the Short Leg (**D**) using ST2.9x13mm Screws (**S-B**) and a Phillips screwdriver. Use the Cable Clips to organize cables.

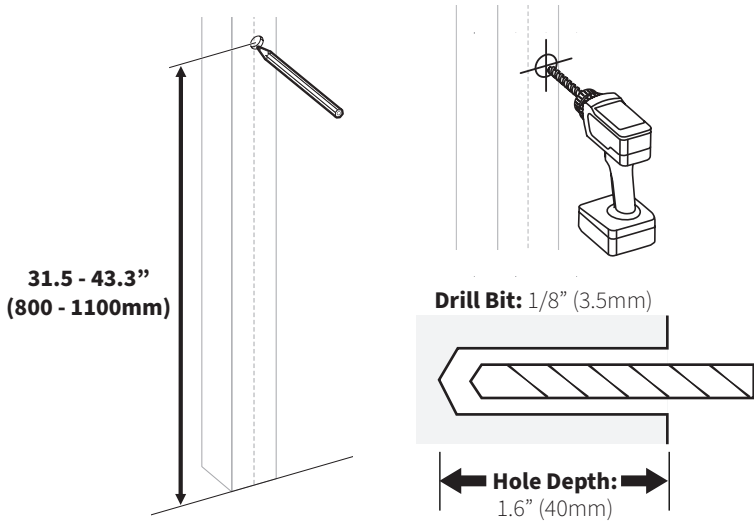


# \* Optional \* Securing to Wall

Identify the wall type behind the desired location for the TV stand and follow the appropriate instructions.

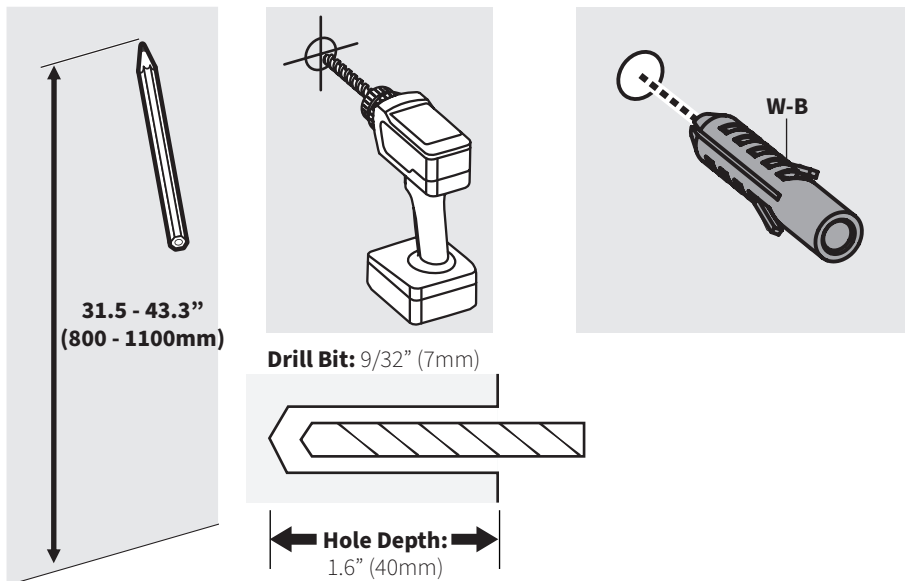
## Option 1: Wood Stud

Pre-drill a hole **31.5" to 43.3" (800 to 1100mm)** from the ground in line with a stud using the diagram below. Use of a stud finder is recommended. Do NOT use the Concrete Anchor (**W-B**).



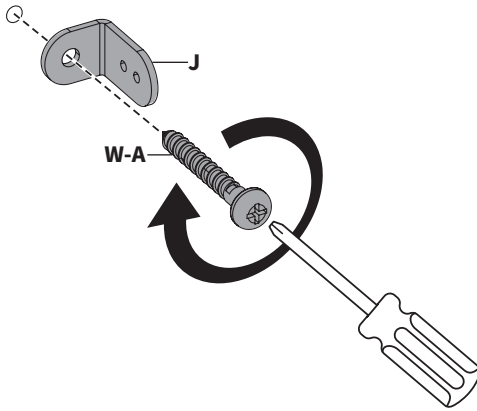
## Option 2: Concrete/Brick

Pre-drill a hole **31.5" to 43.3" (800 to 1100mm)** from the ground using the diagram below and insert the Concrete Anchor (**W-B**) into the hole.

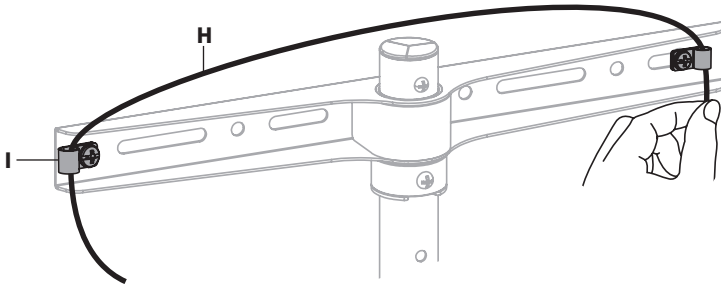


## Securing to Wall - Cont'd

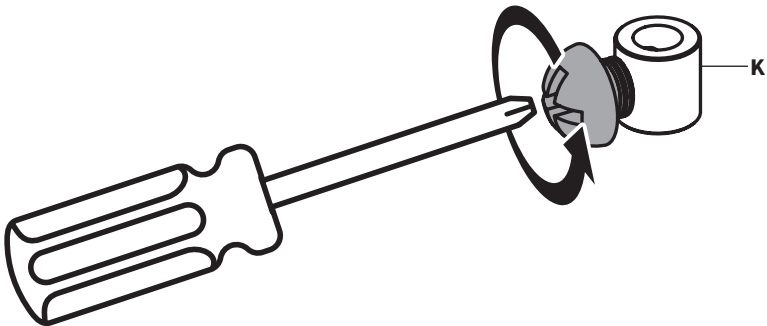
Attach the L Bracket (**J**) to the wall using the ST4.8x38mm Screw (**W-A**) and a Phillips screwdriver.



Feed the Steel Cable (**H**) through the Security Clips (**I**).



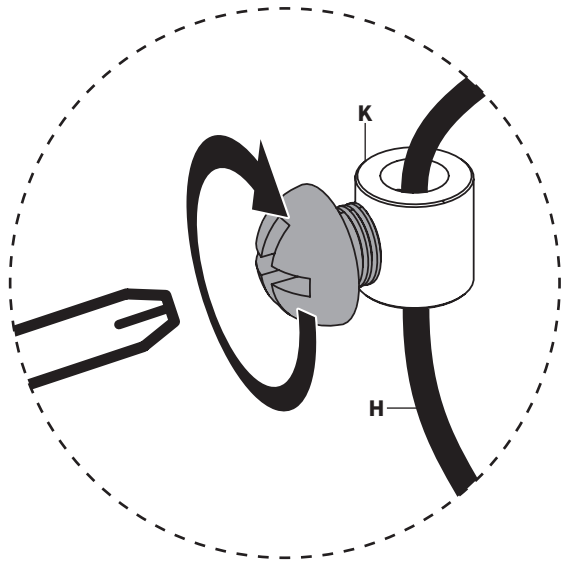
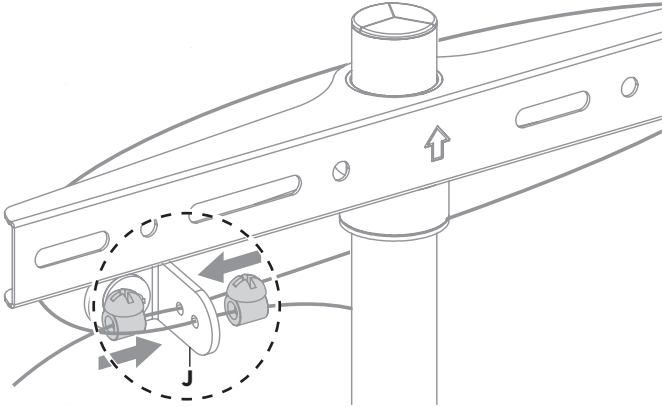
Use a Phillips screwdriver to loosen the screws on Locking Barrels (**K**).



## Securing to Wall - Cont'd

Feed the Steel Cables (**H**) through the L Bracket (**J**) as shown. Place the Locking Barrels (**K**) onto the ends of the Steel Cable and feed the Steel Cable all the way through to remove the slack.

Secure by tightening the screws on the Locking Barrels using a Phillips screwdriver.





## Need Help? **We're Here For You**

Monday-Friday from 7am-7pm CST

Saturday 8am-4pm CST



Email Us  
[help@vivo-us.com](mailto:help@vivo-us.com)



Chat with Live Agent  
[www.vivo-us.com](http://www.vivo-us.com)



Give Us a Call  
309-278-5303 ext. 1



VIVO-us



@vivo\_us



@VIVOus



VIVO