

27070A/27070Z

Please read the following instructions carefully.
Keep this instruction manual and save for future reference.

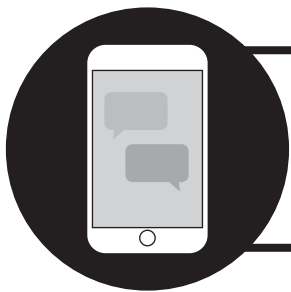
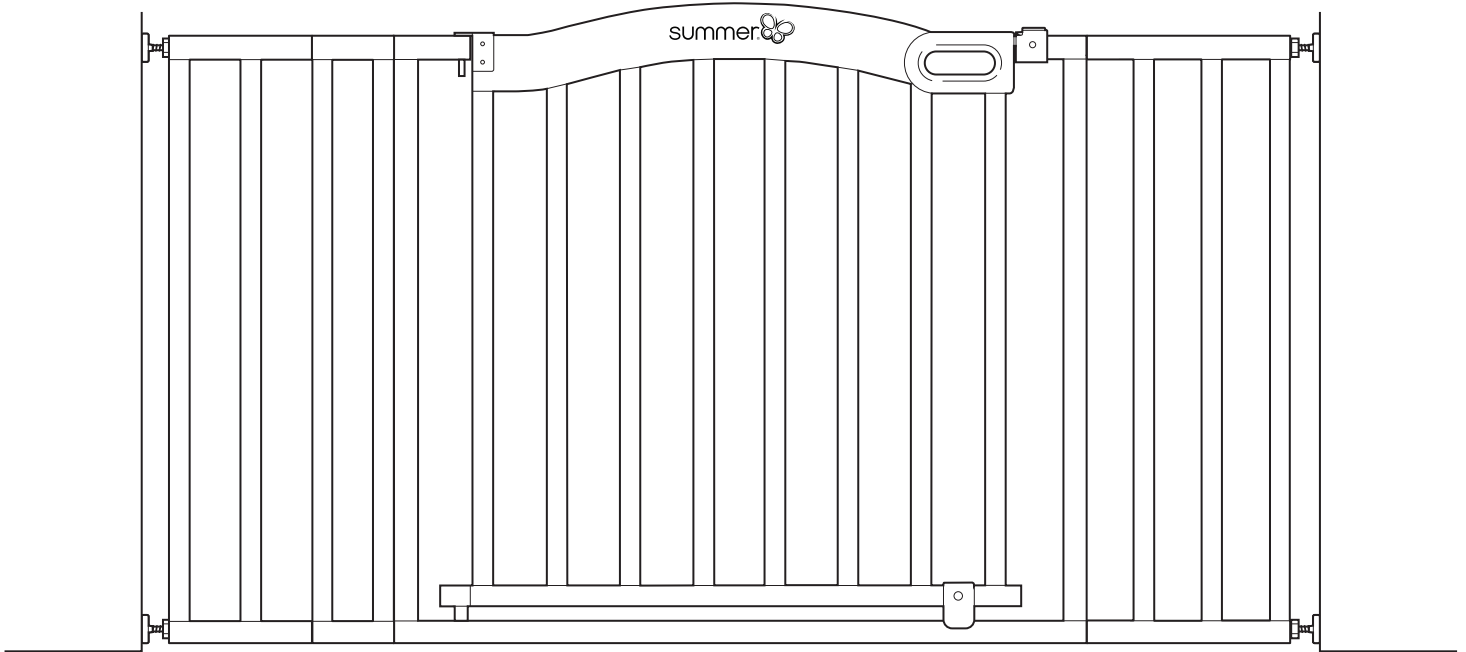
For technical support, contact us at **1-401-671-6551**
or **www.summerinfant.com/contact**

For use with children from 6 - 24 months.

Keep small parts away from children.

Adult assembly required.

Fits openings from 36" - 60" wide.



Text "Wide Install" to 38344

for a step-by-step installation video.
Have questions? Please do not return
this gate, contact our Consumer
Relations Team at 1-401-671-6551.

Decorative Wood & Metal Gate

INSTRUCTION MANUAL

Thank you for purchasing the Decorative Wood & Metal Gate from Summer Infant.
This pressure-mounted gate helps you create and maintain a secure environment for your child.
Its extra -wide door opens easily in either direction, and is fully adjustable to fit wide openings up to 5 ft.

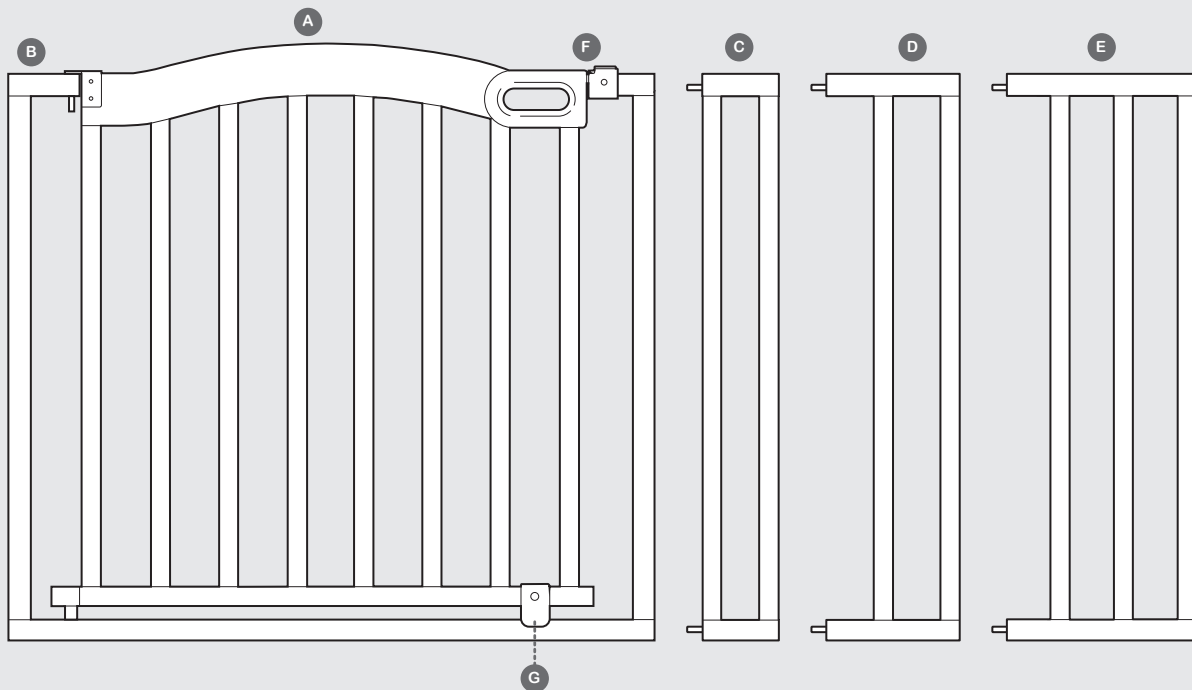
! WARNING

Children have died or been seriously injured when gates are not securely installed.

- ALWAYS install and use gate as directed using all required parts.
- Install according to manufacturer's instructions.
- Stop using when a child can climb over or dislodge the gate.
- Use only with the locking/latching mechanism securely engaged.
- To prevent falls, never use at top of stairs .
- **NEVER** use a gate to keep child away from pool.
- **NEVER** leave child unattended.
- **ALWAYS** close and lock the gate behind you.
- For use with children from 6 - 24 months.
- This product will not necessarily prevent all accidents. Proper adult supervision is required at all times.
- Do not use if any components are missing or damaged.
- Adult assembly required. Exercise care when unpacking and assembling product.

! CAUTION: KEEP SMALL PARTS OUT OF CHILD'S REACH.

components:



A Gate Door

B Gate Frame

C Small Extension Frame

D Medium Extension Frame

E Large Extension Frame

F Top Latch

G Door Catch

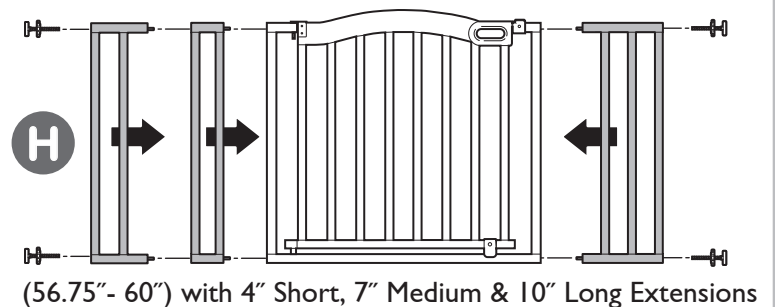
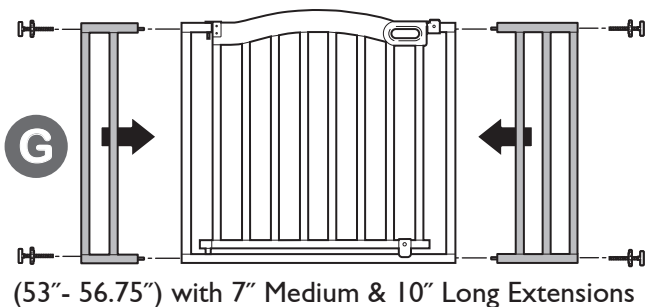
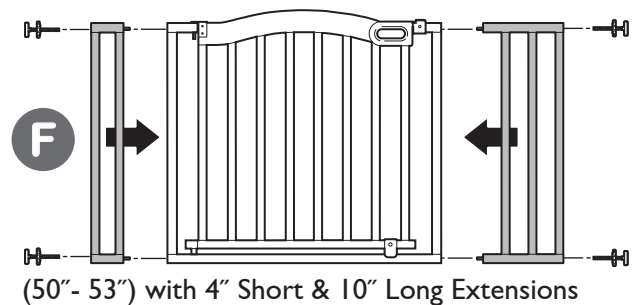
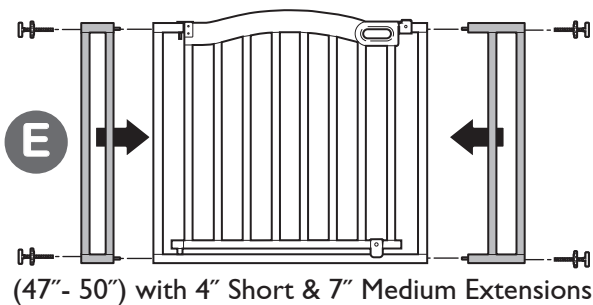
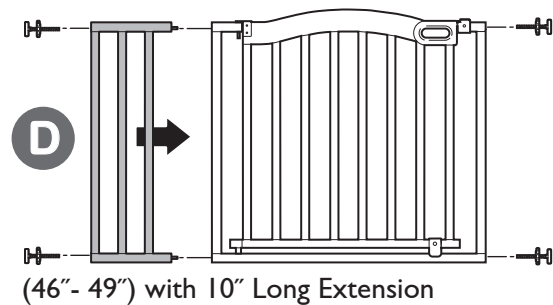
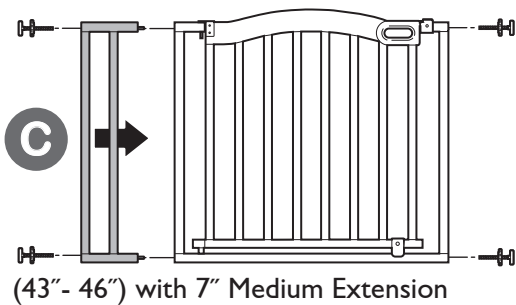
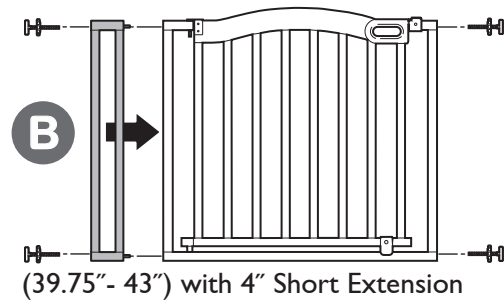
H Wrench

I Tension Bolts (4)

gate configurations (choose which best fits your scenario):



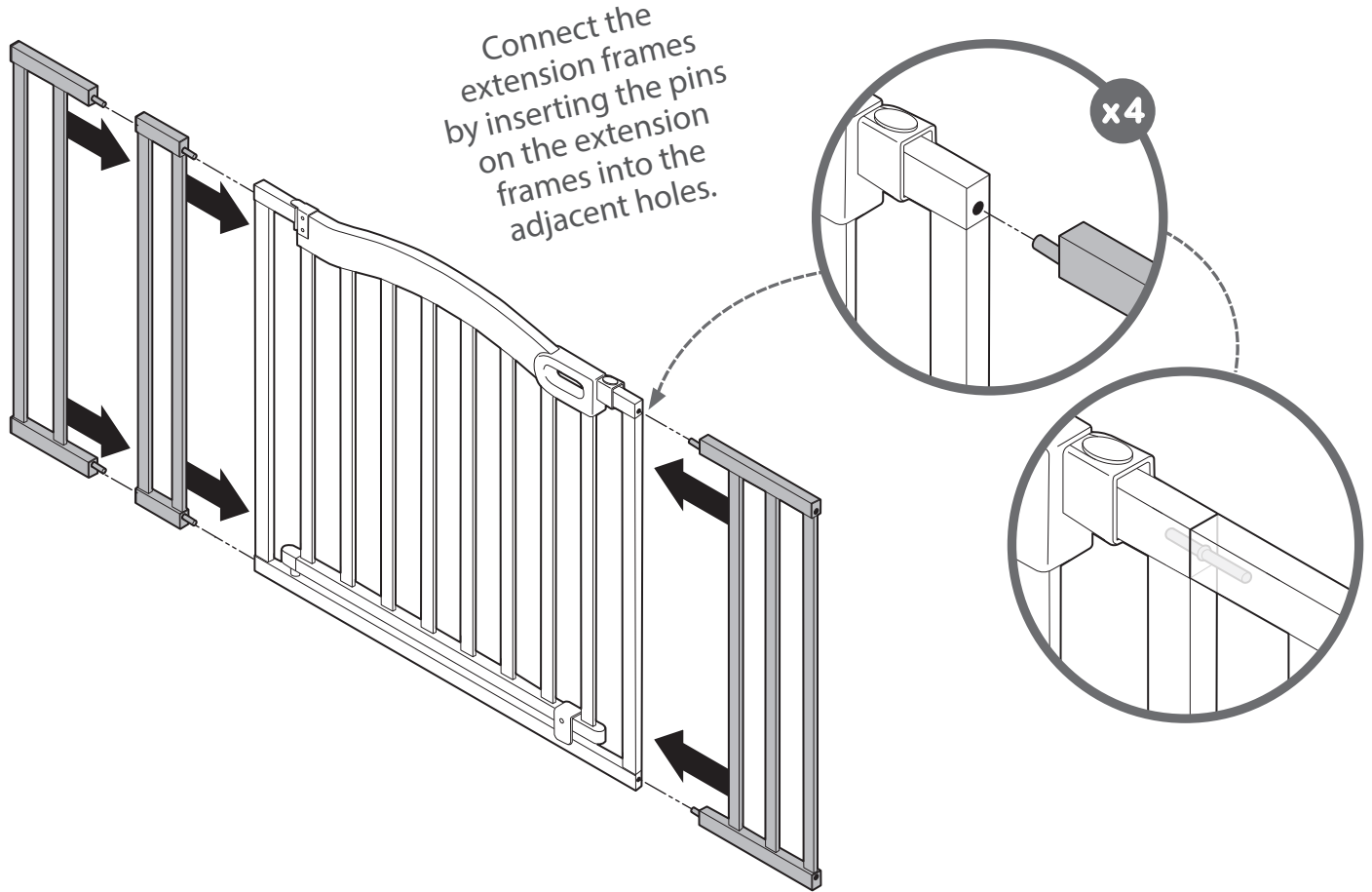
Measure the width of the opening where you intend to install the gate. Refer to the following illustrations to determine the correct installation configuration. Baseboard molding may change which configuration is appropriate.



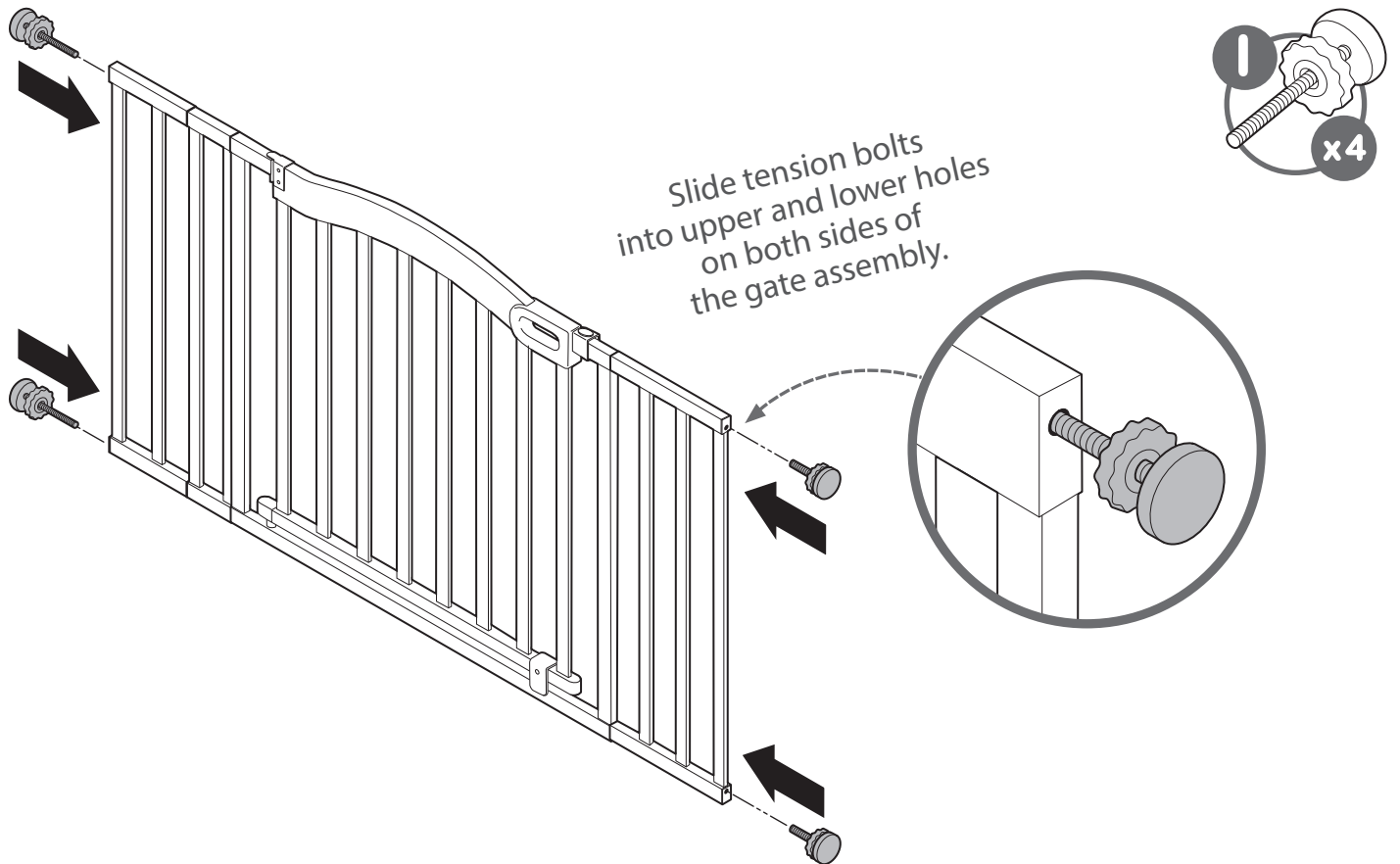
NOTE: This instruction book illustrates installation of gate configuration H. If choosing gate configuration A, skip ahead to step 2. Otherwise, follow step 1 using the appropriate extension frames that best fit your scenario.

installation:

1



2



Installation (continued):

3

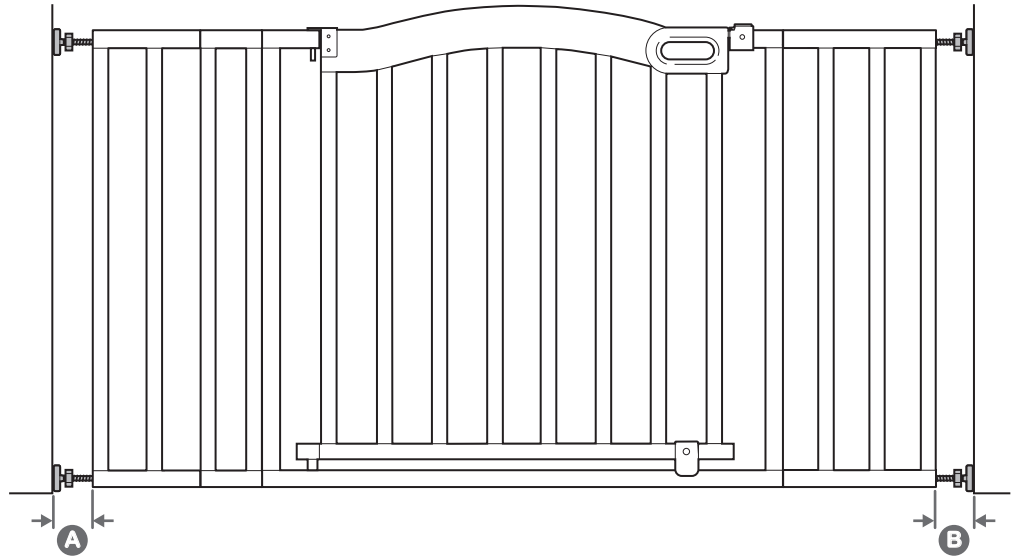
Stand the gate in the center of the opening. Make sure the bottom of the gate is completely flat to the floor. Slide tension bolts out until they touch the door frame or wall.

Check distances A & B. They should never exceed 2.75".

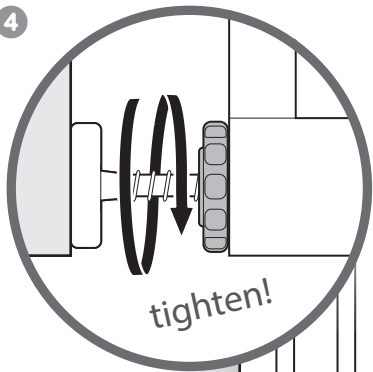


IMPORTANT

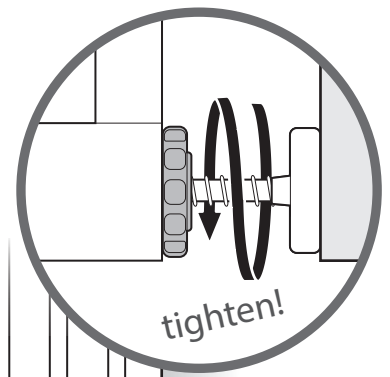
The distance between the gate and the wall should never exceed 2.75".



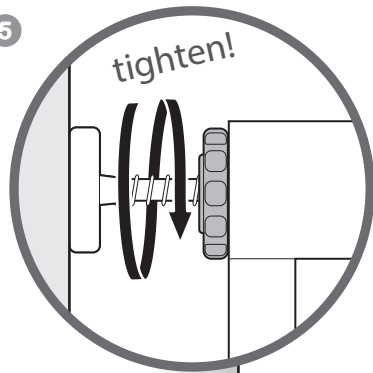
4



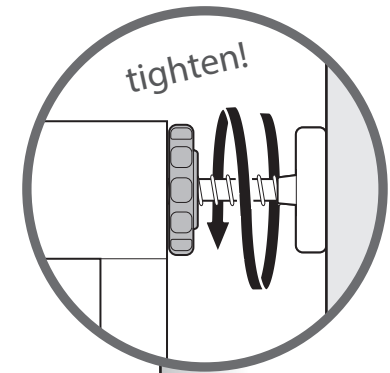
Use the tension nuts to tighten both of the bottom tension bolts.



5

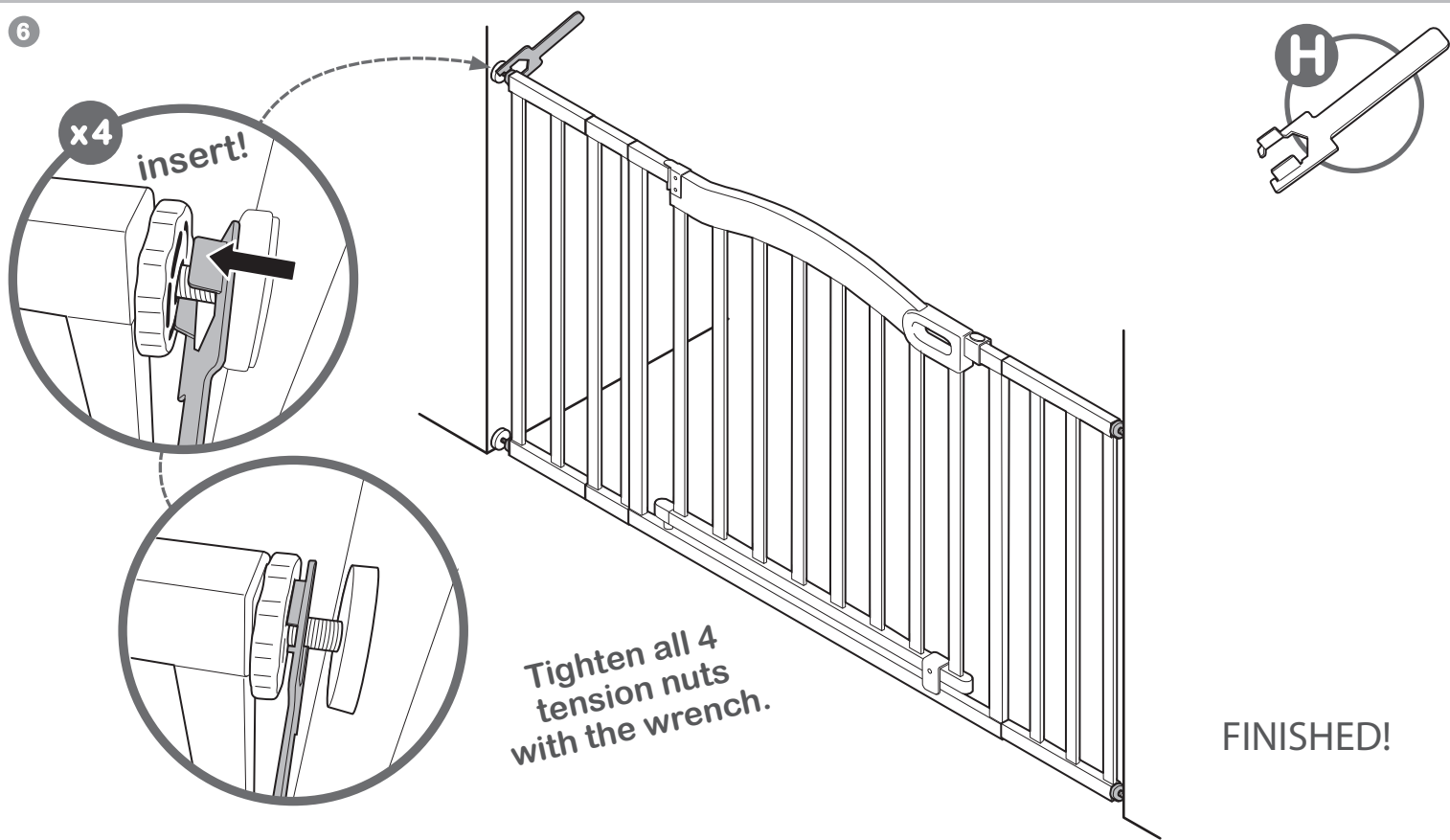


Use the tension nuts to tighten both of the top tension bolts.

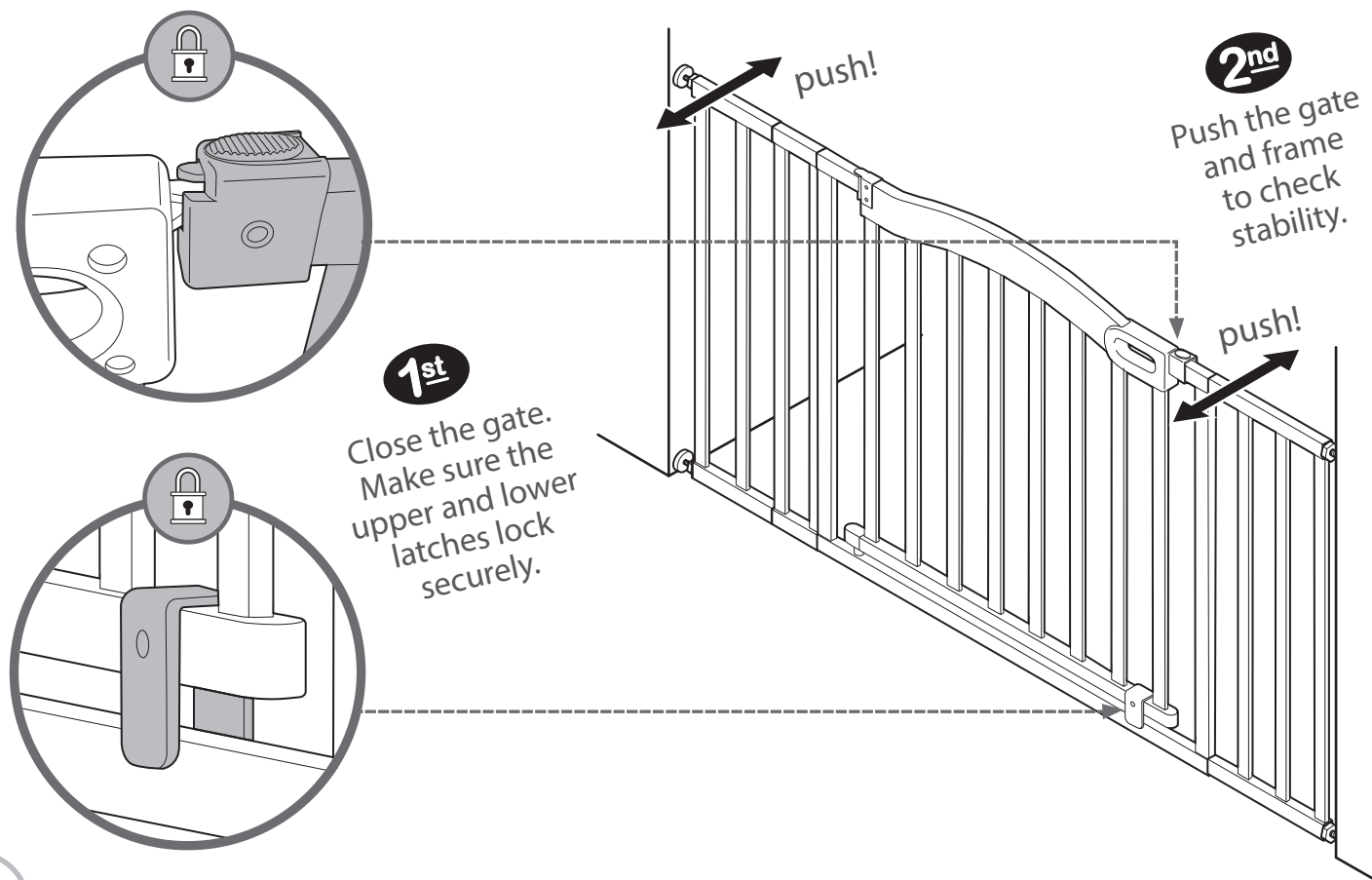


Installation (continued):

6



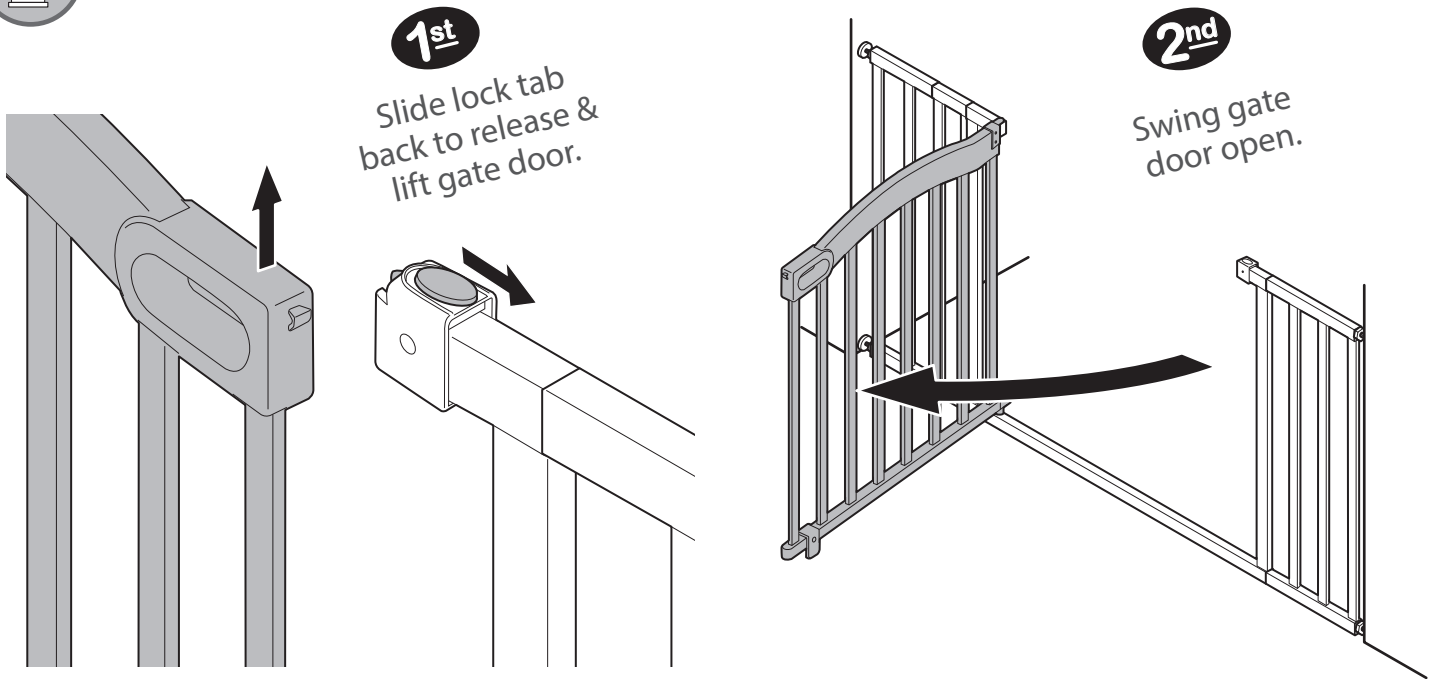
testing the installation:



operation:



to unlock gate:



troubleshooting:

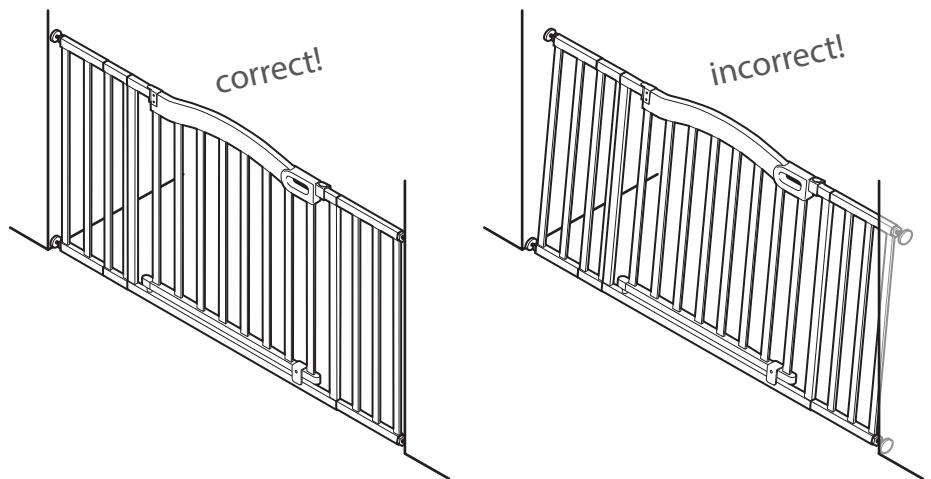
If the gate does not close properly:

1. Gate is not properly aligned in the door frame.

Solution: Make sure the gate is properly aligned in the door frame. To adjust the gate's alignment, loosen all four tension bolts and reposition gate so that it matches the "correct" image. Re-tighten tension bolts.

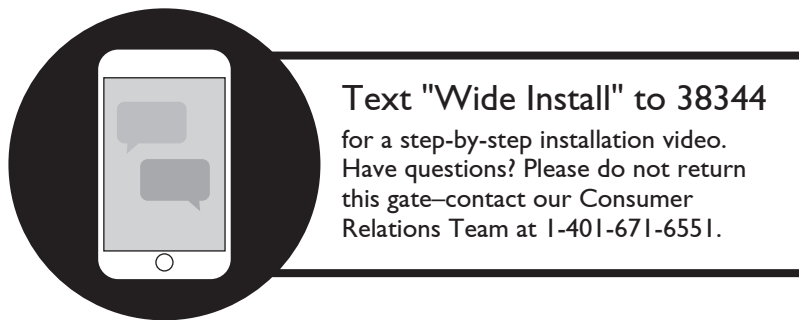
2. Pressure of tension bolts needs to be adjusted.

Solution: Loosen or tighten the upper tension bolts. Ensure the upper latch always remains below the release button. Ensure the upper latch engages securely when the gate swings closed and that it can be released properly when the release button is pushed.



maintenance:

- Regularly check tension bolts to make sure the gate is securely in place.
- Do not use the gate if any components are damaged or missing.
- Surface-clean with a damp cloth or sponge using mild detergent and warm water.
- To order a replacement hardware kit (item #27070-10), please contact our Consumer Relations Team at 1-401-671-6551.



Text "Wide Install" to 38344
for a step-by-step installation video.
Have questions? Please do not return
this gate—contact our Consumer
Relations Team at 1-401-671-6551.

We're here to help! If you have questions or need assistance,
please contact our Consumer Relations Team at
1-401-671-6551 or **www.summerinfant.com/contact**