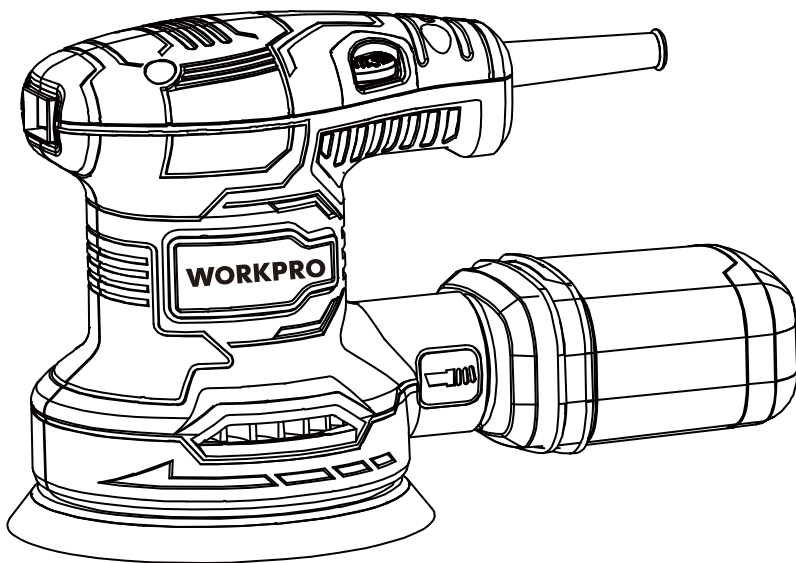


WORKPRO

W125264A

ORIGINAL OPERATING INSTRUCTIONS 300W RANDOM ORBIT SANDER



Model #: S1A-GW2-125



Distributed by :
Hangzhou GreatStar Industrial Co., Ltd.
No.35 Jiujuan Road, Shangcheng District,
Hangzhou 310019, China
www.greatstartools.com
Made in China

FIG. 1

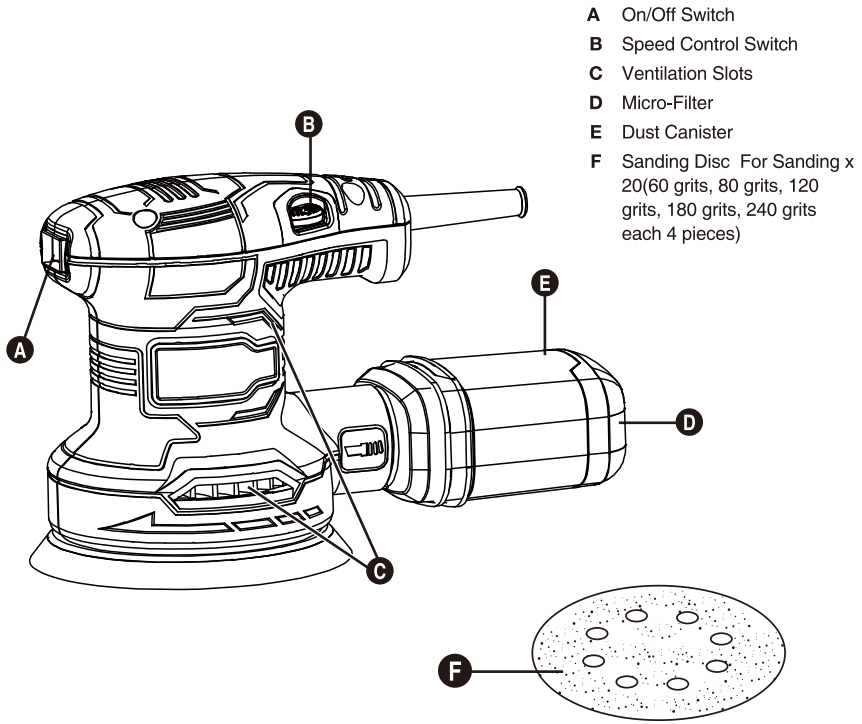


FIG. 1

FIG. 2

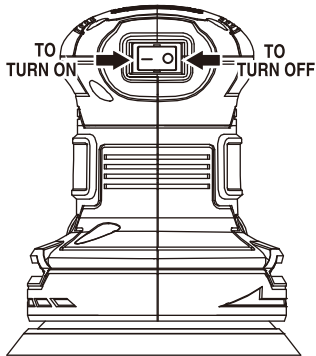


FIG. 3

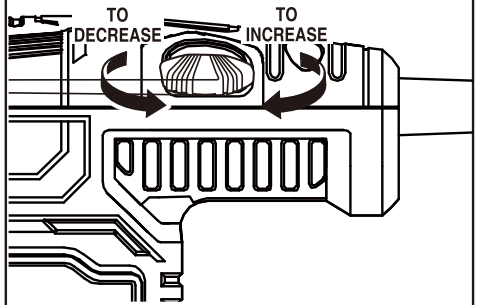


FIG. 4

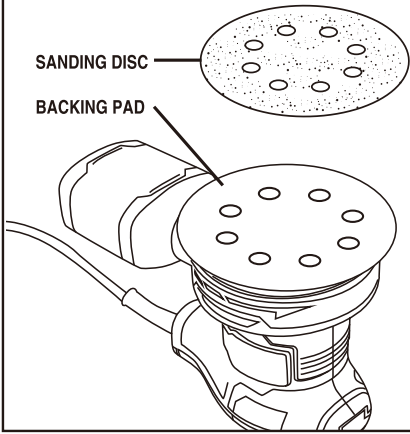
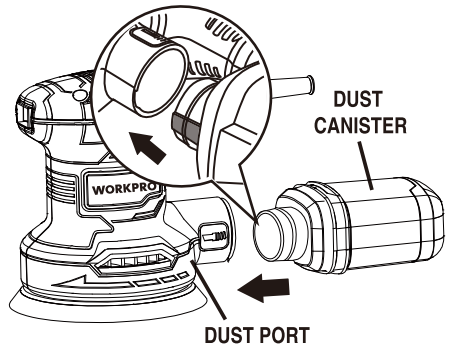


FIG. 5





Danger! - Read the operating instructions to reduce the risk of injury.



Caution! Wear ear-muffs. The impact of noise can cause damage to hearing.



Caution! Wear a breathing mask. Dust which is injurious to health can be generated when working on wood and other materials. Never use the device to work on any materials containing asbestos!



Caution! Wear safety goggles. Sparks generated during working or splinters, chips and dust emitted by the device can cause loss of sight.

⚠ Danger!

When using the equipment, a few safety precautions must be observed to avoid injuries and damage. Please read the complete operating instructions and safety regulations with due care. Keep this manual in a safe place, so that the information is available at all times. If you give the equipment to any other person, hand over these operating instructions and safety regulations as well. We cannot accept any liability for damage or accidents which arise due to a failure to follow these instructions and the safety instructions.

1. Safety regulations**⚠ Warning!**

Read all safety warnings, instructions, illustrations and specifications provided with this power tool. Failure to follow all instructions listed below may result in electric shock, fire and/or serious injury.

Save all warnings and instructions for future reference.

The term "power tool" in the warnings refers to your mains-operated (corded) power tool or battery-operated (cordless) power tool.

1) Work area safety

- **Keep work area clean and well lit.** Cluttered or dark areas invite accidents.
- **Do not operate power tools in explosive atmospheres, such as in the presence of flammable liquids, gases or dust.** Power tools create sparks which may ignite the dust or fumes.
- **Keep children and bystanders away while operating a power tool.** Distractions can cause you to lose control.

2) Electrical safety

- **Power tool plugs must match the outlet. Never modify the plug in any way.** Do not use any adapter plugs with earthed (grounded) power tools. Unmodified plugs and matching outlets will reduce risk of electric shock.
- **Avoid body contact with earthed or grounded surfaces, such as pipes, radiators, ranges and refrigerators.** There is an increased risk of electric shock if your body is earthed or grounded.
- **Do not expose power tools to rain or wet conditions.** Water entering a power tool will increase the risk of electric shock.
- **Do not abuse the cord. Never use the cord for carrying, pulling or unplugging the power tool.** Keep cord away from heat, oil, sharp edges or moving parts. Damaged or entangled cords increase the risk of electric shock.
- **When operating a power tool outdoors, use an**

extension cord suitable for outdoor use. Use of a cord suitable for outdoor use reduces the risk of electric shock.

- **If operating a power tool in a damp location is unavoidable, use a residual current device (RCD) protected supply.** Use of an RCD reduces the risk of electric shock.

3) Personal safety

- **Stay alert, watch what you are doing and use common sense when operating a power tool.** Do not use a power tool while you are tired or under the influence of drugs, alcohol or medication. A moment of inattention while operating power tools may result in serious personal injury.
- **Use personal protective equipment. Always wear eye protection.** Protective equipment such as a dust mask, non-skid safety shoes, hard hat or hearing protection used for appropriate conditions will reduce personal injuries.
- **Prevent unintentional starting. Ensure the switch is in the off-position before connecting to power source and/or battery pack, picking up or carrying the tool.** Carrying power tools with your finger on the switch or energising power tools that have the switch on invites accidents.
- **Remove any adjusting key or wrench before turning the power tool on.** A wrench or a key left attached to a rotating part of the power tool may result in personal injury.
- **Do not overreach.** Keep proper footing and balance at all times. This enables better control of the power tool in unexpected situations.
- **Dress properly.** Do not wear loose clothing or jewellery. Keep your hair and clothing away from moving parts. Loose clothes, jewellery or long hair can be caught in moving parts.
- **If devices are provided for the connection of dust extraction and collection facilities, ensure these are connected and properly used.** Use of dust collection can reduce dust-related hazards.
- **Do not let familiarity gained from frequent use of tools allow you to become complacent and ignore tool safety principles.** A careless action can cause severe injury within a fraction of a second.

4) Power tool use and care

- **Do not force the power tool.** Use the correct power tool for your application. The correct power tool will do the job better and safer at the rate for which it was designed.
- **Do not use the power tool if the switch does not turn it on and off.** Any power tool that cannot be controlled with the switch is dangerous and must be repaired.

- **Disconnect the plug from the power source and/or remove the battery pack, if detachable, from the power tool before making any adjustments, changing accessories, or storing power tools.** Such preventive safety measures reduce the risk of starting the power tool accidentally.
- **Store idle power tools out of the reach of children and do not allow persons unfamiliar with the power tool or these instructions to operate the power tool.** Power tools are dangerous in the hands of untrained users.
- **Maintain power tools and accessories. Check for misalignment or binding of moving parts, breakage of parts and any other condition that may affect the power tool's operation.** If damaged, have the power tool repaired before use. Many accidents are caused by poorly maintained power tools.
- **Keep cutting tools sharp and clean.** Properly maintained cutting tools with sharp cutting edges are less likely to bind and are easier to control.
- **Use the power tool, accessories and tool bits etc.** in accordance with these instructions, taking into account the working conditions and the work to be performed. Use of the power tool for operations different from those intended could result in a hazardous situation.
- **Keep handles and grasping surfaces dry, clean and free from oil and grease.** Slippery handles and grasping surfaces do not allow for safe handling and control of the tool in unexpected situations.

5) Service

- **Have your power tool serviced by a qualified repair person using only identical replacement parts.** This will ensure that the safety of the power tool is maintained.

2. Layout and Unpacking

2.1 Layout (Fig. 1)

- A. On/Off Switch
- B. Speed Control Switch
- C. Ventilation Slots
- D. Micro-Filter
- E. Dust Canister
- F. Sanding Disc For Sanding x 20(60 grits, 80 grits, 120 grits, 180 grits, 240 grits each 4 pieces)

2.2 Items supplied

Please check that the article is complete as specified in the scope of delivery. If parts are missing, please contact our service center.

- Open the packaging and take out the equipment with care.
- Remove the packaging material and any packaging and/or transportation braces (if available).
- Check to see if all items are supplied.
- Inspect the equipment and accessories for transport damage.
- If possible, please keep the packaging until the end of the guarantee period.

Danger!

The equipment and packaging material are not toys. Do not let children play with plastic bags, foils or small parts. There is a danger of swallowing or suffocating!

- Random Orbit Sander
- Sandpaper (60grits,80grits,120grits,180grits,240grits, each 4)
- Operator's Manual

3. Proper use

The equipment is designed for the grinding/sanding of wood, iron, plastic and similar materials using the appropriate grinding/sanding paper. The machine is not suitable for wet grinding/sanding.

The equipment is to be used only for its prescribed purpose. Any other use is deemed to be a case of misuse. The user / operator and not the manufacturer will be liable for any damage or injuries of any kind caused as a result of this.

Please note that our equipment has not been designed for use in commercial, trade or industrial applications. Our warranty will be voided if the machine is used in commercial, trade or industrial businesses or for equivalent purposes.

4. Technical data

Sanding Disc Diameter	125 mm
Motion	Random Orbit
Orbit Diameter	2 mm
No Load Speed	7,000 -13,000 Orbits/Min.
Input	230 Volts,50 Hz,AC only,300 W
Net Weight	1.23 kgs

Danger!

Sound and vibration

Sound and vibration values were measured in accordance with EN 60745.

L_{pA} sound pressure level	83 dB(A)
K_{pA} uncertainty	3 dB
L_{WA} sound power level	94 dB(A)
K_{WA} uncertainty	3 dB

Wear ear-muffs.

The impact of noise can cause damage to hearing.

Total vibration values (vector sum of three directions) determined in accordance with EN 60745.

Handle

Vibration emission value $a_h = 6.2 \text{ m/s}^2$

Uncertainty $K = 1.5 \text{ m/s}^2$

Warning!

The specified vibration value was established in accordance with a standardized testing method. It may change according to how the electric equipment is used and may exceed the specified value in exceptional circumstances.

The specified vibration value can be used to compare the equipment with other electric power tools.

The specified vibration value can be used for initial assessment of a harmful effect.

Keep the noise emissions and vibrations to a minimum.

- Only use appliances which are in perfect working order.
- Service and clean the appliance regularly.
- Adapt your working style to suit the appliance.
- Do not overload the appliance.
- Have the appliance serviced whenever necessary.
- Switch the appliance off when it is not in use.
- Wear protective gloves.

Caution!

Residual risks

Even if you use this electric power tool in accordance with instructions, certain residual risks cannot be ruled out. The following hazards may arise in connection with the equipment's construction and layout:

- Lung damage if no suitable protective dust mask is used.
- Damage to hearing if no suitable ear protection is used.
- Health damage caused by hand-arm vibrations if the equipment is used over a prolonged period or is not

properly guided and maintained.

5. Before starting the equipment

Before you connect the equipment to the mains supply make sure that the data on the rating plate are identical to the mains data.

Warning!

Always pull the power plug before making adjustments to the equipment.

5.1 Using the dust canister

Removing and installing dust canister

- Unplug the sander.
- To remove dust canister, Pull the dust canister away from the dust port (Fig. 5).
- To install dust canister, align dust port with hole in dust canister (Note that the protrusion on the dust canister should be aligned with the groove of the dust port),push the canister into the dust port until it locks into place.

Warning!

Failure to unplug the tool could result in accidental starting causing possible serious injury.

Cleaning and emptying the dust canister

- For more efficient operation, empty the dust canister when it is no more than half full. This will permit the air to flow through the canister better. Always empty and clean the dust canister thoroughly upon completion of a sanding operation and before placing the sander in storage.
- To empty canister, remove dust canister and pour out the dust inside.

NOTE: Do not wash the micro filter with soap and water. Dust may become more firmly lodged in the pores, which will reduce dust collection, and damage the micro filter.

5.2 Attaching sanding discs (Fig. 4)

NOTE: Use only 125mm hook-and-loop sanding discs which can be found at local home centers and hardware stores.

- Unplug the sander.
- Align the holes in the hook-and-loop sanding disc with the holes in the backing pad.

NOTE: Line up the holes in the sanding disc with the holes in the backing pad in order for the dustless feature to function properly.

- Press the fuzzy side of the sanding disc against the backing pad as firmly as possible.

NOTE: You can reuse hook-and-loop type sanding discs for the life of the sanding abrasive. We

recommend that you clean the backing pad occasionally by brushing it lightly with a small brush for best adhesion.

6. Operation

6.1 Switching the equipment ON/OFF (Fig. 2)

To switch on:

Press the rocker switch to "I" to turn the sander on.

To switch off:

Press the rocker switch to "O" to turn the sander off.

6.2 Speed control (Fig. 3)

The variable speed feature allows the sander to operate at speeds that can be adjusted by rotating the dial from 1 to 6.

The dial is conveniently located on the motor housing, allowing operator control of disc speed. Follow these directions to adjust the speed.

To increase the speed: Turn the dial to a higher setting (towards 6).

To decrease the speed: Turn the dial to a lower setting (towards 1).

6.3 Working with the eccentric grinder/sander

- Place the whole surface area of the sanding disk on the material.
- Switch on the machine and move it with gentle pressure over the workpiece completely circular movements or moving it to and fro and up and down.
- Use a coarse paper for coarse sanding and a finer paper for finish sanding. You can find the best paper for the job by means of testing.

Caution!

The dust generated when working with the machine may be harmful.

- Always wear goggles and a dust mask when carrying out sanding/grinding work.
- Everybody who uses the machine or enters the workplace must wear a dust mask.
- Do not eat, drink or smoke at the workplace.
- Do not use the machine on paints which contain lead.

7. Replacing the power cable

Danger!

If the power cable for this equipment is damaged, it must be replaced by the manufacturer or its after-sales service or similarly trained personnel to avoid danger.

8. Cleaning, maintenance and ordering of spare parts

Danger!

Always pull out the mains power plug before starting any cleaning work.

8.1 Cleaning

- Keep all safety devices, air vents and the motor housing free of dirt and dust as far as possible. Wipe the equipment with a clean cloth or blow it with compressed air at low pressure.
- We recommend that you clean the device immediately each time you have finished using it.
- Clean the equipment regularly with a moist cloth and some soft soap. Do not use cleaning agents or solvents; these could attack the plastic parts of the equipment. Ensure that no water can seep into the device. The ingress of water into an electric tool increases the risk of an electric shock.

8.2 Carbon brushes

In case of excessive sparking, have the carbon brushes checked only by a qualified electrician.

Danger!

The carbon brushes should not be replaced by anyone but a qualified electrician.

8.3 Maintenance

There are no parts inside the equipment which require additional maintenance.

9. Disposal and recycling

The equipment is supplied in packaging to prevent it from being damaged in transit. The raw materials in this packaging can be reused or recycled. The equipment and its accessories are made of various types of material, such as metal and plastic. Never place defective equipment in your household refuse. The equipment should be taken to a suitable collection center for proper disposal. If you do not know the whereabouts of such a collection point, you should ask in your local council offices.

10. Storage

Store the equipment and accessories in a dark and dry place at above freezing temperature. The ideal storage temperature is between 5 and 30 °C. Store the electric tool in its original packaging.



Environmental protection

This product has been marked with a symbol relating to removing electric and electronic waste. This means that this product shall not be discarded with household waste but that it shall be returned to a collection system. It will then be recycled or dismantled in order to reduce the impact on the environment. Electric and electronic equipment can be hazardous for the environment and for human health since they contain hazardous substances.



Disposal of the packaging

The packaging consists of cardboard and correspondingly marked plastics that can be recycled. Make these materials available for recycling.

EC-DECLARATION OF CONFORMITY

Herewith we,

Zhejiang Wuyi Gongli Electric Machine Co., Ltd.

Feng Huang Shan Industrial Zone, Dong Gan, Wuyi County,

321201 Zhejiang, P.R. China

Declare that the following Appliance complies with the appropriate basic safety and health requirements of the EC Directives(see item 4) based on its design and type, as brought into circulation by us.

This declaration relates exclusively to the machinery in the state in which it was placed on the market, and excludes components which are added and/or operations carried out subsequently by the final user.

1. Product: Sander
2. Model No.: S1A-GW2-125
3. Serial number: N/A
4. Applicable EC Directives: Machinery Directive 2006/42/EC

EMC Directive 2014/30/EU

Used Harmonized Standards: EN 62841-1: 2015

EN 62841-2-4: 2014

EN IEC 55014-1:2021

EN IEC 55014-2:2021

EN IEC 61000-3-2:2019+A1

EN 61000-3-3:2013+A1+A2

5. Responsible for documentation:

Name: Scruffs Workwear Ltd

Address: Boundary Way, Lufton Trading Estate, Yeovil, Somerset, BA22 8HZ

Contact Person: Carol Huang

E-mail: support@scruffs.com

6. Additional used EC Directives: N/A

7. Date/place/Name/Authorized signature

2023-11-30/Wuyi/Qiao Tong



8. Title of Signatory:

Engineer

WORKPRO