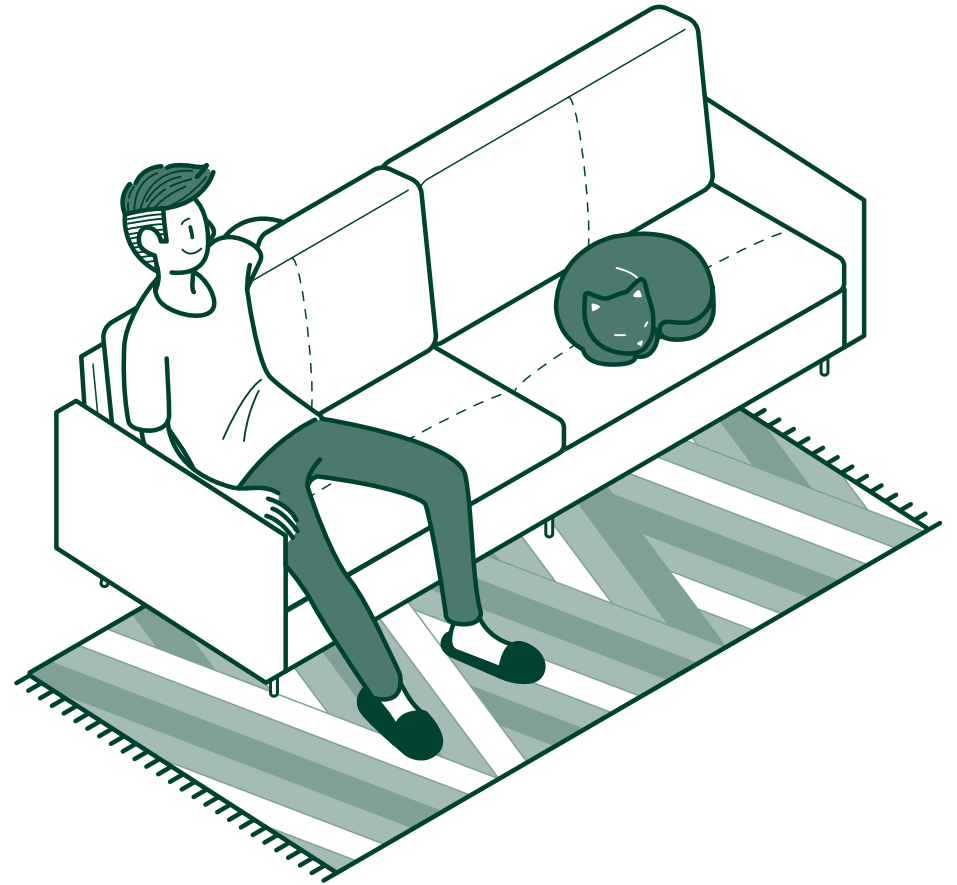
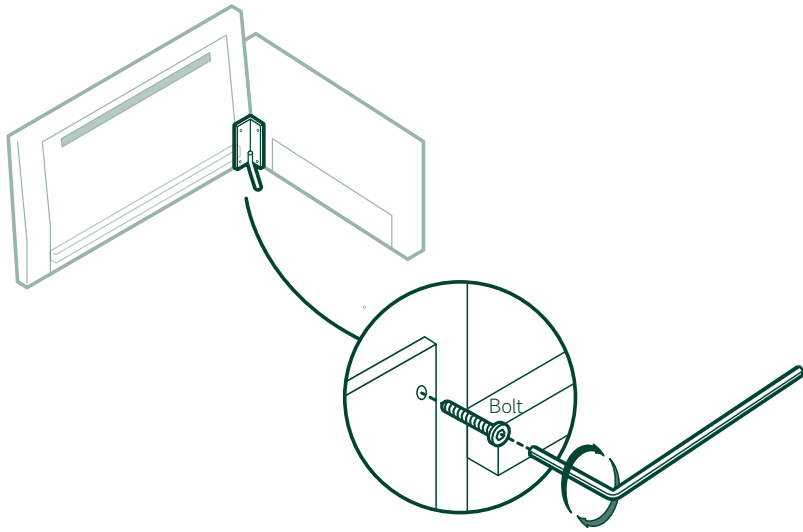
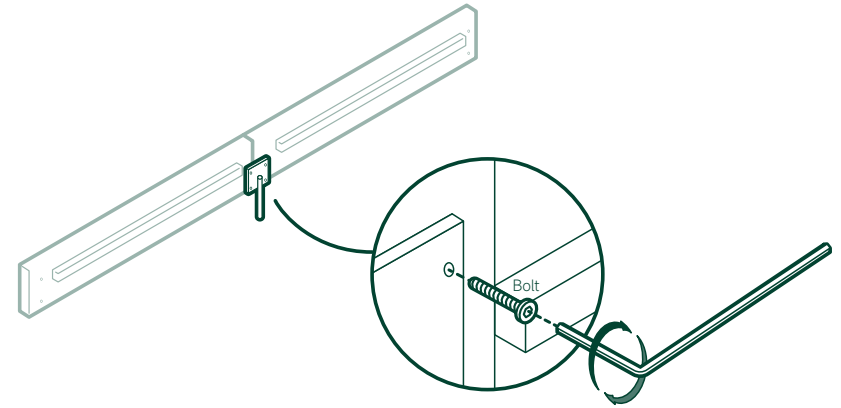


◆ Catch the Zzz ◆

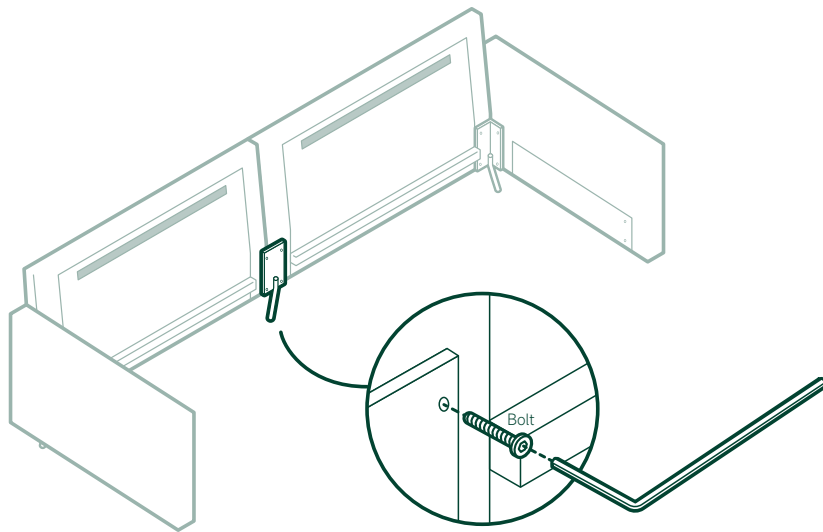


1

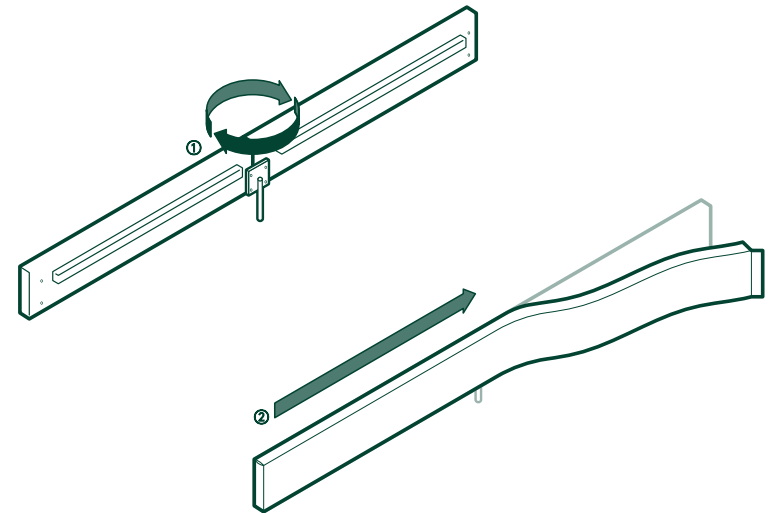
1. Attach right armrest to a backrest with the rear side leg.
Repeat to attach left armrest to the other backrest.

3

3. Connect the front panels with the front middle leg.

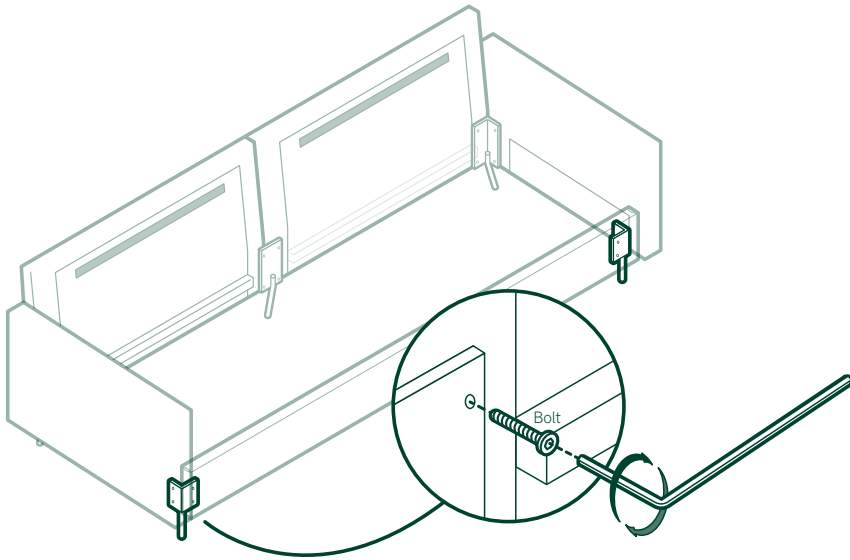
2

2. Connect left and right backrest with the rear middle leg.

4

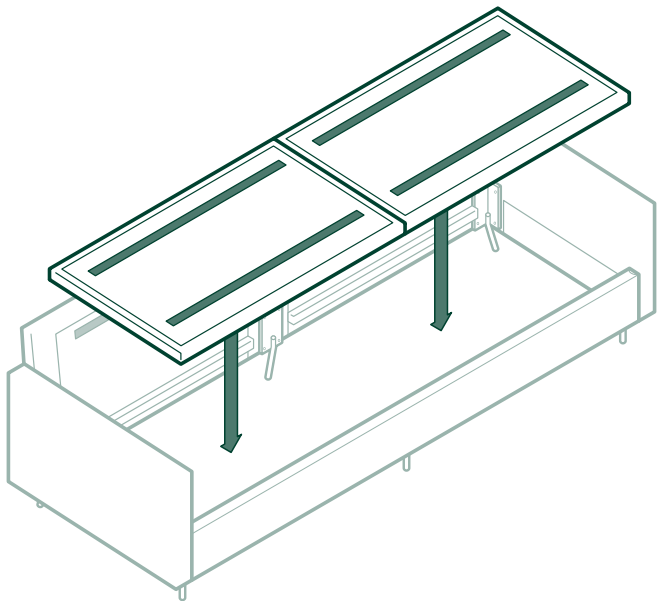
4. Stick the front panel cover to the front panels.

5



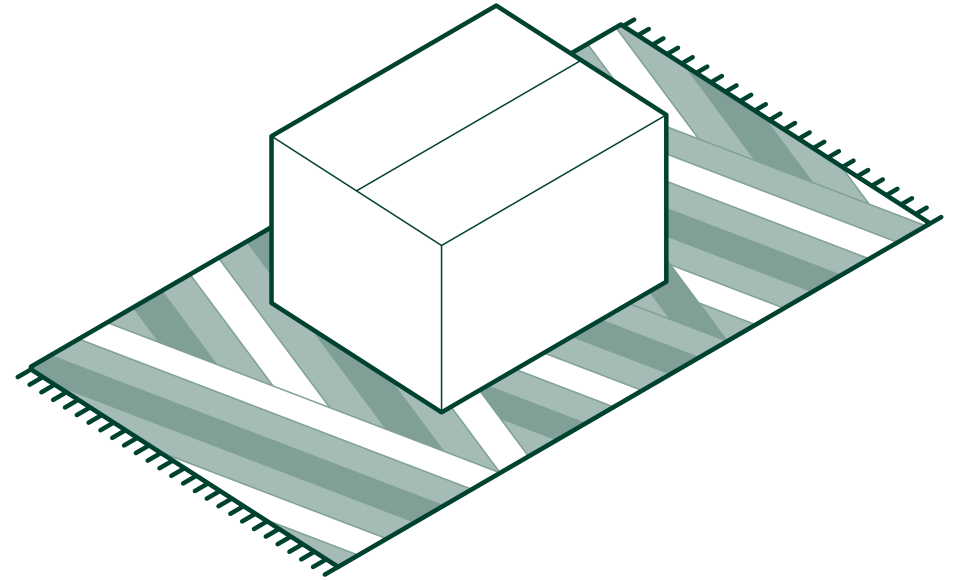
5. Connect the upholstered front panel and the armrests with the front side legs.

6



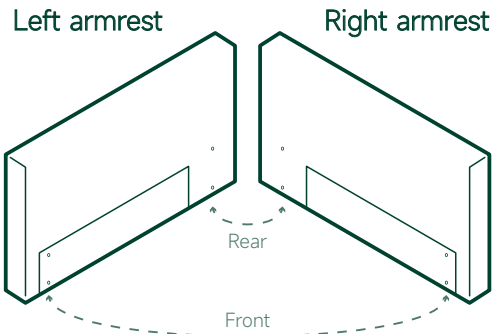
6. Put the seat panels on the assembled frame.

Assemble

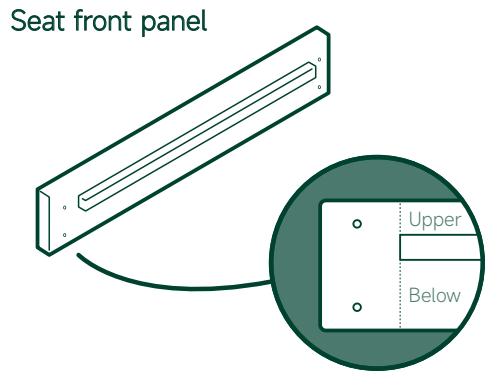


◆ It is recommended to assemble on a carpet. ◆

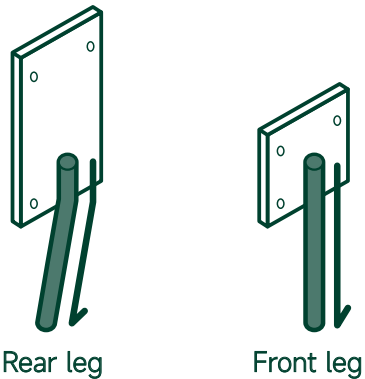
◆ Tips ◆



Please make sure you distinguish between left and right armrest.

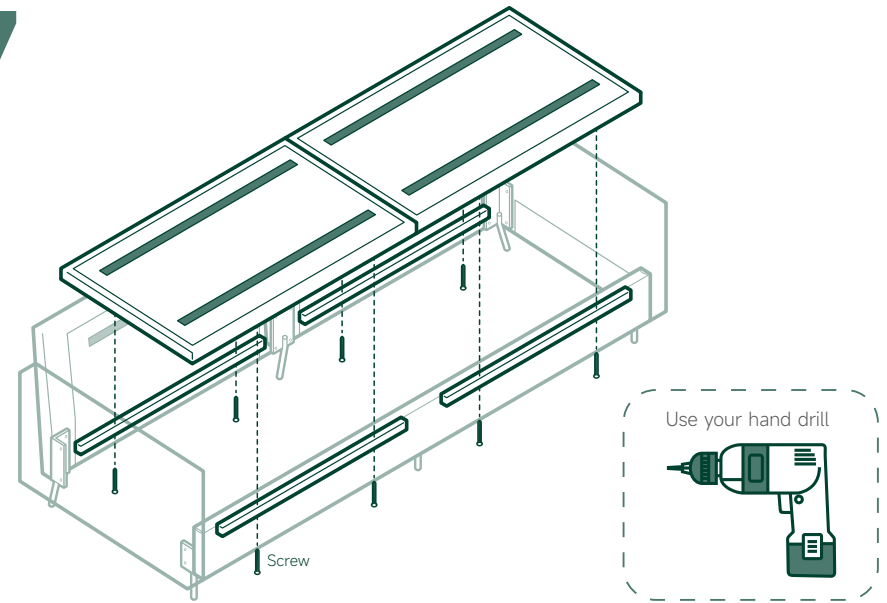


The Seat front panels are not symmetrical up and down.



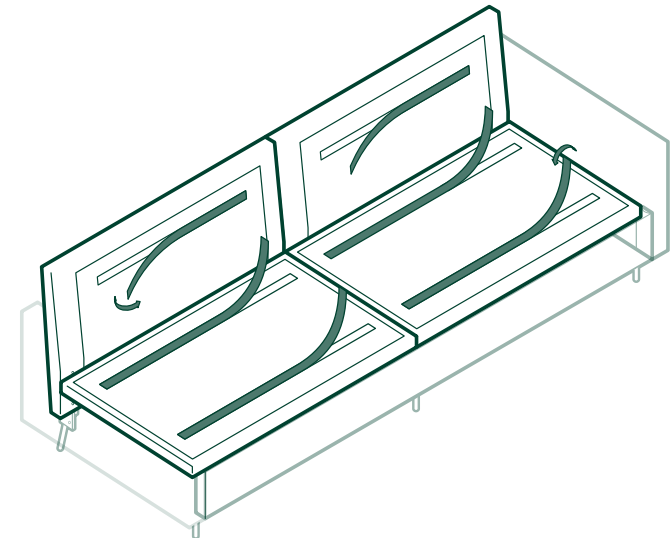
The front legs are straight and the rear legs are not.

7



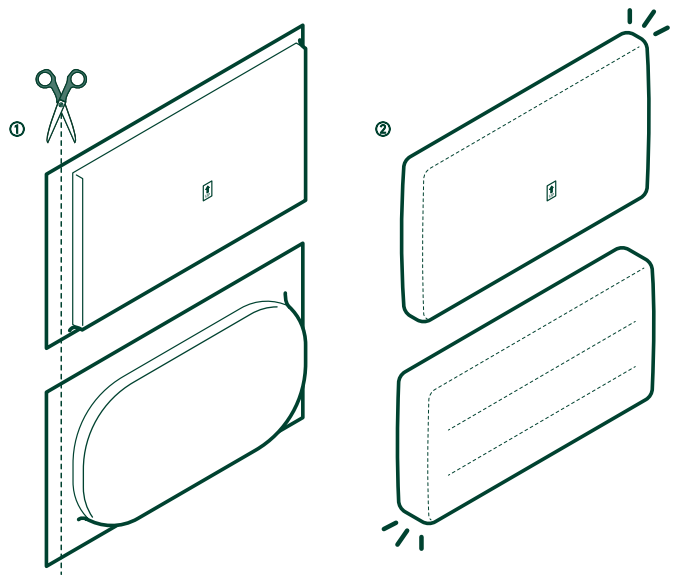
7. Attach the seat panels to the frame with screws.

8



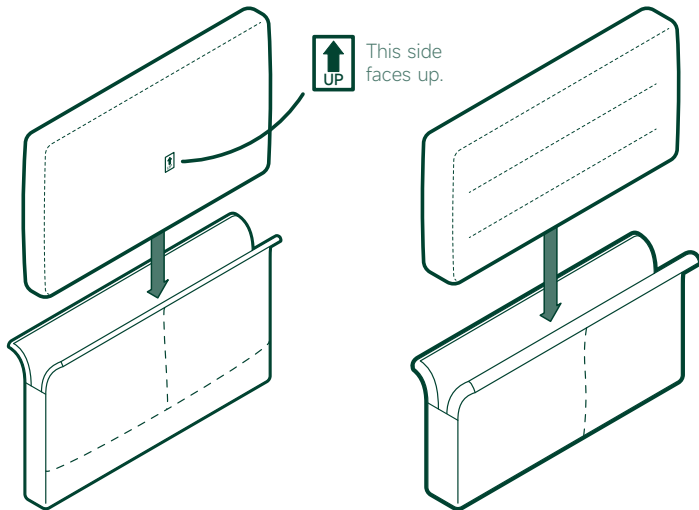
8. Remove the hook & loop protector.

9



9. Scissor and decompress the seat and back cushions.

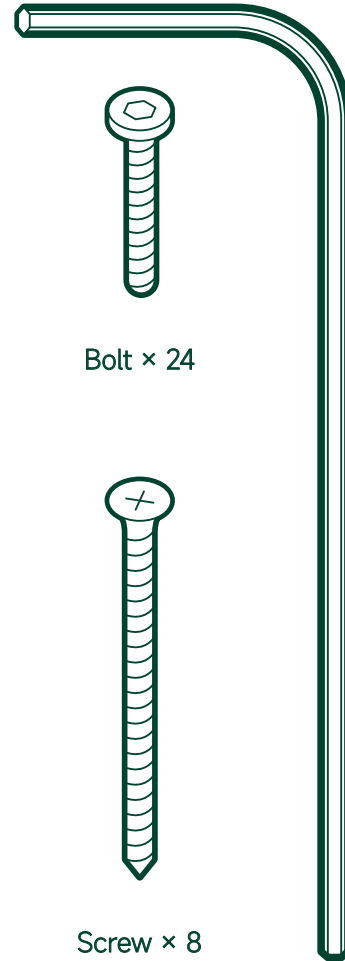
10



10. Stuff the leather covers with the back and seat cushions.

◆ Metal parts ◆

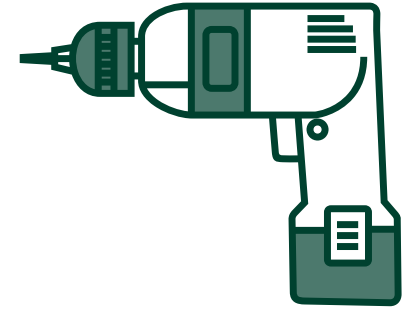
Hexwrench × 1



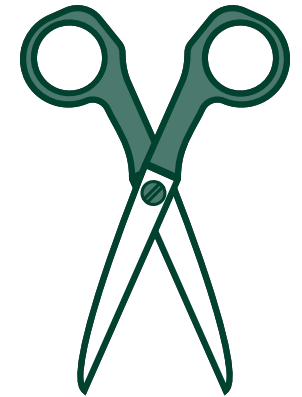
Bolt × 24

Screw × 8

◆ Prepare yourself ◆



Hand drill × 1

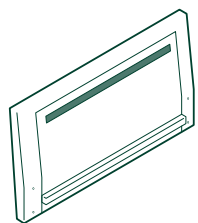


Scissors × 1

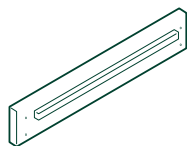
Please check these metal parts.

These tools are helpful for the assembly.

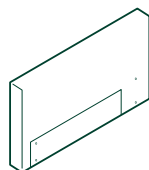
◆ Check the components before assembly ◆



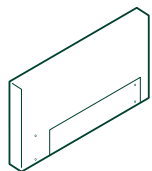
A. Backrest × 2



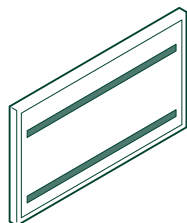
B. Seat front panel × 2



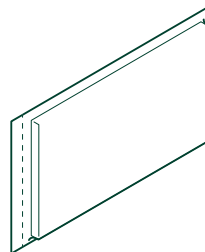
C. Left armrest × 1



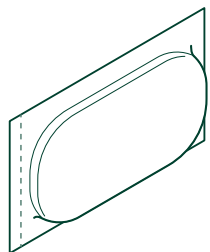
D. Right armrest × 1



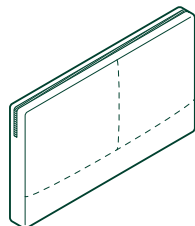
E. Seat panel × 2



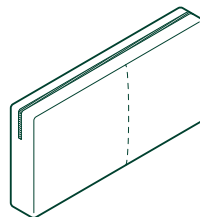
F. Seat cushion × 2



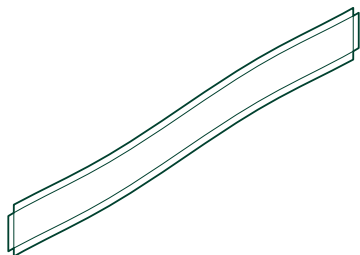
G. Back cushion × 2



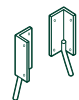
H. Seat cushion cover × 2



I. Back cushion cover × 2



J. Front panel cover × 1



K. Rear side legs



M. Front side legs

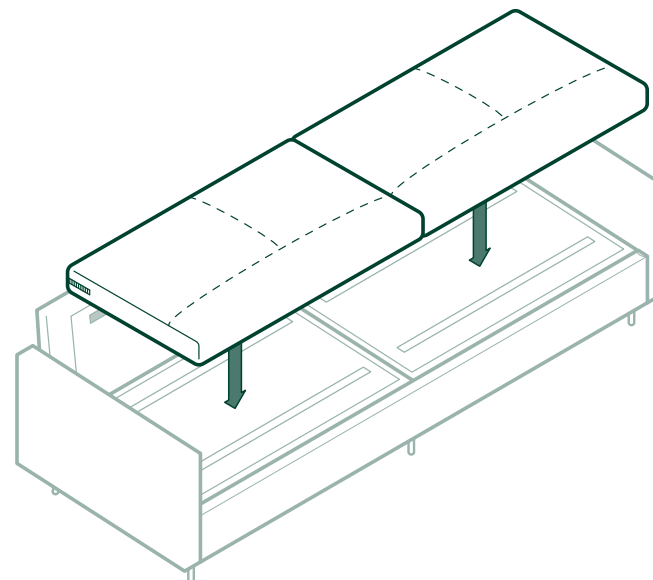


L. Rear middle leg



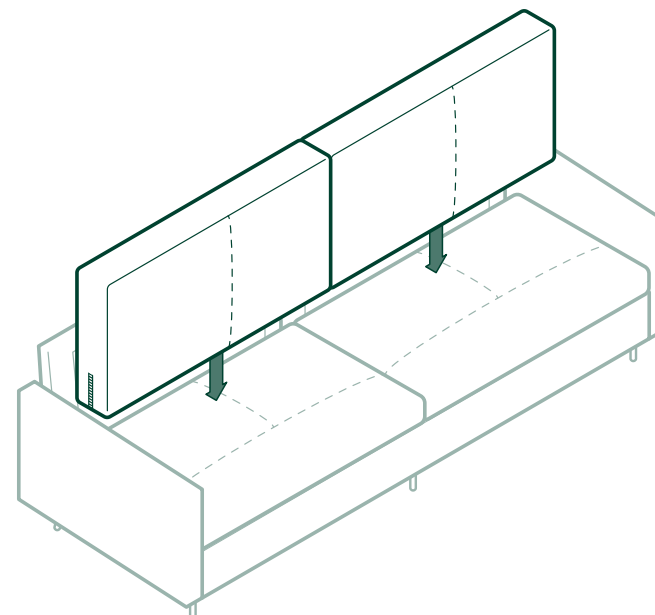
N. Front middle leg

11



11. Attach the leather seat cushions to the seat panels with hook & loop tape.

12



12. Place backrests and immerse yourself in comfort.

Guarantee

Go to website joining in Z-HOM lifetime membership now and you will get:

※Free warranty for 5 years of your Z-HOM furniture.

 www.z-homliving.com

 service@z-homliving.com

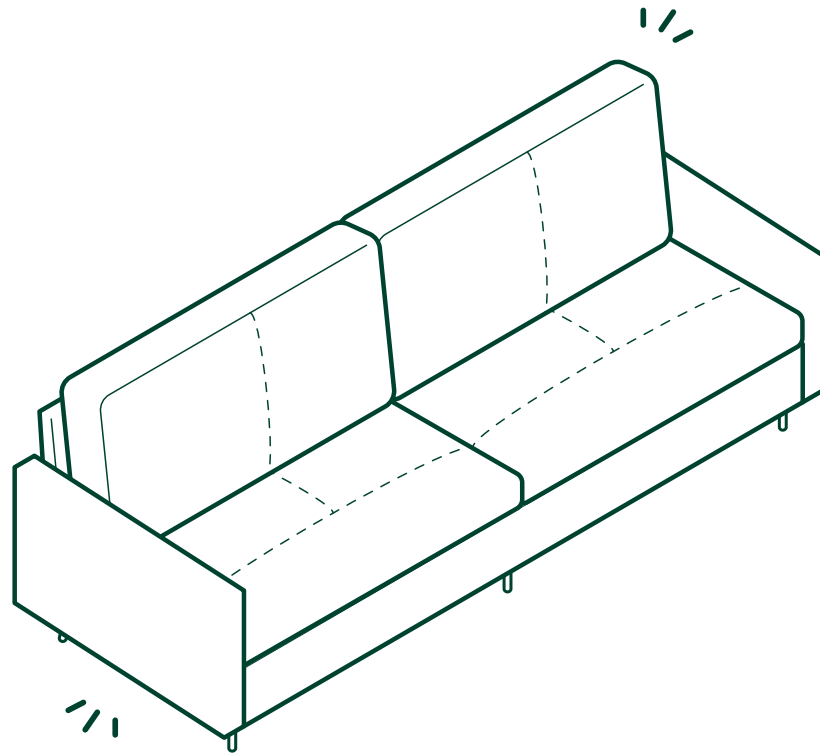
We are delighted to view your achievement of your new home on social media.

Please remember to tagging with #Z-HOM.



Z- HOM reserves the right of final interpretation of guarantee.

For more details, please contact service@z-homliving.com



Neat and trim, All done! Enjoy!