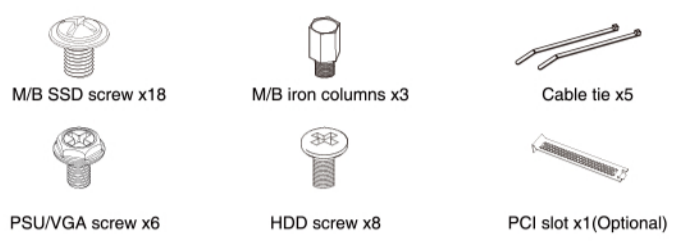


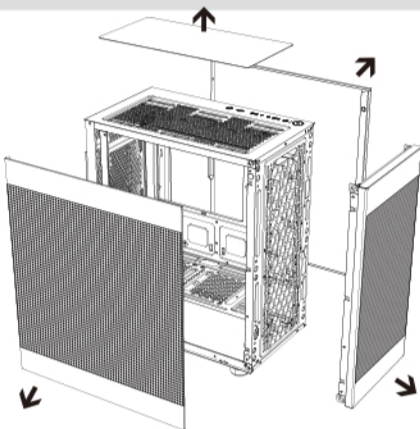
Material:	0.5mm (SPCC)
Chassis Dimensions:	(H)438 x (W)212 x (D)393mm
Motherboard:	Micro ATX / ITX
I/O Port:	Type-C x1/ USB3.0 x2/ Audio 1+2
3.5" + 2.5" Drive Bays:	1+2
PCI-E Slots:	4
Max CPU Cooler Height:	165mm
Max GPU Length:	330mm
Max Psu Length & Location:	180mm @Rear Bottom
Cooling Fan Support:	Front: 120mm x3 or 140mm x2 Top: 120mm x2 or 140mm x2 Rear: 120mm x1 PSU Compartment: 120mm x2
Liquid Cooling Support:	Top: 240/ 280mm Rear: 120mm



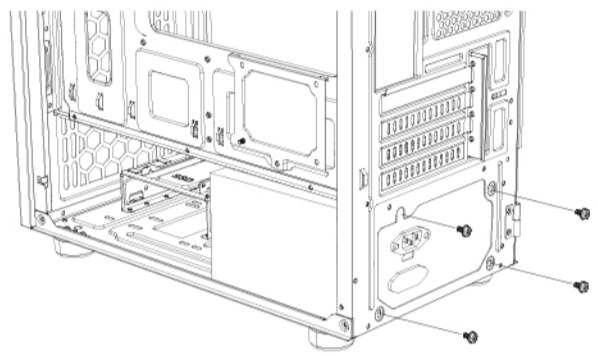
MH200

M-ATX PC CHASSIS

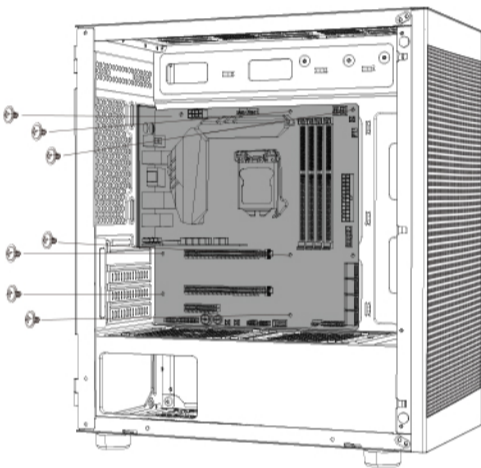
A Remove the panel



C Install power supply



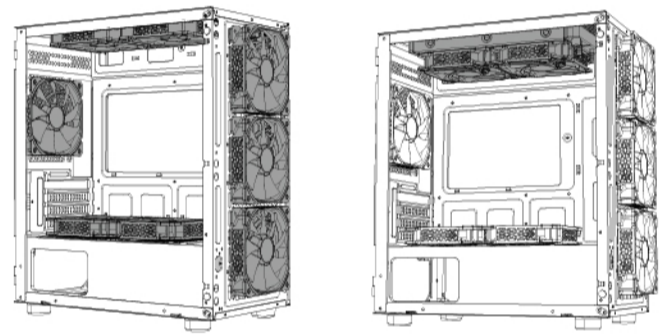
B Install motherboard



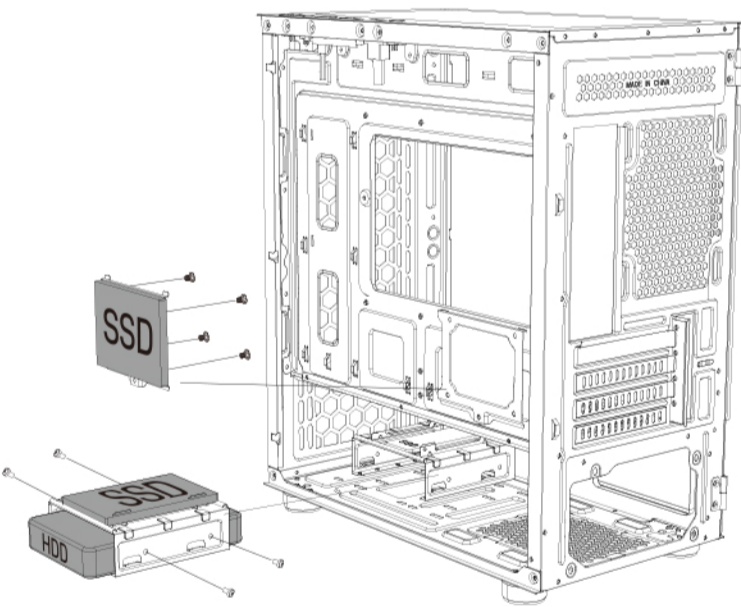
D Install fan and liquid radiator

Fan support:
Front: 120mm x3 or 140mm x2
Top: 120mm x2 or 140mm x2
Rear: 120mm x1
PSU Compartment: 120mm x2

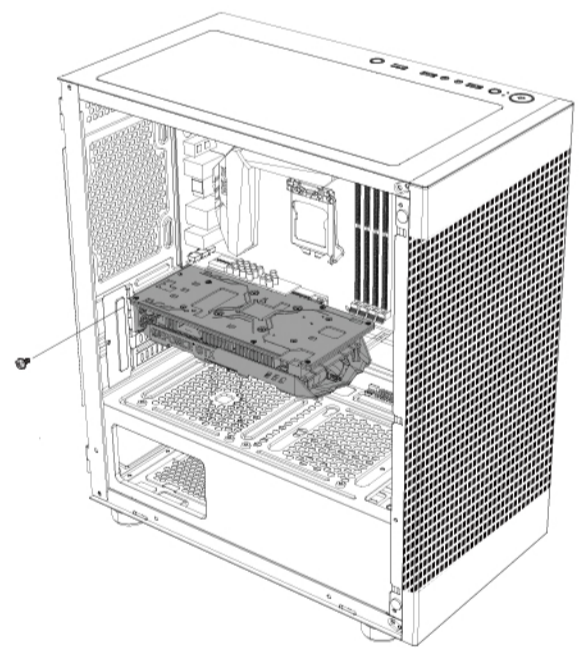
Liquid radiator support:
Top: 240 / 280mm
Rear: 120mm



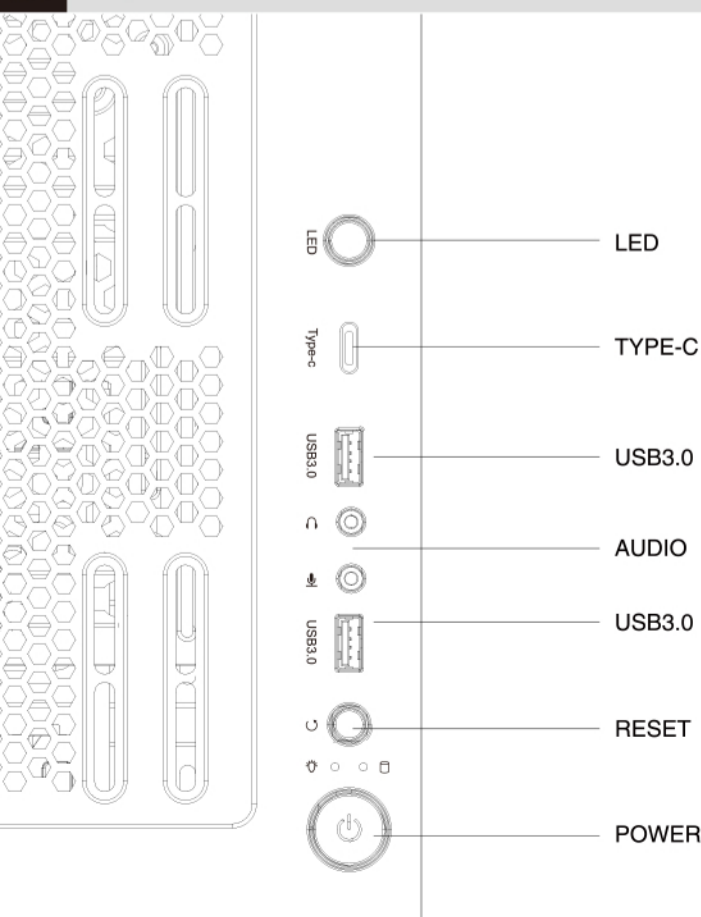
E Install HDD & SSD



F Install Graphics card



G I/O panel



Output cable ports

