

Maintenance

Repair

⚠ Do not attempt to repair or service your instrument unless you are qualified to do so and have the relevant calibration, performance test and service information.

Replacing the Fuse

Turn off the power switch, remove the power line cord from the power socket and disconnect the test leads at output terminals before replacing the fuse. Replace it only with same type of fuse.

Cleaning

To clean the DC Power Supply, use a soft cloth dampened in a solution of mild detergent and water. Do not spray cleaner directly onto the device, since it may leak into the cabinet and cause damage. Do not use chemicals containing benzene, toluene, xylene, acetone, or similar solvents. Do not use abrasive cleaners on any portion of the power supply.



LONGWEI INSTRUMENTS CO.,LTD

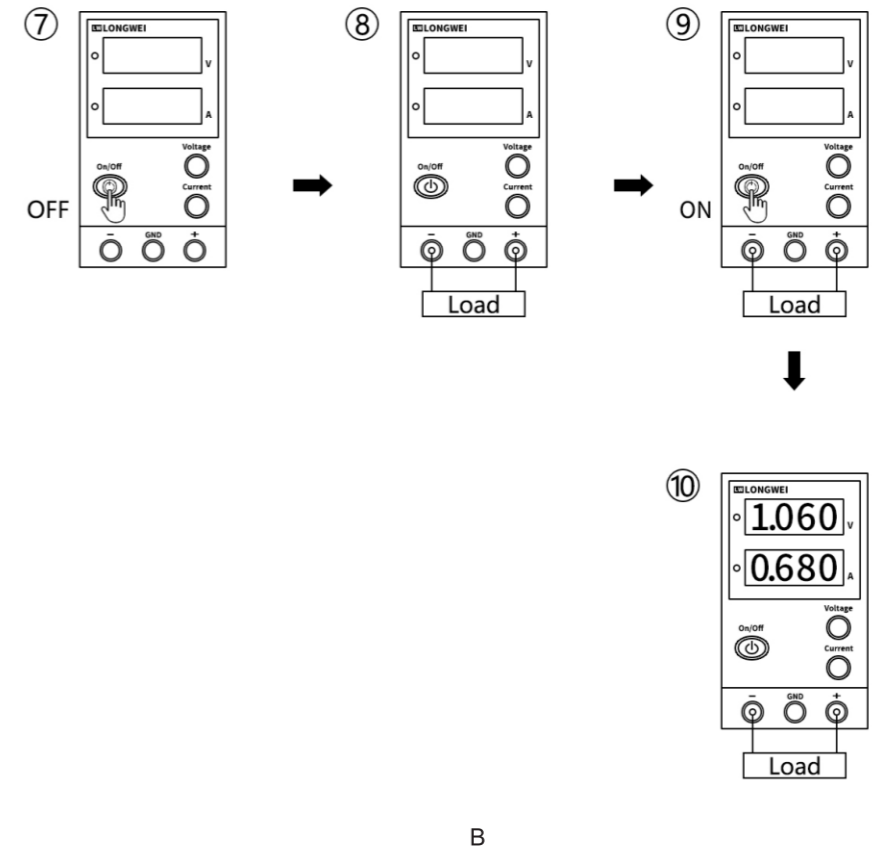
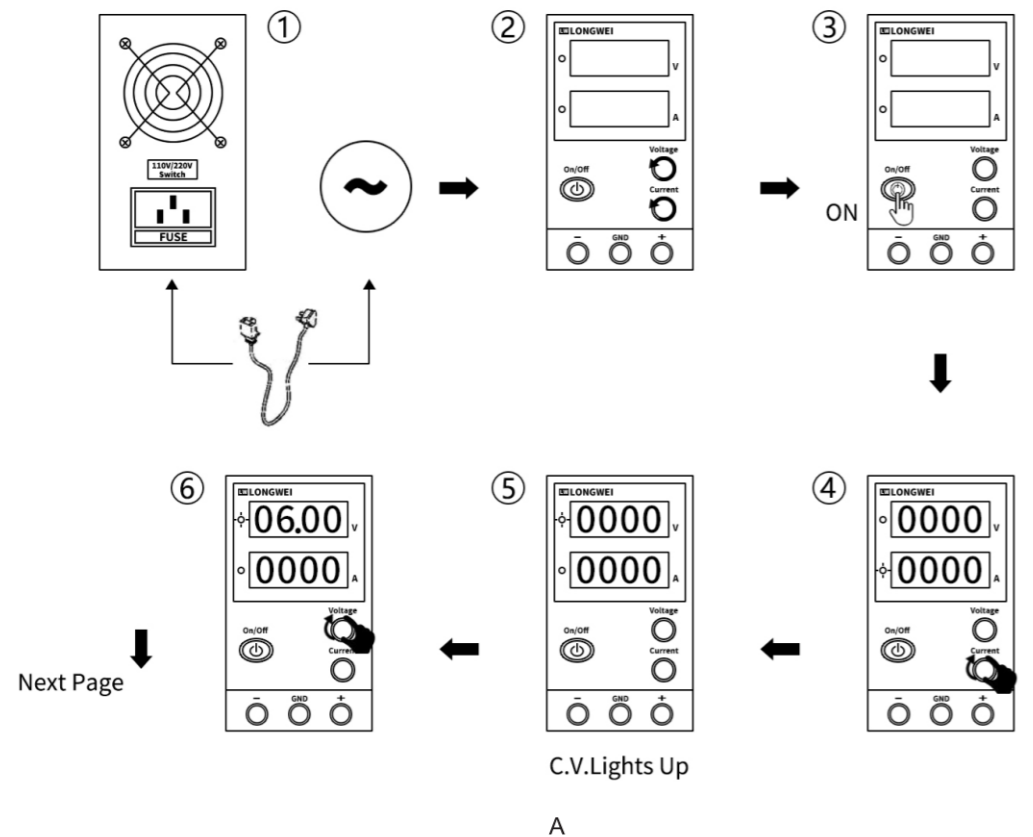
LW DC POWER SUPPLY English User Manual

LW-K305D
LW-K3010D
LW-K605D

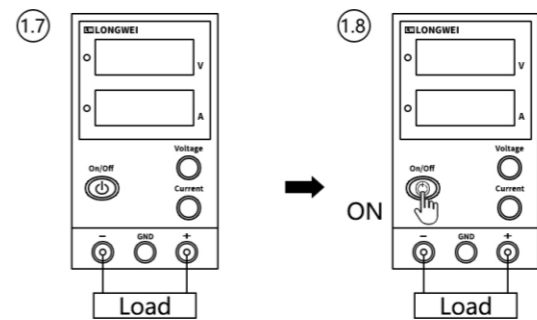
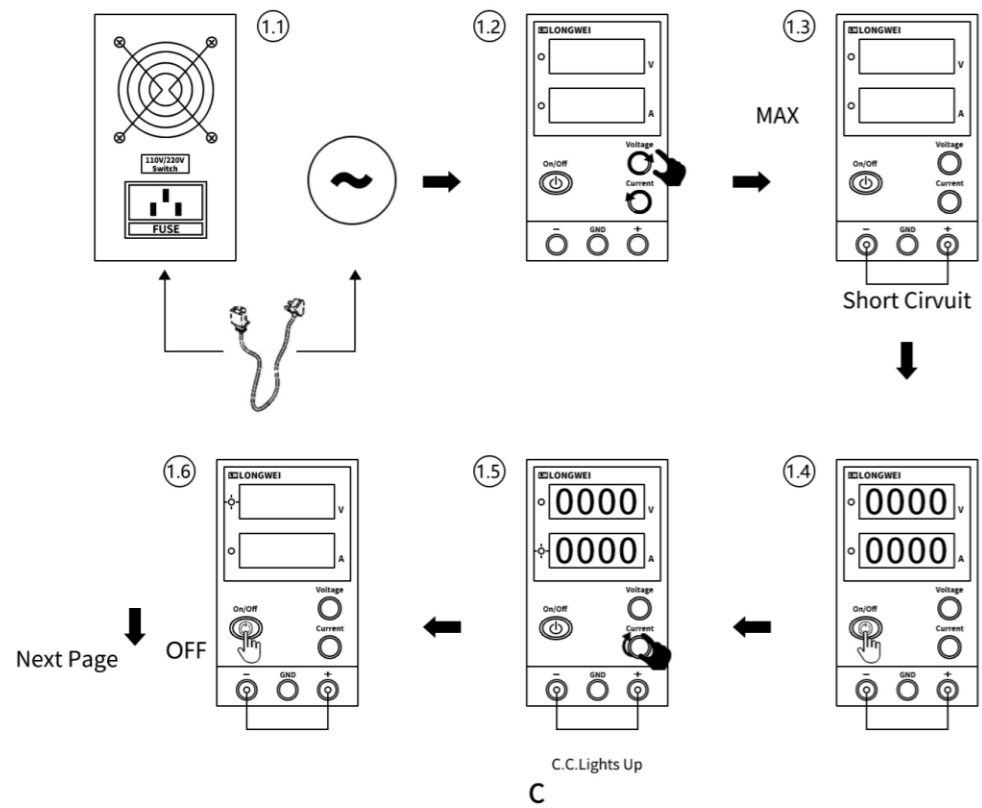
Made in China



Step chart for Constant Voltage Output (C. V. Mode)



Step chart for Constant Current Output (C. C. Mode)



D

EN - User Manual

Table of Contents

| | |
|---------------------------------------|---|
| Introduction | 2 |
| Intended use | 2 |
| Controls and Indicators | 3 |
| Operation | 4 |
| Constant Voltage Mode(C.V.Mode) | 4 |
| Constant Current Mode(C.C.Mode) | 5 |
| Technical parameters | 6 |
| Maintenance | 7 |
| Repair | 7 |
| Replacing the Fuse | 7 |
| Cleaning | 7 |

Introduction

Dear customer,

Thank you for purchasing this product.

This product complies with the statutory national and European requirements. To maintain this status and to ensure safe operation, you as the user must observe these operating instructions!

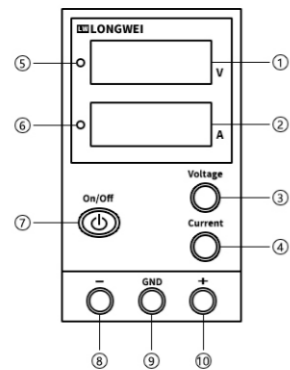


These operating instructions contain important notes on commissioning and handling. Retain these operating instructions for reference!

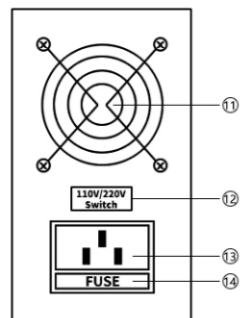
Intended use

This power supply is DC regulated power supply. It can output and display constant voltage and constant current, equipped with cooling fan, over temperature protection, overload protection.

Controls and Indicators



1. Output voltage display .
2. Output current display
3. Voltage setting
4. Current setting
5. Voltage indicator
6. Current indicator
7. Power ON/OFF switch
8. Negative output terminal
9. Ground output terminal
10. Positive output terminal
11. Fan



12. 110W/220W switch
13. Power Connection
14. Concealed fuse box(Open the back cover to get the fuse)

Operation



Please strictly follow the instruction to avoid machine malfunction or possible injury caused by electricity.

Constant Voltage Mode (C.V. Mode)

Step-by-step illustration on Page A-B

- (1) Connect the three-wire power cord with a Standard AC outlet.
- (2) ⚠ Turn all 2 knobs (Voltage Regulator, Current Regulator), anti-clockwise to minimum position before using.
- (3) Press the power switch. The power indicator (red LED) on the front panel will automatically light.
- (4) Turn the Current Regulator clockwise to maximum position until the C.V. indicator lights up.
- (5) Turn the Voltage Regulator clockwise to that you are desirous of output voltage value.
- (6) ⚠ Always press the power switch and shut it off before connecting the positive output terminal and negative output terminal with a load or similar component. Then switch it on.

(7) The output voltage will be displayed. Current can't be changed in C.V. Mode.

NOTE: The working mode is decided by the load current and the traction current. In Constant Voltage Mode, the current is determined by the load. The larger the load, the smaller is the current.

Constant Current Mode (C.C. Mode)

Step-by-step illustration on Page C-D

- (1) Connect the three-wire power cord with a Standard AC outlet.
- (2) ⚠ Turn the Voltage Regulator clockwise to maximum position and the Current Regulator anti-clockwise to minimum position.
- (3) ⚠ Connect the positive output terminal and the negative output terminal with a wire (one included) and bring it to a short circuit.
- (4) ⚠ Press the power switch to turn it on. The C.C. indicator lights up, which means it's on C.C. Mode.
- (5) Turn the Current Regulator clockwise to that you are desirous of output current value.
- (6) Always press the power switch and shut it off before connecting the positive output terminal and negative output terminal with a load or similar component. Then switch it on.
- (7) The output current will be displayed. Voltage can't be changed in C.C. Mode.
- (8) NOTE: The working mode is decided by the load current and the traction current. In Constant Current Mode, the voltage is determined by the load. The smaller the load, the smaller the voltage.

Technical parameters

| | |
|---------------------------|--|
| Rated working conditions: | 110V-130V, 50Hz / 220V-240V, 60Hz |
| Power supply effect : | CV \leq 0.1%+10mV, CC \leq 0.1%+10mA |
| Load effect : | CV \leq 0.1%+5mV, CC \leq 0.1%+10Mv |
| Ripple and noise: | CV \leq 20mV r.m.s., CC \leq 20mA r.m.s. |
| Display mode: | 3-digit LED display/4-digit LED display |
| Display accuracy: | $\pm 1\% \pm 1 / \pm 0.1\% \pm 1$ |
| Working conditions: | -10 °C ~ 40 °C, Relative humidity: <80% |
| Storage conditions: | -20 °C ~ 80 °C, Relative humidity: <70% |
| Dimensions: | 220x160x70mm. |

| The Series Switching Power Supply | |
|-----------------------------------|-----------------------|
| Output Voltage Range: | Output Current Range: |
| 0-30V | 0-5A |
| 0-30V | 0-10A |
| 0-60V | 0-5A |