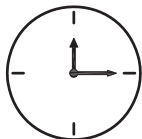
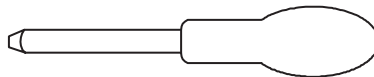


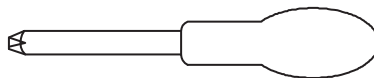
2 Person



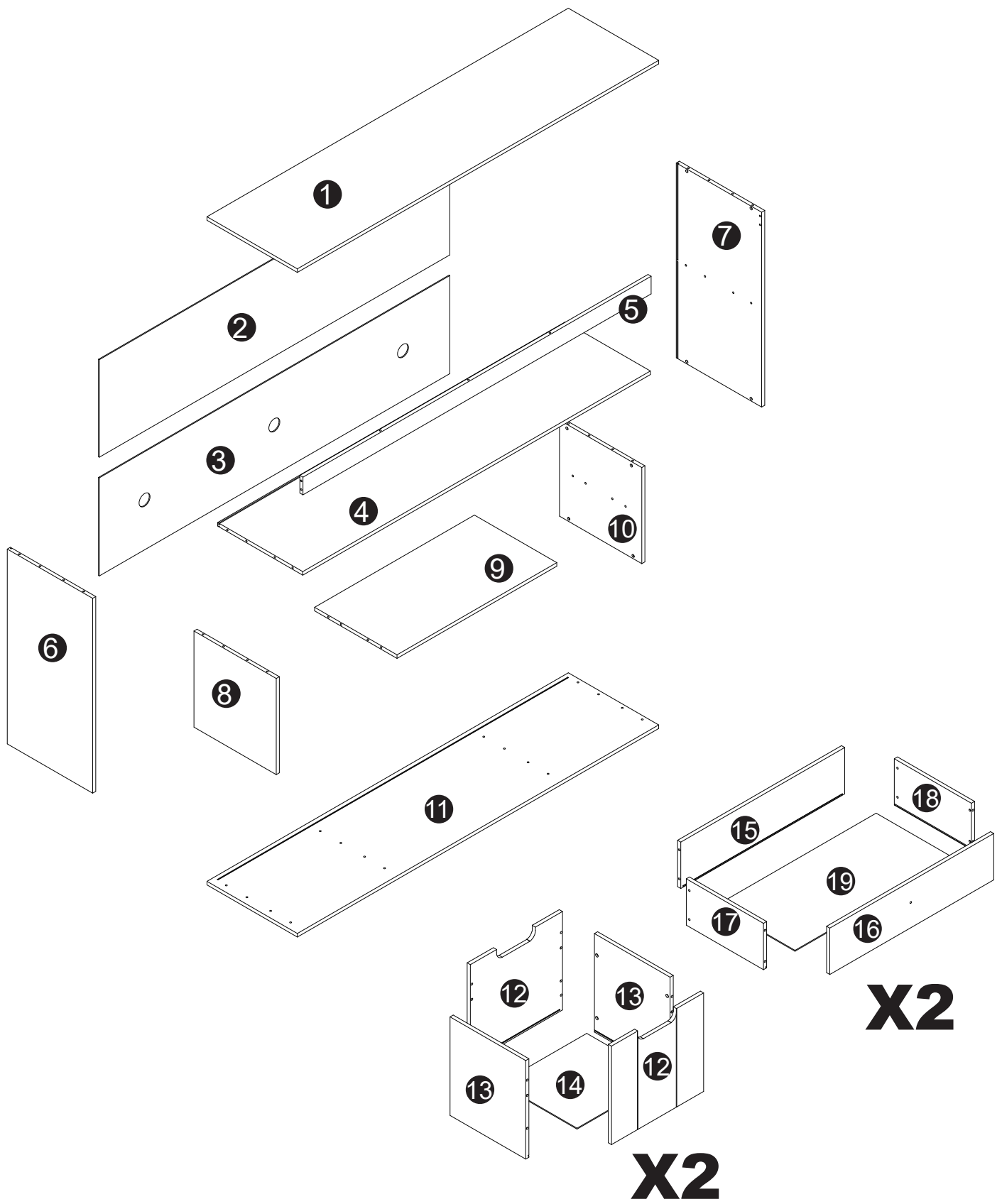
30 MIN

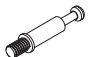

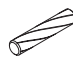







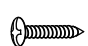


SLOTTED SCREWDRIVER(Not Provided)

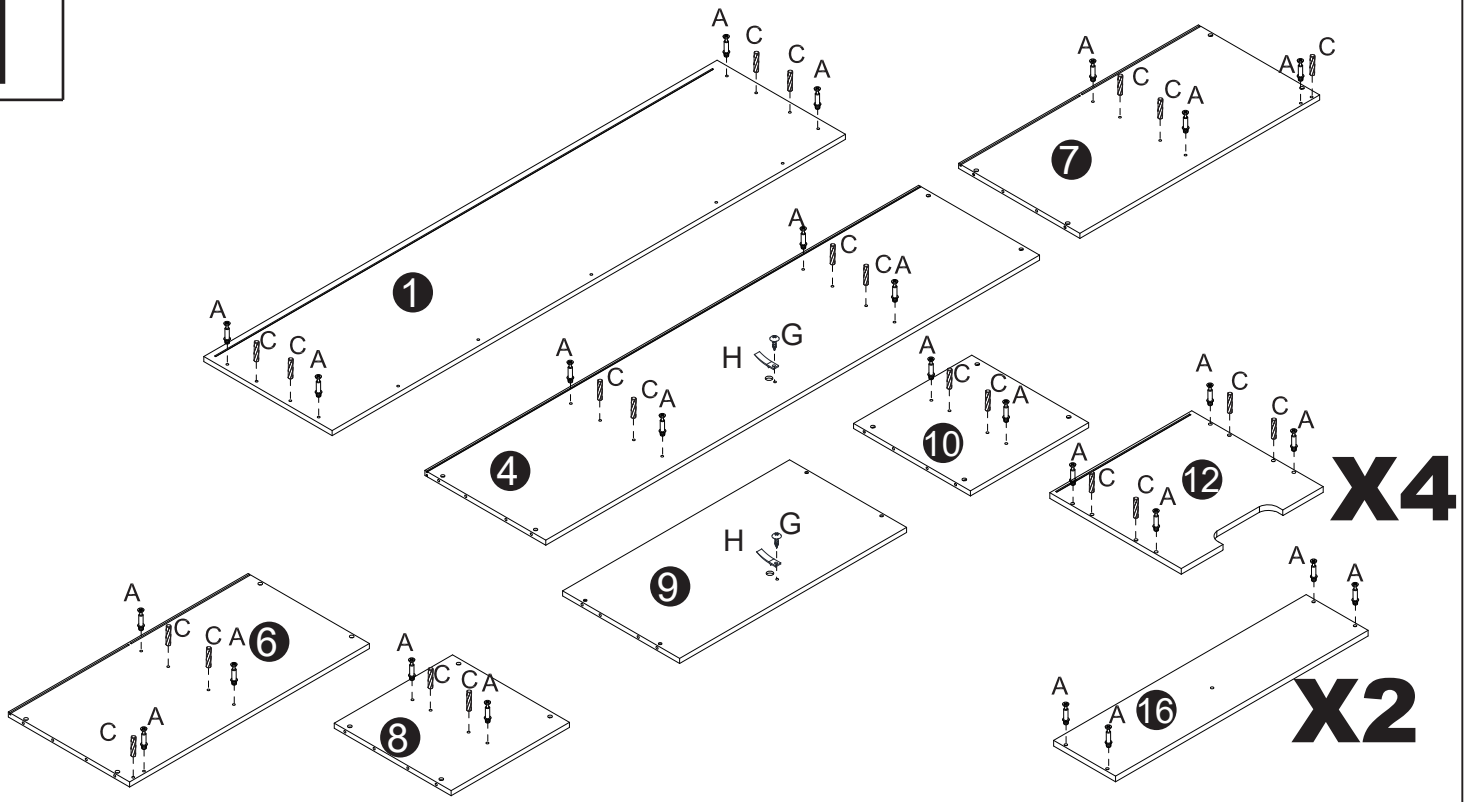






POZI SCREWDRIVER(Not Provided)



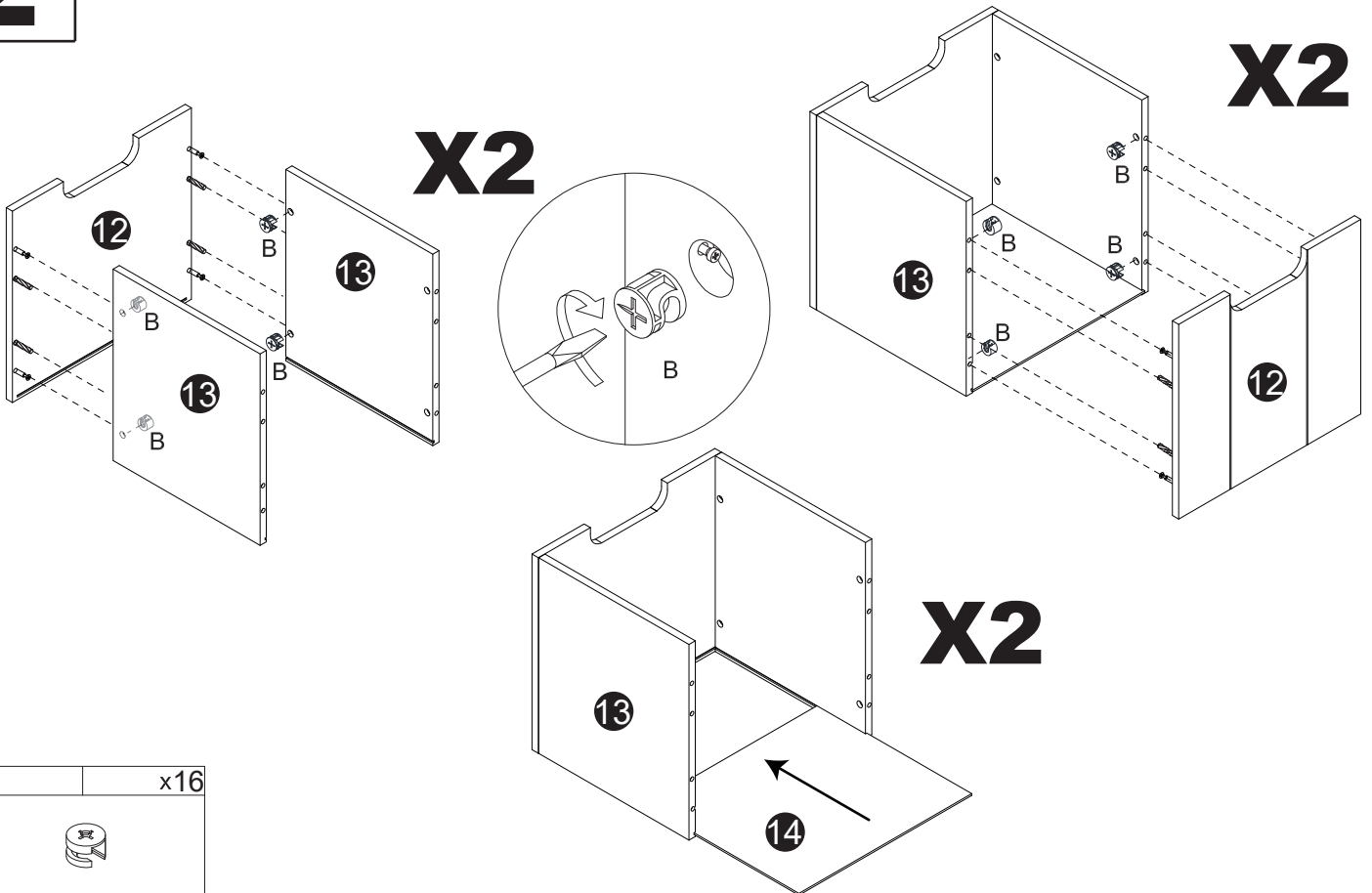
A	x42	B	x42	C	x44	D	x8	E	x8	F	x2
											
G	x2	H	x2	I	x2	J	x8	K	x3		
											


1



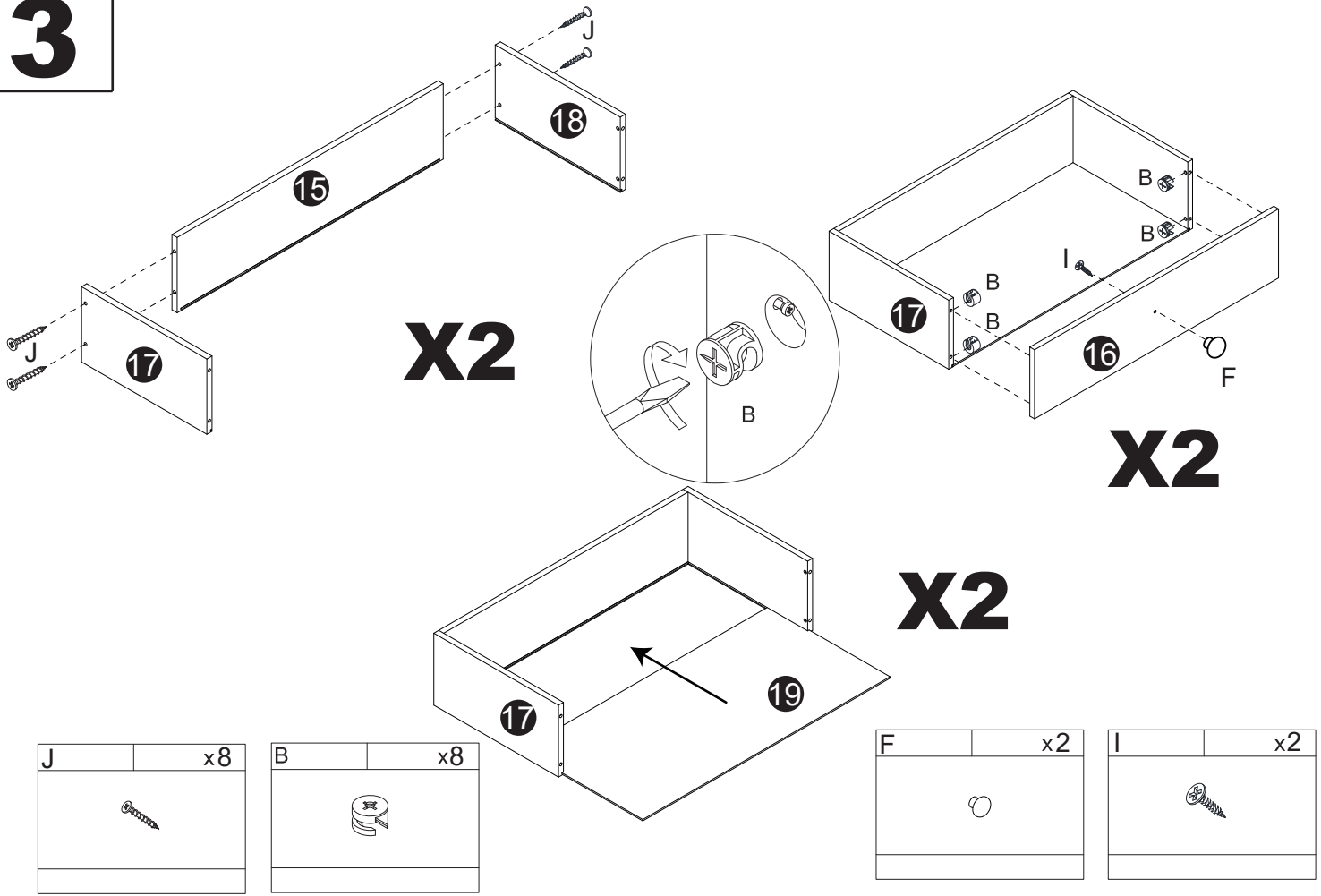
A	x42	C	x34	G	x2	H	x2
							

2

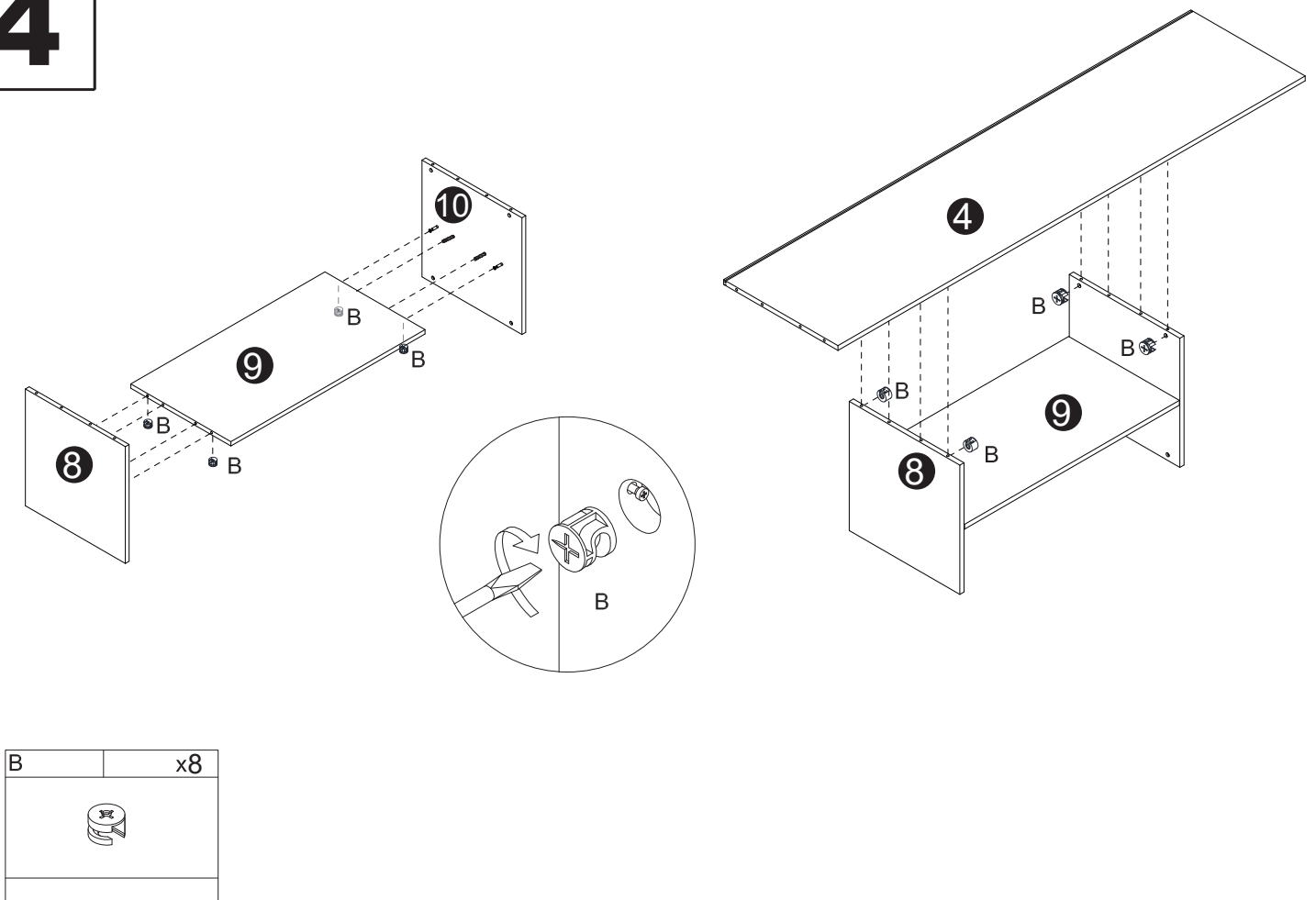


B	x16
	

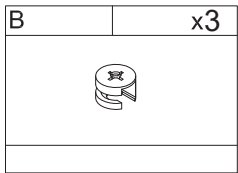
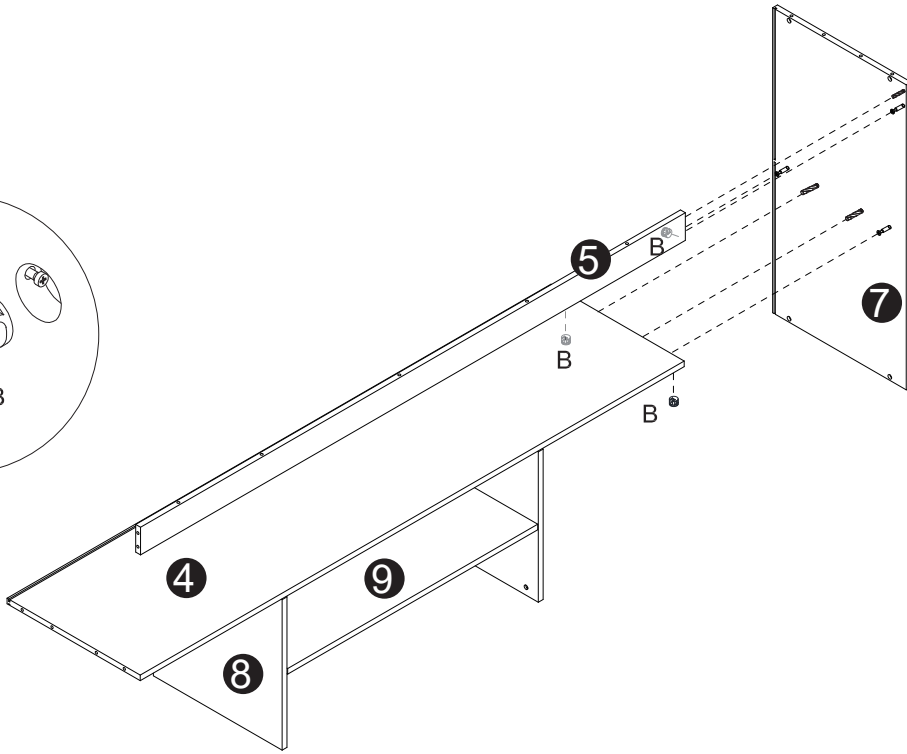
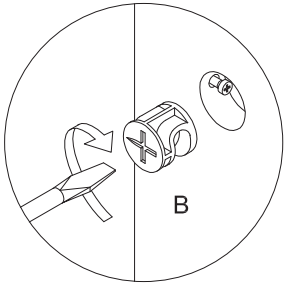
3



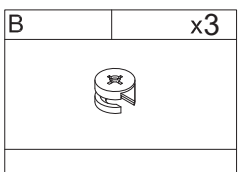
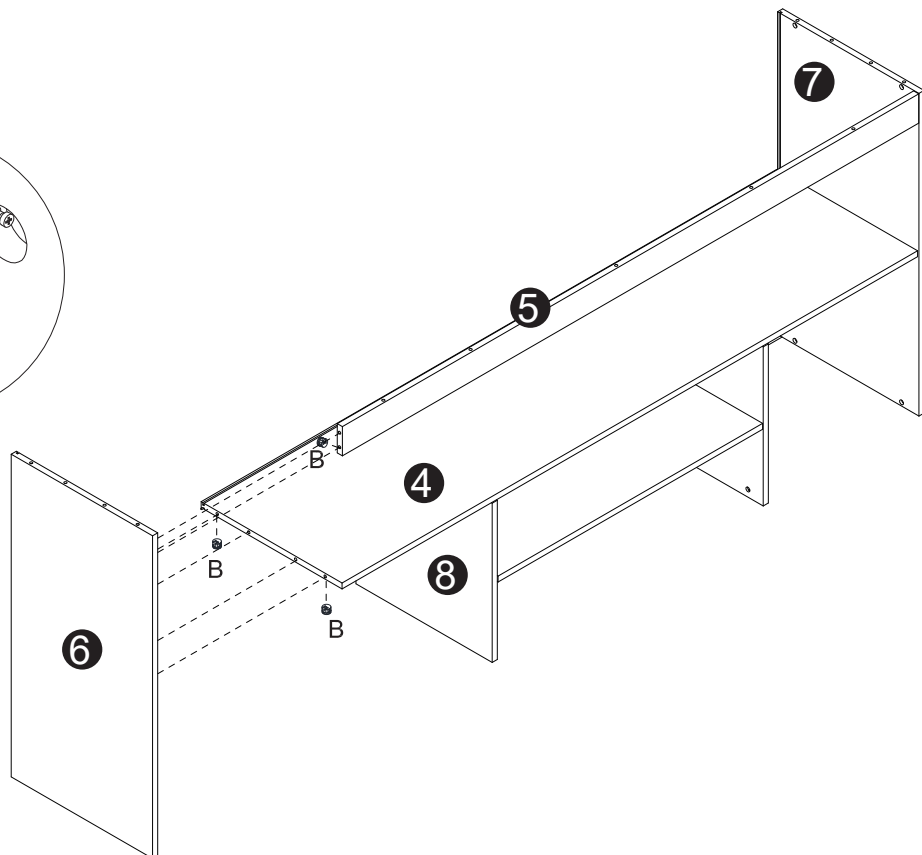
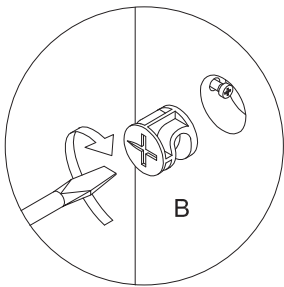
4



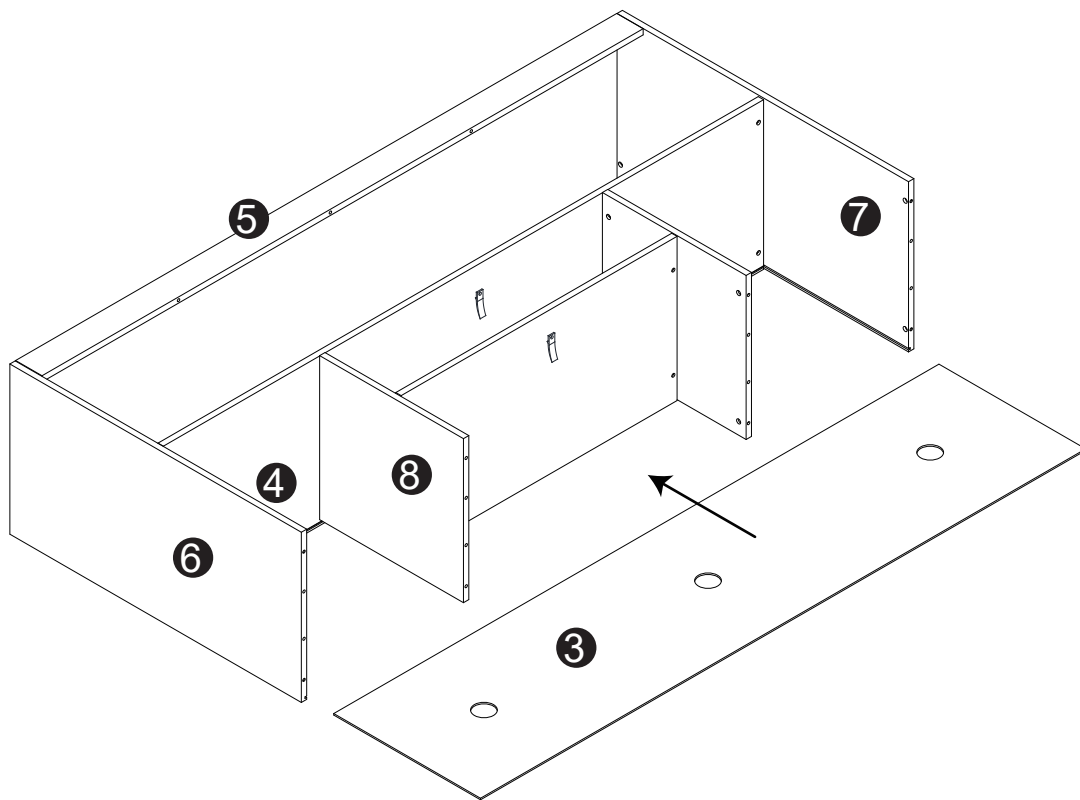
5



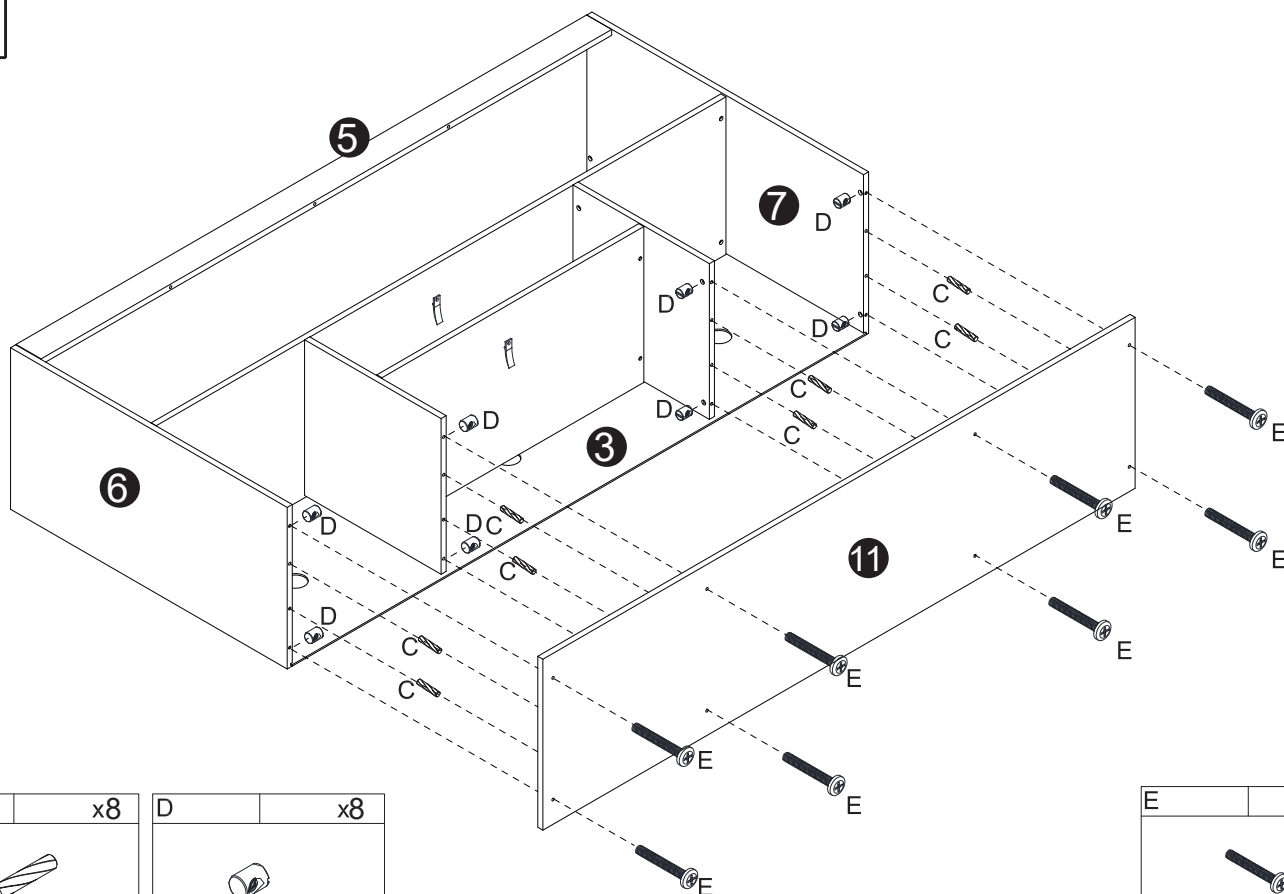
6



7



8

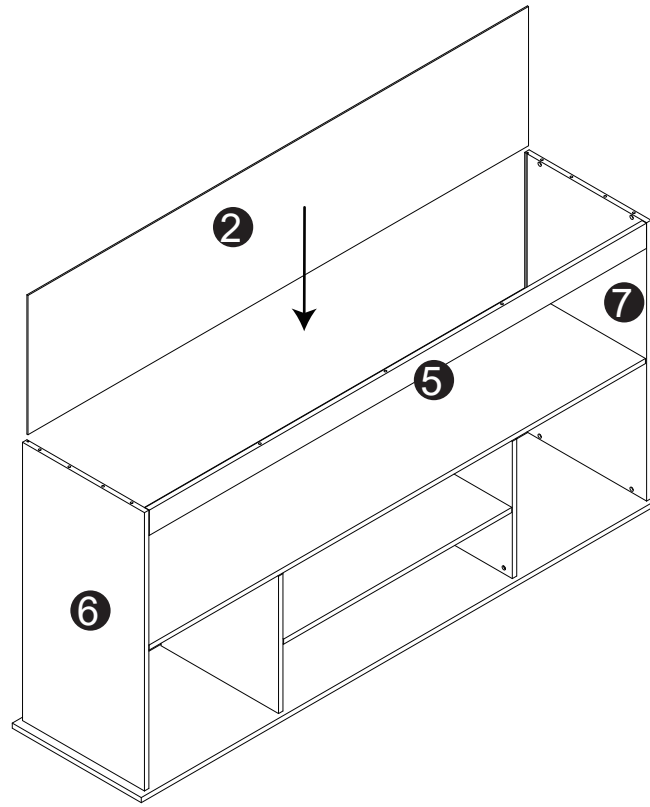


C	x8

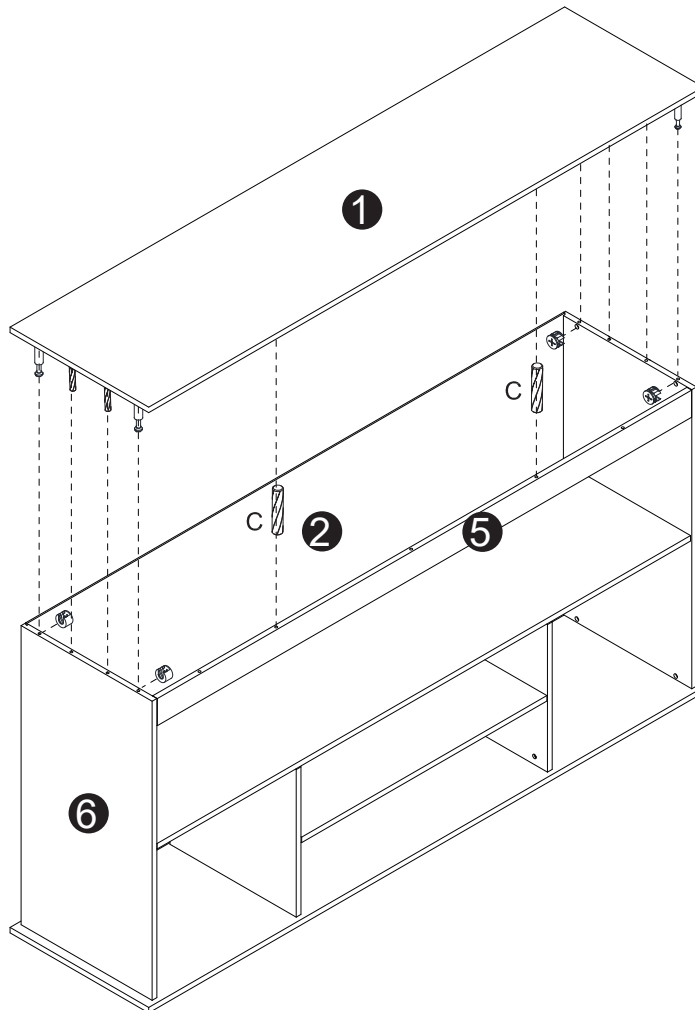
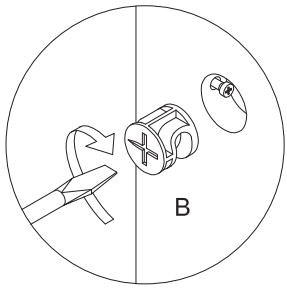
D	x8


E	x8


9



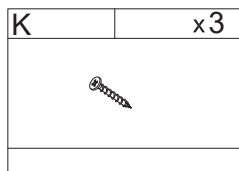
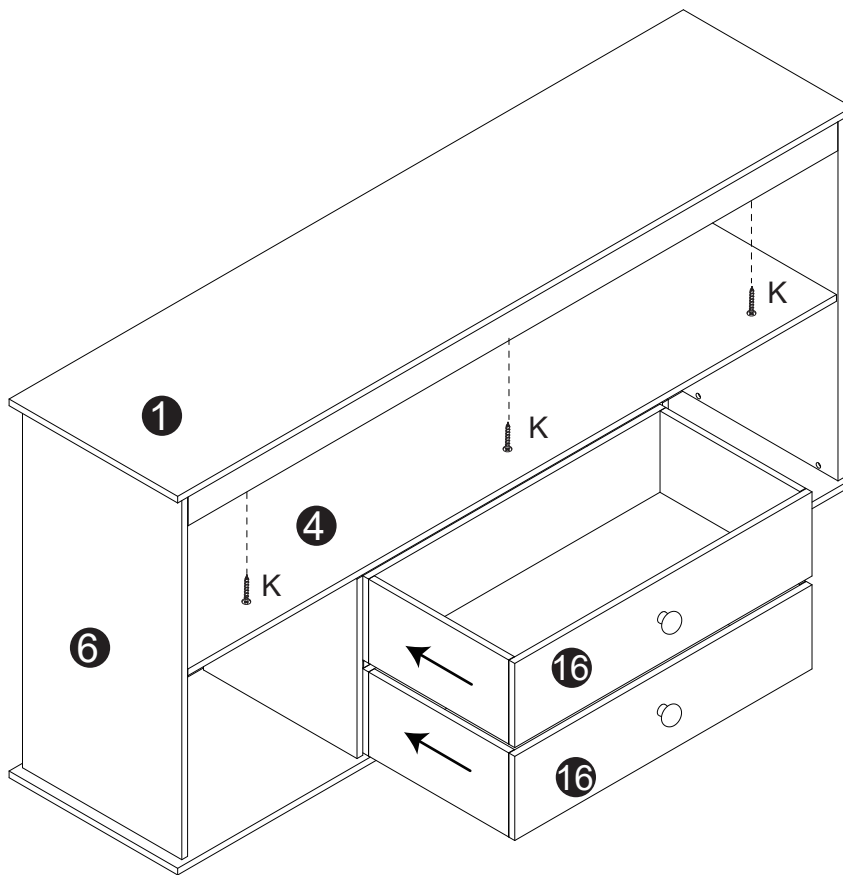
10



B	x4
	

C	x2
	

11



12

