

evenflo®

Amp™

No-back Booster Seat

Owner's Manual

Keep for future use

Child Requirements

18 to 49.8 kg
(40 to 110 lbs.)

102 to 145 cm
(40 to 57 in.)

At least four years old

Para instrucciones en Español,
llamar al: 1-800-233-5921

WARNING:

To reduce the risk of serious injury or death, read this owner's manual prior to installing and using this booster seat.

More children are killed every year as passengers in car crashes than by any other type of injury.

To reduce the risk of **SERIOUS INJURY** or **DEATH**, read this owner's manual and your vehicle owner's manual before installing and using this booster seat. Using a booster seat makes a big difference. By properly using this booster seat and following these instructions (and the instructions that accompany your vehicle), you will greatly reduce the risk of serious injury or death to your child from a crash. Do not be misled by the commonly used term "safety seat"; no restraint system can prevent all injuries in all crashes. Many properly restrained adults and children are injured in motor vehicle crashes, including relatively minor crashes. A properly used booster seat is the best way to minimize injuries to your child and to increase the chances for your child's survival in most crashes.

Table of Contents

| | |
|--|----|
| Warnings | 1 |
| Safe Practices | 4 |
| Motor Vehicle/Aircraft Usage | 4 |
| Recall Information for U.S. Customers | 5 |
| Public Notice for Canadian Customers | 5 |
| Storing Your Instructions | 5 |
| Visual Glossary | 6 |
| When to Put Your Child in a Booster Seat | 8 |
| Using the Amp No-back Booster Seat | 10 |
| Using the Amp Shoulder Belt Clip | 12 |
| Installing the Amp Seat Pad | 14 |
| Using the Cup Holder | 15 |
| Care and Cleaning | 15 |
| Replacement Parts | 16 |
| Limited Warranty | 17 |

U.S. REGULATORY NOTICE

This booster seat meets all applicable requirements of Federal Motor Vehicle Safety Standard 213.

CANADIAN REGULATORY NOTICE (Model numbers ending in "C.")

This booster seat meets all applicable requirements of Canadian Motor Vehicle Safety Standard CMVSS 213.2.

Child Requirements

- No booster seat can guarantee absolute protection from injury in every crash.
- To use this booster seat properly, children **MUST** meet weight/size specifications as follows:
 - 18 – 49.8 kg (40 – 110 lbs)
 - 102 – 145 cm (40 – 57 inches) tall
 - Child is at least four years old or older
 - Ears below top of vehicle seat headrest

⚠WARNING

Failure to follow each of the following instructions can result in your child striking the vehicle's interior during a sudden stop or crash, potentially resulting in serious injury or death. These instructions and the instructions in your vehicle owner's manual must be followed carefully. If there is a conflict between the two, the vehicle owner's manual regarding booster seat installation must be followed.

- **NEVER** leave child unattended.
- In addition to the height and weight requirements, your child must be at least four years old to use this booster seat.

⚠️WARNING

Air Bag Warnings

- **DO NOT** use this restraint in the front seat of a vehicle equipped with an air bag. Air bags may cause serious injury or death to children 12 and under. If your vehicle has an air bag, refer to your vehicle owner's manual for booster seat installation.
- If the rear seat of your vehicle is equipped with side air bags, refer to the following information for proper usage.
Vehicles built prior to the 2002 model year:
DO NOT use this restraint in a vehicle seating position equipped with a side air bag unless authorized by the vehicle manufacturer.
Model year 2002 and newer vehicles: Refer to your vehicle owner's manual before placing this restraint in a seating position equipped with a side air bag.
- **DO NOT** place any objects between the restraint and the side air bag, as an expanding air bag may cause the items to strike your child.



⚠️WARNING

Location Warnings

- According to statistics, children are safer when properly restrained in a rear seating position than in the front seating position. Children 12 and under should ride in the back seat of the vehicle.
- Use this booster seat only on forward-facing vehicle seats. **DO NOT** use this booster seat with vehicle seats which face the rear or side of the vehicle.
- Use this booster seat only in seating locations equipped with lap and shoulder belts.
- Use this booster seat only on vehicle seats with backs that lock into place.
- **DO NOT** recline the vehicle seat back when using this booster.
- Some booster seats do not fit in all vehicles. If the booster seat cannot be properly installed, **DO NOT** use the booster seat. Consult your vehicle owner's manual, try a different seating location, or call Evenflo for further assistance.

Booster Seat Position Warnings

- **DO NOT** use this booster seat rear-facing.
- When using this booster seat, the headrest on the vehicle seat that the child faces should be put in its lowest position. The vehicle seat back that the child faces must be fully padded and free of any hard objects.

Seat Belt Warnings

- **DO NOT** use this booster seat in a seating position with vehicle with door-mounted seat belts.
- **DO NOT** use this booster seat in a vehicle with seat belts that automatically move along the vehicle frame when the door is opened. These seat belts will not hold a booster seat properly.
- When using this booster seat, **NEVER** use a lap belt only. You **MUST** use vehicle seat belts that have a lap/shoulder combination.
- **DO NOT** use this booster seat if the child's ears are above the back of the vehicle seat headrest.
- Failure to adjust the seat belt snugly around your child may result in your child striking the vehicle's interior during a sudden stop or crash. **SERIOUS INJURY OR DEATH MAY OCCUR.**



⚠WARNING

Additional Warnings

- **DO NOT** use this booster seat if it has been involved in an accident. It must be replaced.
- **DO NOT** use this booster seat if it is damaged or has broken or missing parts.
- This booster seat must be securely belted to the vehicle at all times. An unsecured booster seat may injure someone during a sudden stop or crash.
- **DO NOT** attach additional padding, toys, or other devices to the booster seat. Items not tested with the booster seat could injure the child.
- In hot, sunny weather cover the seat with a light colored blanket when you leave the vehicle. Always check the seat for hot surfaces before putting a child into the seat.

Safe Practices

- **Everyone rides buckled up or the vehicle does not go.** Make no exceptions for adults or children. If someone unbuckles, stop the vehicle. Being firm and consistent from the start will mean fewer discipline problems as children get older. An unrestrained person can be thrown into and injure other passengers.
- **NEVER** tend to a crying child's needs while driving. Never take a child out of a booster seat for comforting while the vehicle is moving.
- **DO NOT** allow a child to have objects such as lollipops or ice cream on a stick. These objects can injure the child if the vehicle swerves or hits a bump.
- Put sharp or heavy items in the trunk. Anything loose can be deadly in a crash.
- In cold weather a child may need an extra blanket for warmth. Put the child in the booster seat and cover both the belted child and the booster seat with a blanket.

Motor Vehicle/Aircraft Usage

When properly installed pursuant to these instructions, this booster seat is certified for use only in passenger and multi-purpose passenger motor vehicles, buses, and trucks equipped with Type II seat belts.

This booster seat is **NOT** certified for aircraft use. A belt-positioning booster requires the use of a lap/shoulder belt system, which is not available on aircraft.

Recall Information for U.S. Customers

- Child restraints could be recalled for safety reasons. You must register this restraint to be reached in a recall. Send your name, address, the restraint's model number, and manufacturing date to

Evenflo Company, Inc,
1801 Commerce Dr,
Piqua, OH 45356

or call 1-800-233-5921

You may also register online at

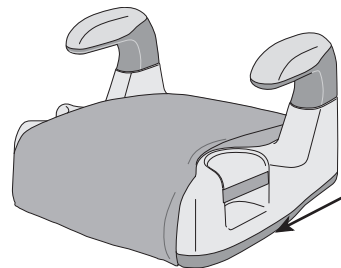
www.evenflo.com/registercarseat

- For recall information call the U.S. Government's Vehicle Safety Hotline at 1-888-327-4236 (TTY:1-800-424-9153), or go to **<http://www.NHTSA.gov>**

Public Notice for Canadian Customers

- To register your booster, return the registration card, call 1-937-773-3971, or register online at: **www.evenflo.com/registercarseatcanada**
- For recall information, call Transport Canada at 1-800-333-0510 (1-613-993-9851 in Ottawa region) or Evenflo at 1-937-773-3971.

Storing Your Instructions



After thoroughly reading and following these instructions, **store them in the slots provided on the bottom of the booster.**

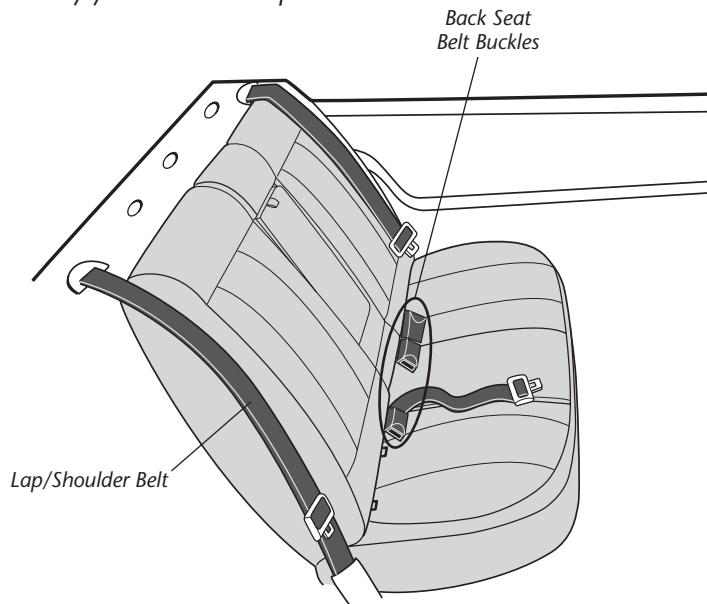
For future reference, record the model number of your booster seat **AND** the date of manufacture below (found on the bottom of the booster seat).

Model Number: _____

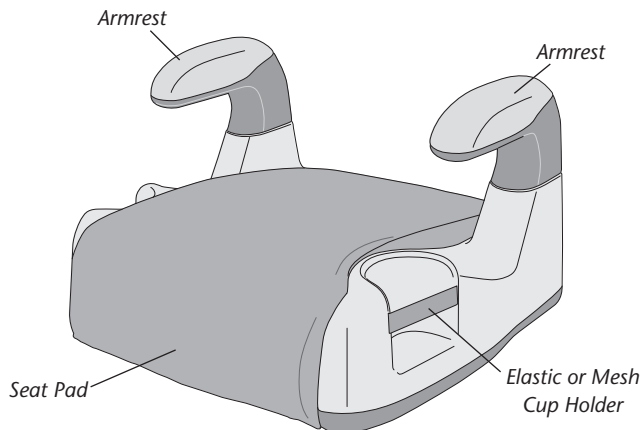
Date of Manufacture: _____

Visual Glossary

Your vehicle may be significantly different than the vehicle pictured. Consult your vehicle Owner's Manual to help identify your vehicle components.

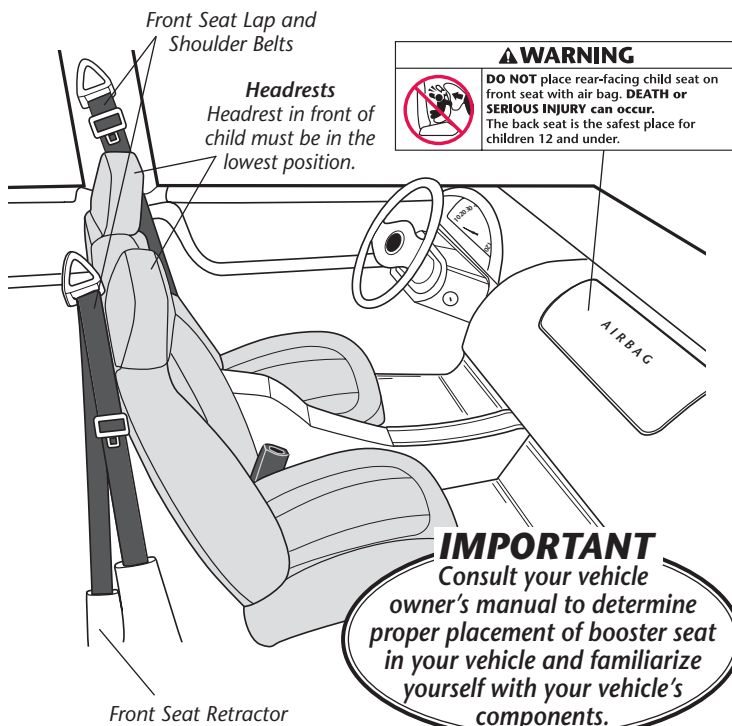


Amp™ / Styles may vary.

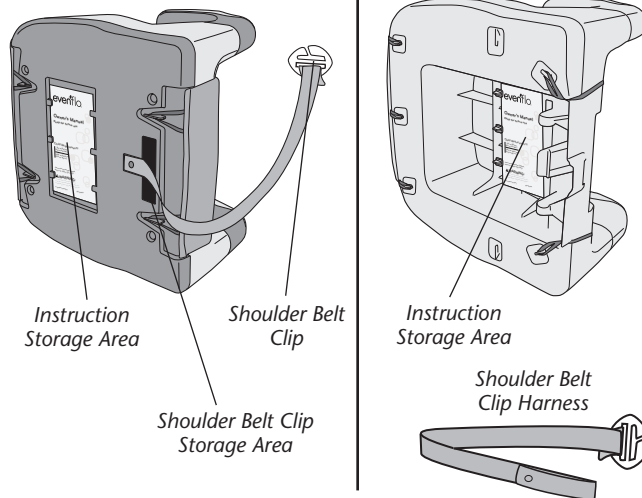


6

Visual Glossary



Amp™ / Styles may vary.



7

When to Put Your Child in a Booster Seat

Booster seats raise the child up and help to position the vehicle lap and shoulder belt correctly. When the child is **properly restrained** in a booster seat, their risk of injury in all types of crashes is reduced, as the vehicle's lap and shoulder belt provides excellent restraint of both the upper and lower torso.

It is important for the child to sit properly within the vehicle seat belts. When the vehicle seat belt is buckled, the lap belt should be low on the hips, just touching the thighs, and the shoulder belt should lie across the middle of the shoulder. If the child leans out or moves the belt behind the back or places it under the arm, **it will not provide the intended restraint.**

There are a number of things to consider when deciding whether the child is ready to sit in a booster seat, including: the weight and height rating on their current child seat, the child's own weight and height, their maturity, and the seating positions available in your vehicle.

How is a booster seat used?

Using a booster seat is very similar to buckling yourself into the vehicle:

- Read the instruction manuals for both the booster seat and the vehicle before you start.
- Put the booster in the back seat in a location with a lap and shoulder belt. **Never use a booster with only a lap belt**, as this could cause serious injuries.
- After the child is in the booster, pull the lap and shoulder belt across him/her and buckle it.
- Check that the shoulder belt lies across the middle of the shoulder and that the lap belt is low on the hips, just touching the thighs.

How can you tell if your child is ready to transition to a booster seat?

You should consider using a booster seat if the following conditions apply:

- The child is mature enough to sit in the booster seat and not put the belts under their arm or behind their back.
- The child is approaching the weight or height limit of the child restraint they are currently using.
- If you have a vehicle that does not have a tether anchorage but has lap/shoulder belts available in the back seat, a booster seat may provide better protection than a 5-pt harness seat without the tether.

Shoulder Belt: Must cross midway between child's shoulder and neck. Use belt clip, if necessary.

Lap Belt: Stretched low and snug across the child's hips, beneath the armrests, and fastened into the buckle.



Using the Amp™ No-back Booster Seat

Child Requirements

Weight: 18 – 49.8 kg (40 – 110 lbs)

Height: 102 – 145 cm (40 – 57 inches)

Age: At least four years old

Ears below the top of the
vehicle seat headrest

Shoulder Belt: Must cross
midway between child's
shoulder and neck.
Use belt clip, if necessary.

Lap Belt: Stretched low
and snug across the
child's hips, beneath the
armrests, and fastened
into the buckle.



⚠️ WARNING

Route lap/shoulder belt **under** armrests **ONLY**.

1. Place the booster seat on the vehicle seat.

2. Set the child in the booster seat.

Make sure the child's back is flat against the vehicle seat, and the child's bottom is flat against the booster seat.

3. Secure the child and booster seat to the vehicle seat.

Stretch the lap/shoulder belt under the armrests and across the child and fasten the buckle.

4. Use the shoulder belt clip, if necessary.

If the shoulder belt does not properly lay midway between the child's shoulder and neck, attach and adjust the belt clip (see Using the Shoulder Belt Clip, pages 12/13).

⚠️ WARNING

The shoulder belt **MUST NOT** cross the child's neck **or** fall off the child's shoulder. If you can not adjust the shoulder belt to properly lay midway between the child's shoulder and neck, try another seating location or do not use the booster seat.



5. Check your work.

Make sure the lap belt is stretched low and snug across the child's hips, **beneath the armrests**, and fastened into the buckle. The shoulder belt must cross the child midway between his/her shoulder and neck. **Note:** If the vehicle's shoulder belt naturally crosses the child's shoulder, you do not need to use the shoulder belt clip.

IMPORTANT

Always secure the booster seat with the vehicle seat belts when not occupied. An unsecured booster seat can fly into and injure other occupants during a sudden stop or crash.

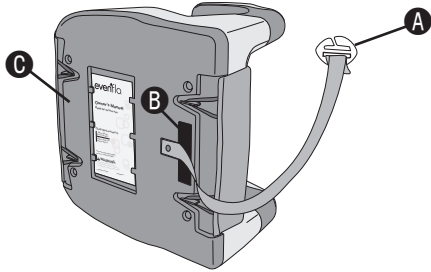
Using the Amp™ Shoulder Belt Clip

Styles may vary.

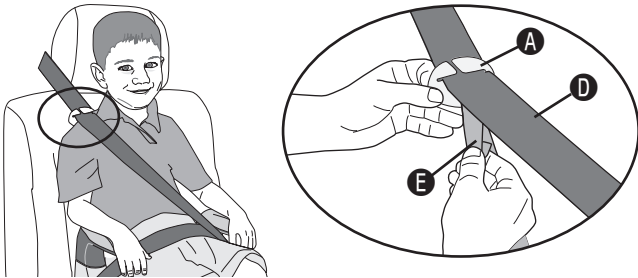
If the shoulder belt does not properly lay midway between the child's shoulder and neck, attach and adjust the belt clip for proper belt placement.

1. Remove the shoulder belt clip harness **A** from the storage area **B** beneath the booster **C**.

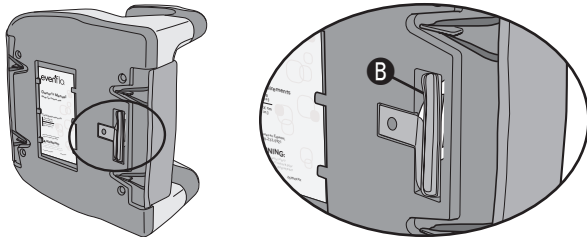
Note: Be sure to remove rubber band around the strap and dispose of properly.



2. Place booster **C** on the vehicle seat and attach the shoulder belt clip **A** to the shoulder belt **D**.
3. Pull the adjustment strap **E** until belt clip **A** is even with the child's shoulder and the shoulder belt **D** lays across the child's chest midway between his/her shoulder and neck.



4. To store the shoulder belt clip harness, fold it and place it in the storage area **B**.



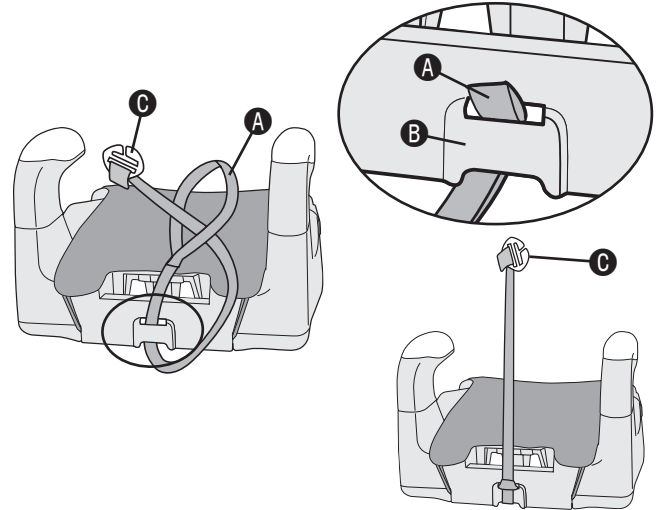
12

Using the Amp™ Shoulder Belt Clip

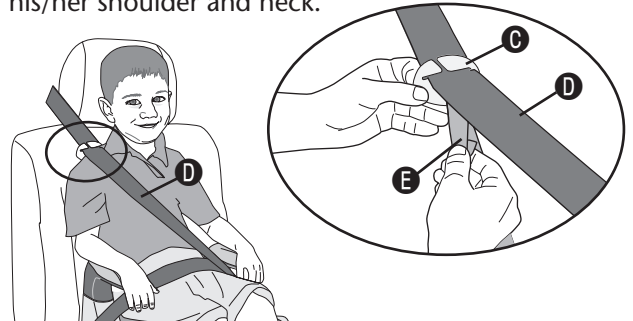
Styles may vary.

If the shoulder belt does not properly lay midway between the child's shoulder and neck, attach and adjust the belt clip for proper belt placement.

1. Thread the looped end of the shoulder belt clip strap **A** through the anchor point on the back of the booster **B**.
2. Thread the shoulder belt clip **C** through the loop at the end of the strap **A** and pull until tight.



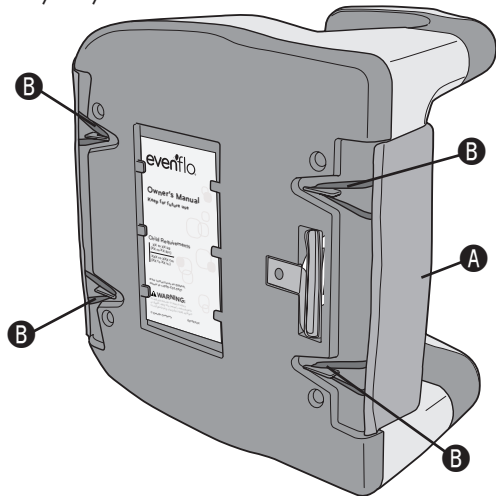
3. Place booster **B** on the vehicle seat and attach the shoulder belt clip **C** to the vehicle shoulder belt **D**.
4. Pull the adjustment strap **E** until belt clip **C** is even with the child's shoulder and the vehicle shoulder belt **D** lays across the child's chest midway between his/her shoulder and neck.



13

Installing the Amp™ Seat Pad

Styles may vary.

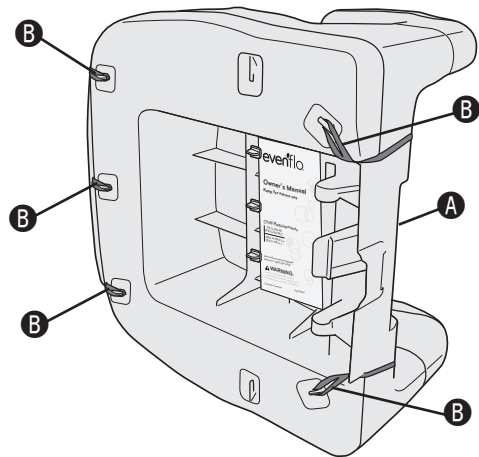


To install the seat pad (A), connect elastic loops (B) to hooks on the underside of the seat.

To remove the seat pad, reverse this procedure.

Installing the Amp™ Seat Pad

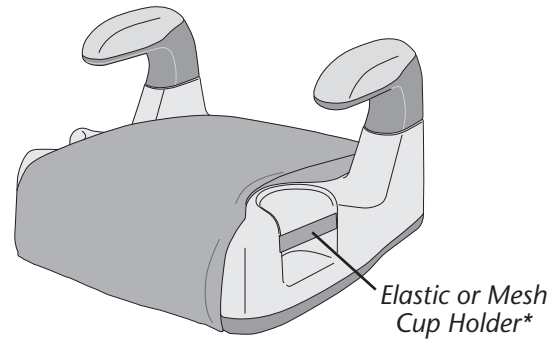
Styles may vary.



To install the seat pad (A), connect elastic loops (B) to hooks on the underside of the seat.

To remove the seat pad, reverse this procedure.

Using the Cup Holder



*Cup holder style may differ from illustration.

⚠ WARNING

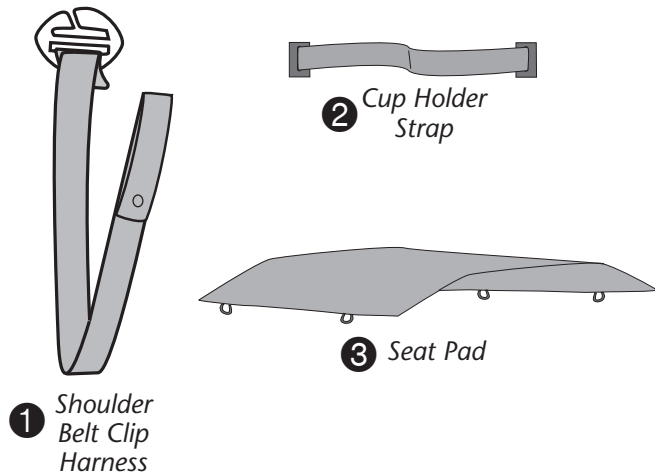
- **DO NOT** use the cup holder to store cans, bottles, or hard containers. Only for use with soft cups (such as styrofoam or paper).
- **DO NOT** place any cups that contain hot liquids in the cup holder.
- **DO NOT** attach any other item to this booster seat unless it has been certified for use with this specific booster seat.

Care and Cleaning

- To help protect the vehicle upholstery, place a towel beneath and behind the booster seat.
- Plastic parts may be wiped clean with mild soap and water and dried with a soft cloth. Do not use abrasive cleaners or solvents.
- Take care not to damage any labels.
- Machine wash the seat pad separately in cold water, delicate cycle, and tumble dry 10 – 15 minutes on low heat.
- Never use booster seat without the seat pad.

Replacement Parts

You can order replacement parts on-line at www.evenflo.com or contact Evenflo. When you contact us, please have the product model number and date of manufacture (found on the bottom of the booster seat).



Proper Disposal of This Booster Seat

At the end of this booster seat's useful life, Evenflo encourages you to dispose of it properly. Most of the components in this booster seat are recyclable.

1. Remove all fabric and padding.
2. Disassemble the restraint.
3. Recycle all plastic/foam parts and discard the rest.

If your local recycling center won't accept the padding, you may dispose of it in the landfill.

Note: Evenflo uses recycled materials in the manufacturing process whenever possible but never for components that are critical for safety.

Limited Warranty

For a period of 90 days from the original purchase of this Product, Evenflo warrants to the original end user ("Purchaser") this Product (including any accessories) against defects in material or workmanship. Evenflo's sole obligation under this express limited warranty shall be, at Evenflo's option, to repair or replace any Product that is determined to be defective by Evenflo and determined to be covered by this warranty.

Repair or replacement as provided under this warranty is the exclusive remedy of the Purchaser. Proof of purchase in the form of a receipted invoice or bill of sale evidencing that the Product is within the warranty period must be presented to obtain warranty service. This express limited warranty is extended by Evenflo ONLY to the original Purchaser of the Product and is not assignable or transferable to subsequent purchasers or end users of the Product. For warranty service, contact Evenflo's ParentLink Consumer Resource Center at www.evenflo.com.

EXCEPT TO THE EXTENT PROHIBITED BY APPLICABLE LAW, ANY IMPLIED WARRANTY OF MERCHANTABILITY OR FITNESS FOR A PARTICULAR PURPOSE ON THIS PRODUCT IS HEREBY DISCLAIMED. EVENFLO SHALL NOT BE LIABLE FOR ANY INCIDENTAL, CONSEQUENTIAL, SPECIAL OR PUNITIVE DAMAGES OF ANY KIND FOR BREACH OF THE EXPRESS LIMITED WARRANTY ON THIS PRODUCT, OR ANY WARRANTY IMPLIED BY OPERATION OF LAW. OTHER THAN THE EXPRESS LIMITED WARRANTY SET FORTH ABOVE, THERE ARE NO OTHER WARRANTIES THAT ACCOMPANY THIS PRODUCT AND ANY ORAL, WRITTEN OR ANY OTHER EXPRESS REPRESENTATION OF ANY KIND IS HEREBY DISCLAIMED.

ParentLink®

answers. advice. affirmation.™

- USA: 1-800-233-5921 8 AM to 5 PM E.T.
- Canada: 1-937-773-3971
- México: 01-800-706-12-00

ParentLink®

answers. advice. affirmation.™

- *USA: 1-800-233-5921 8 AM to 5 PM E.T.*
- *Canada: 1-937-773-3971*
- *México: 01-800-706-12-00*