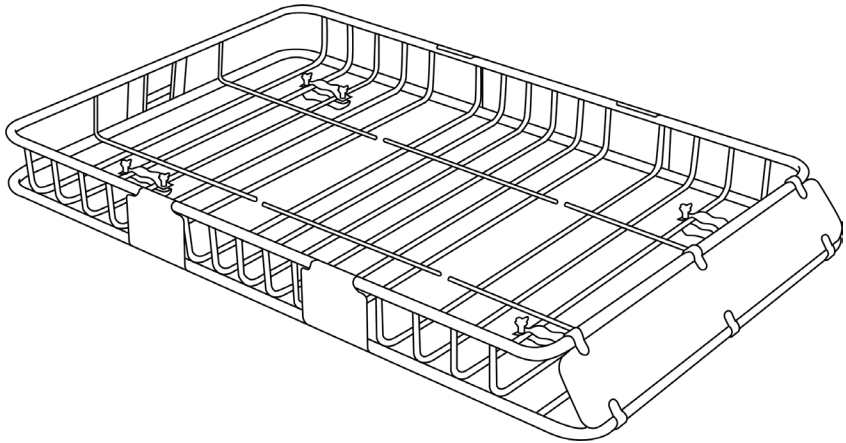




64" Roof Rack Cargo Carrier

OWNER'S MANUAL



WARNING:

Manufacturer and seller expressly disclaim any and all liability for personal injury, property damage or loss, whether direct, indirect, or incidental, resulting from the incorrect attachment, improper use, inadequate maintenance, unapproved modification, or neglect of this product.

Item# 005-TH-50078

Thank you for purchasing our product.

This manual covers operation and maintenance information about the product. Read carefully and understand all instruction before using the product.

All information in this publication is based on the latest product information available at the time of approval for printing.

We reserve the right to make changes at any time without notice and without any obligation.

Table of Contents

Warning and Precaution -----	03
Product Specification -----	03
Package Content -----	04
Assembly Instruction -----	05

READ ALL INSTRUCTION BEFORE USE

- Inspect the product before use. Do not use if damaged or with missing parts.
- Do not use the product for anything other than intended use.
- Do not exceed the maximum load capacity.
- Always distribute the weight on the rack evenly.
- Always secure the loads on the rack and check frequently.
- Make sure all knobs and screws are tighten before use.
- Do not carry cargo that is larger than the rack.
- Do not carry any flammable or combustibile items on the rack.
- Use the roof rack according to your state, or local vehicle regulation.

SAVE THESE INSTRUCTIONS

SPECIFICATION

Model Number	005-TH-50078
Overall Dimension (w/o Extension)	43" x 39" x 6"
Overall Dimension (w/ Extension)	64" x 39" x 6"
Max. Load Capacity	150 lb
U-bolt Spacing	4.65" wide x 1.375

PACKAGE CONTENT



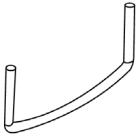
Washer
8x



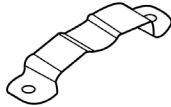
Wing Nut
9x



Spacer
6x



U-Bolts
4x



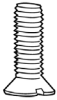
Bracket Top Plate
4x



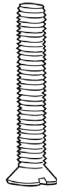
Foam Padding
4x



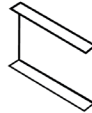
Nut
6x



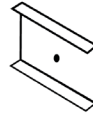
16 mm Screws
12x



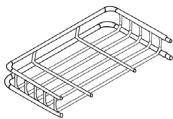
35 mm Screws
3x



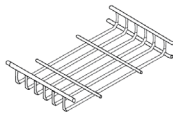
Side Fairing
4x



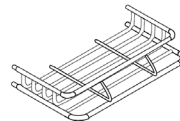
Back Fairing
1x



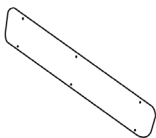
Rear Basket
1x



Basket Extension
1x



Front Basket
1x



Front Fairing
1x



Top Clip
3x



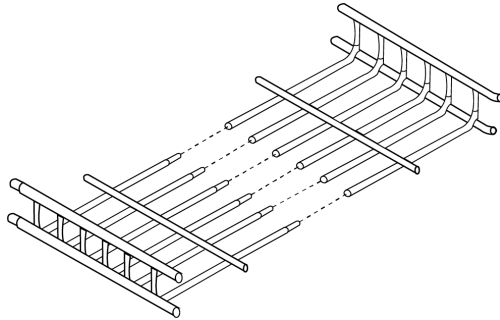
Bottom Clip
3x



Allen Wrench
1x

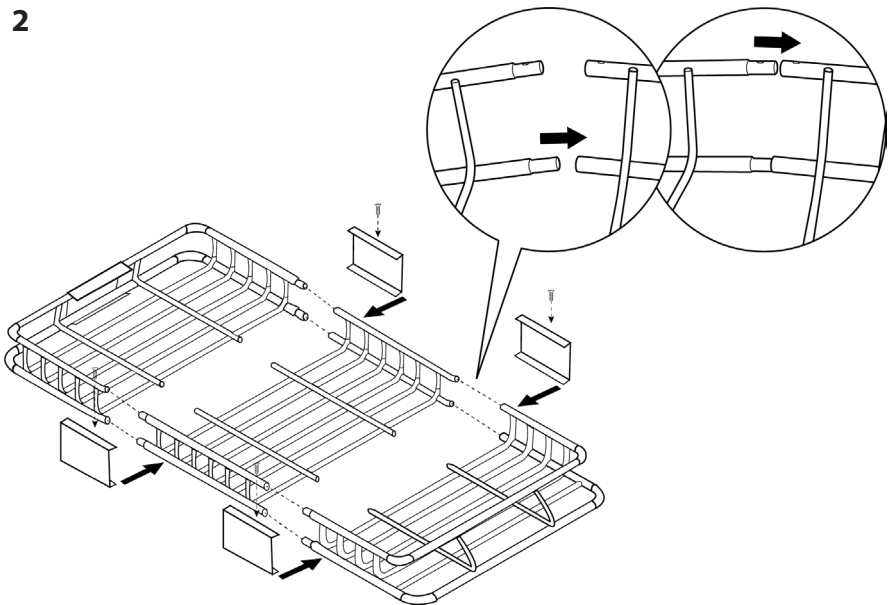
ASSEMBLY INSTRUCTION (BASKET INSTALLATION)

1



- Assemble the extension module by inserting the left piece to the right.

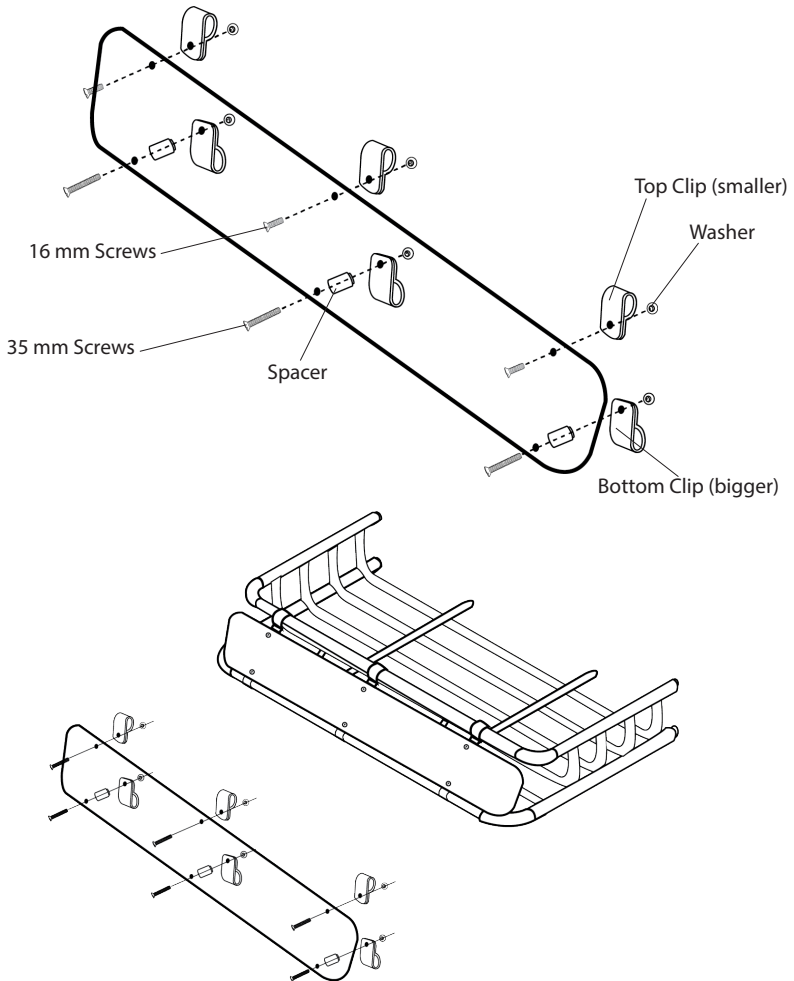
2



- Slide the basket assembly together with the side fairing covering the joints.
- NOTE: The use of extension module is optional.
- Secure the assembly using the provided 16mm screws through the side fairing to the basket frame.
- Attach the back fairing to the back of the rack.

ASSEMBLY INSTRUCTION

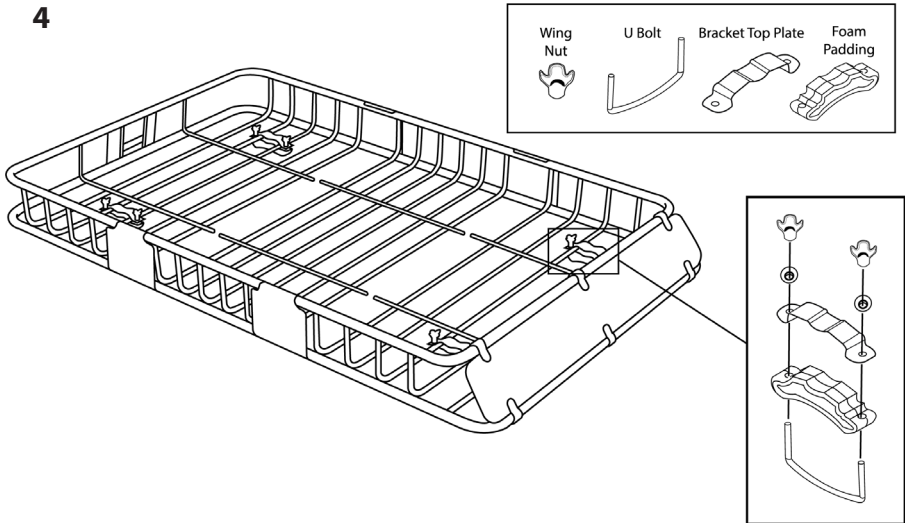
3



- Assemble the front fairing to the basket.
- Install the clip on the rack. The smaller clips fit on the top and the larger clips fit on the bottom.
- Secure the fairing by using 16mm screws through the top clip and the longer 35mm screws through the bottom clips.

ASSEMBLY INSTRUCTION (INSTALL THE RACK ON YOUR VEHICLE)

4



- The rack can only be installed on vehicles with mounting rail and cross bar.
NOTE: Check with your vehicle dealership for compatible mounting rail if necessary.
- Position the saddle away from the center of the rack for even weight distribution. Align them to the crossbar on your vehicle.
NOTE: Relocate the crossbar on the mounting rail if necessary. The 2 crossbars need to be at least 15" apart from each other.
- Clamp and secure the rack on the crossbar by tightening the wing nuts on the saddle.

