

Installation Tool: 5mm Allen Key, 3mm Allen Key, Wrench

Supplied Parts

- | | | | |
|---|--------------|---|---------------|
| a | Fixing Nut | b | Guardra |
| c | Fixing Screw | d | Thin Rod |
| e | Thick Rod | f | Gasket |
| g | Clips | h | Metal Washers |

*Length can be adjusted

ASSEMBLE AND MOUNT CARRIER

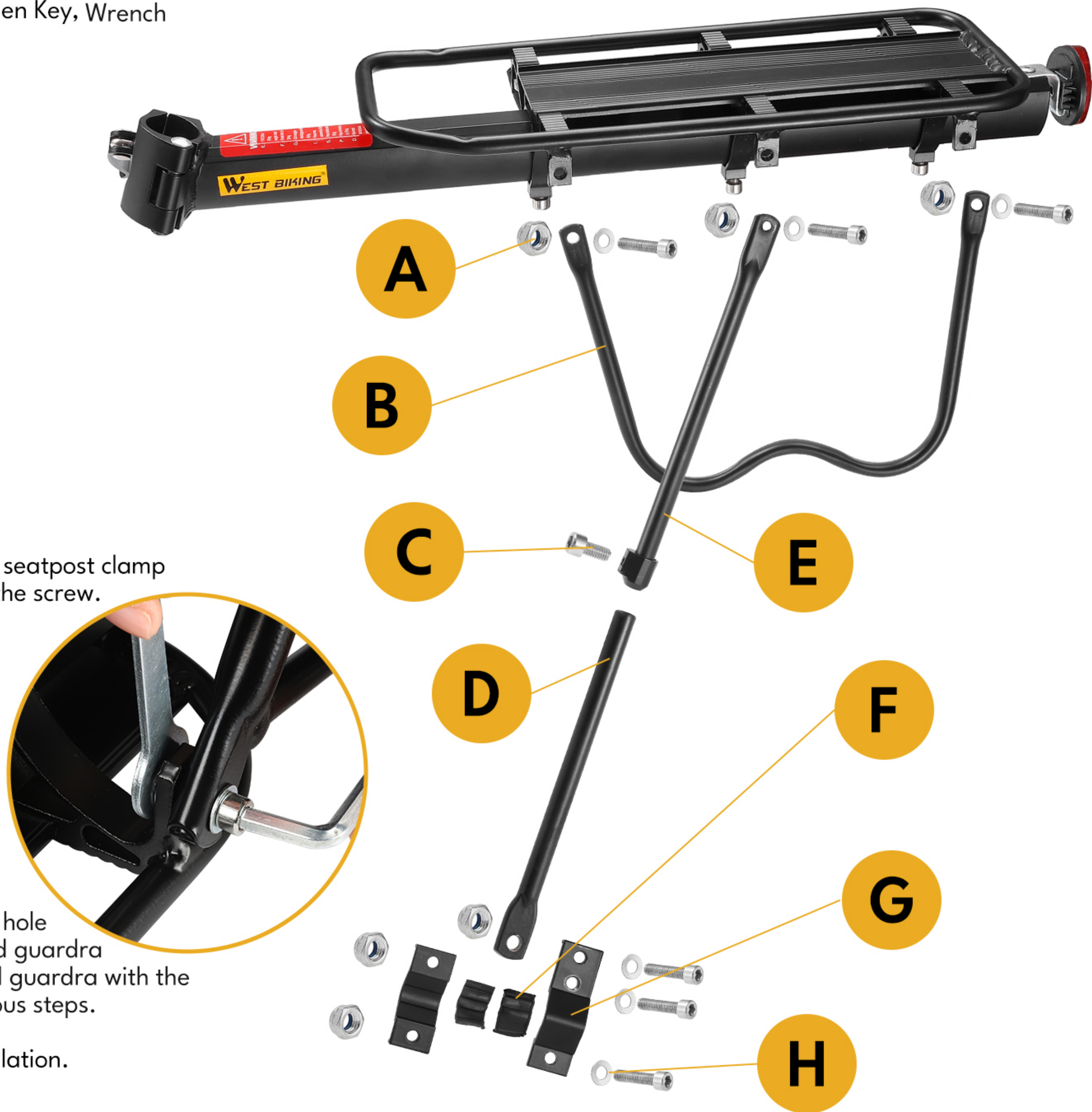
1) Using the bike rack, Insert spacer at the seatpost clamp Spacer. Tighten the seat post clamp with the screw.

2) Connect the two pipes support bar together with screws. Using the bike rack, Insert spacer at the seat stay clip spacer.

3) Align support bar near cargo rack with the hole in the middle. Link rack body and Support bars with the screw. Tighten support bars with the screw. On the other side, repeat the previous steps.

4) Align guardra near cargo rack with the hole in the both sides. Link left of rack body and guardra with the screw. Link right of rack body and guardra with the screw. On the other side, repeat the previous steps.

5) Insert the red Reflector(09), finish installation.



Dose Not Fit Following Bikes



Folding Bike



Small Tire Bike



Special Seat Stay



Suspension Bike



Flat Tire Bike

Maximum Load 110 LBS



SOMETHING YOU SHOULD KNOW!!!

Missing accessories?

We are a professional bicycle company that takes responsibility for our customers. If you are missing any part, please contact us and we will make a reissue for you within 24 hours.

Don't know how to install it?

We provide manuals and instruction videos, any further questions please contact customer service, we'll get back to you with additional information!

Do you need regular inspections?

For your riding safety, please check the tightness of the screws regularly to avoid potential safety hazards.

Skype: yopoon2013

Zip Code: 322000

Tel: 15006005057

E-mail: yp_buyers_support@163.com

Company: West Bliking Cycling Equipment Co., Ltd

Address: 7F, No.3, Xingtuo Road, Beiyuan Street Yiwu. Zhejiang, China