

FTBFCB-6083

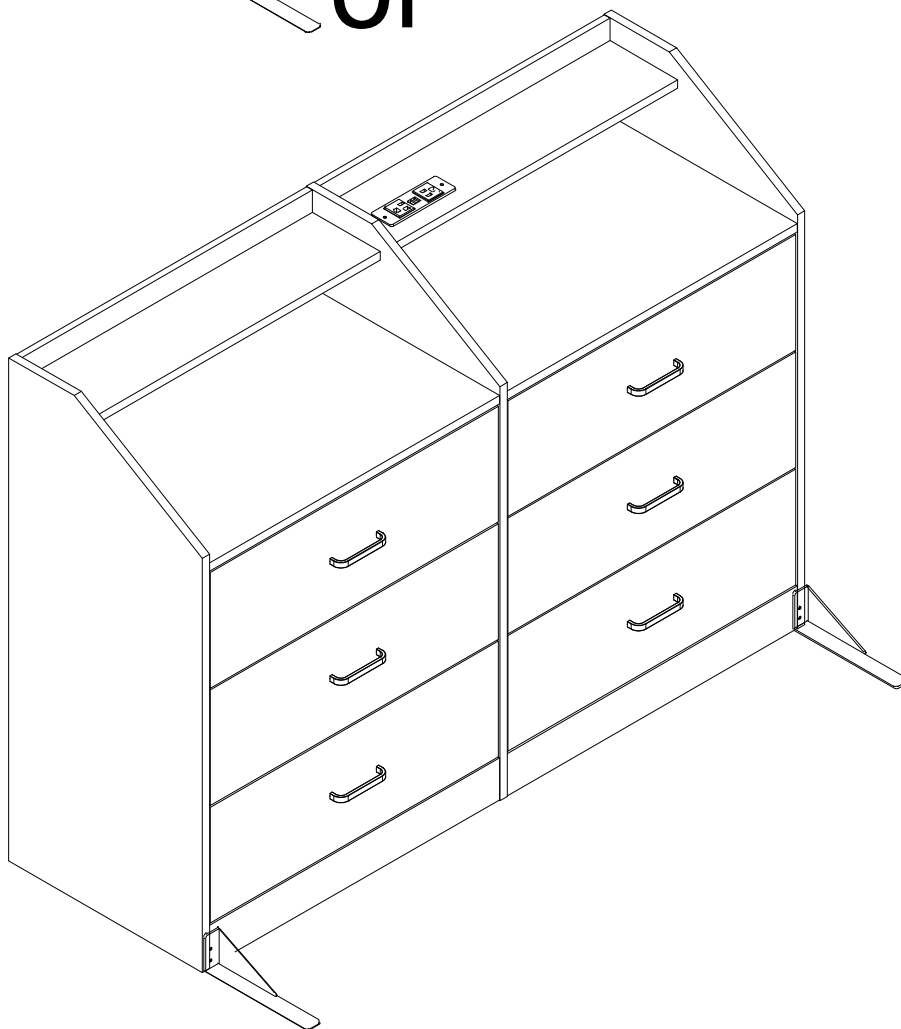
ZZJSZN

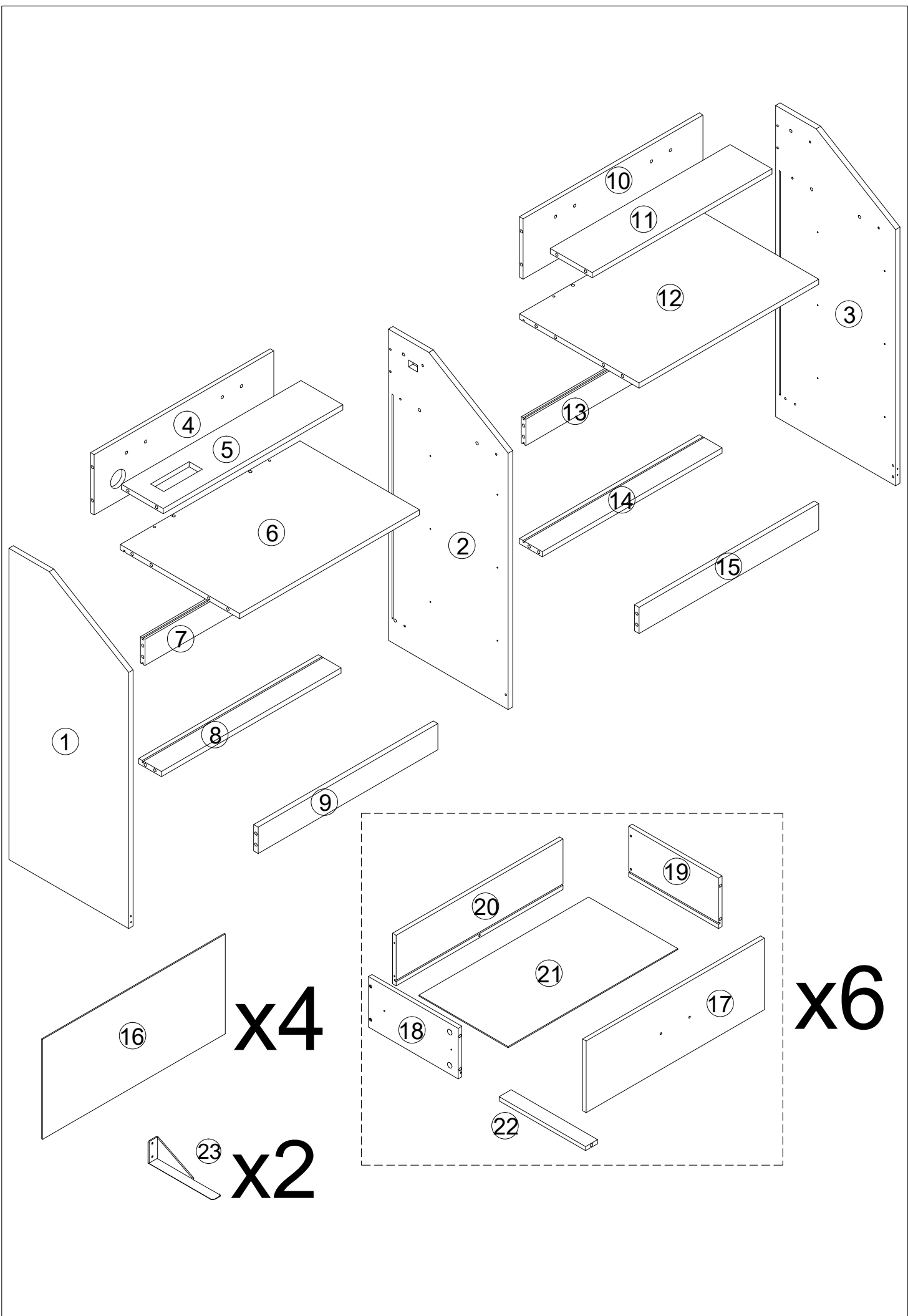
Style:A

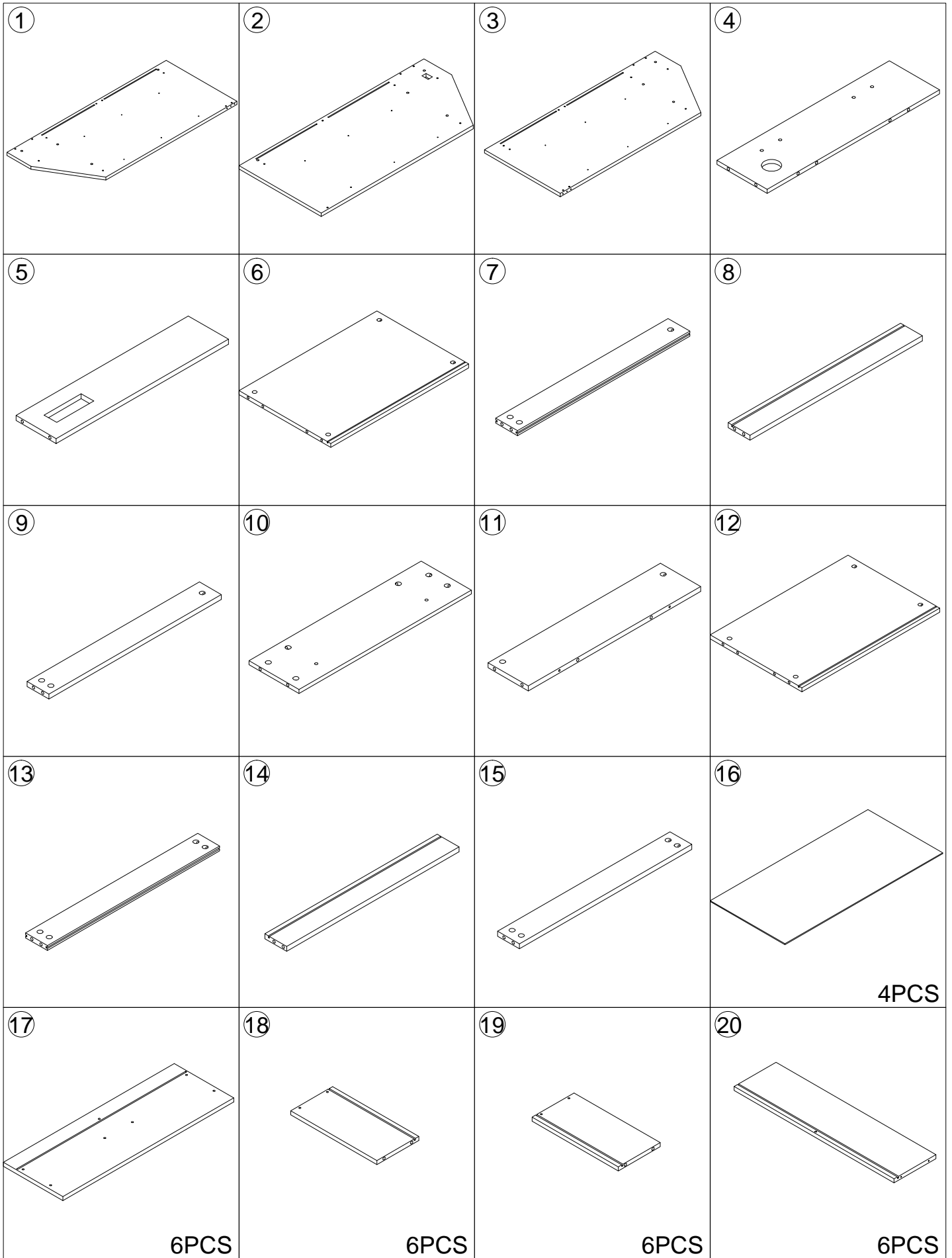


or

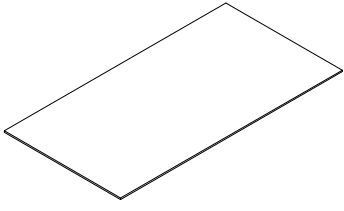
Style:B





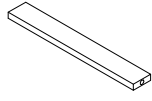


21



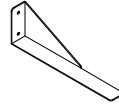
6PCS

22



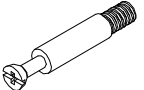
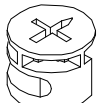

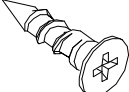
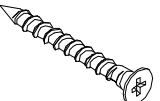

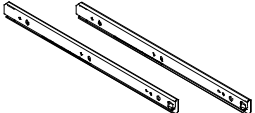




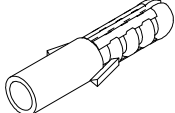
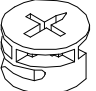

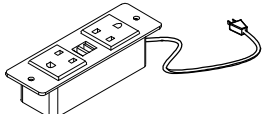

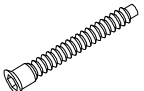
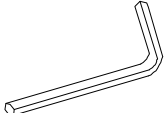
6PCS

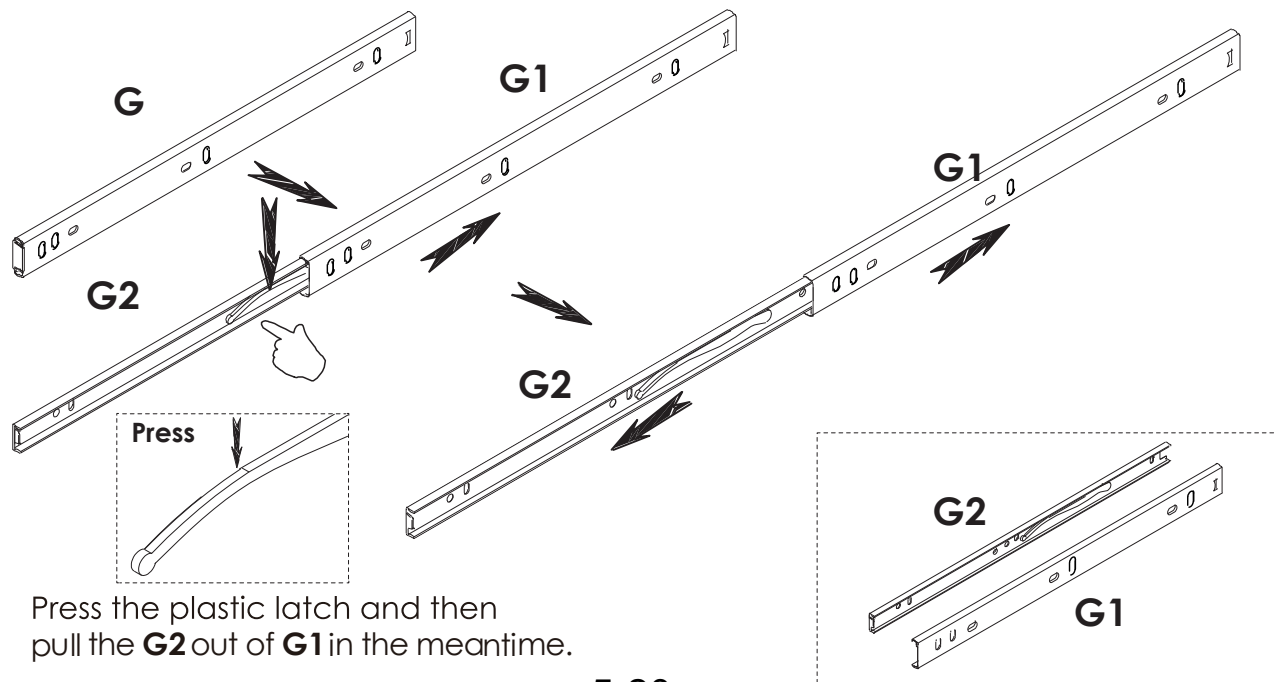
23



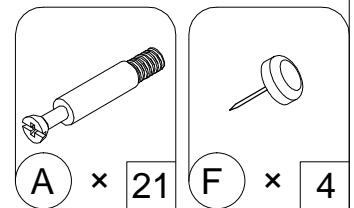
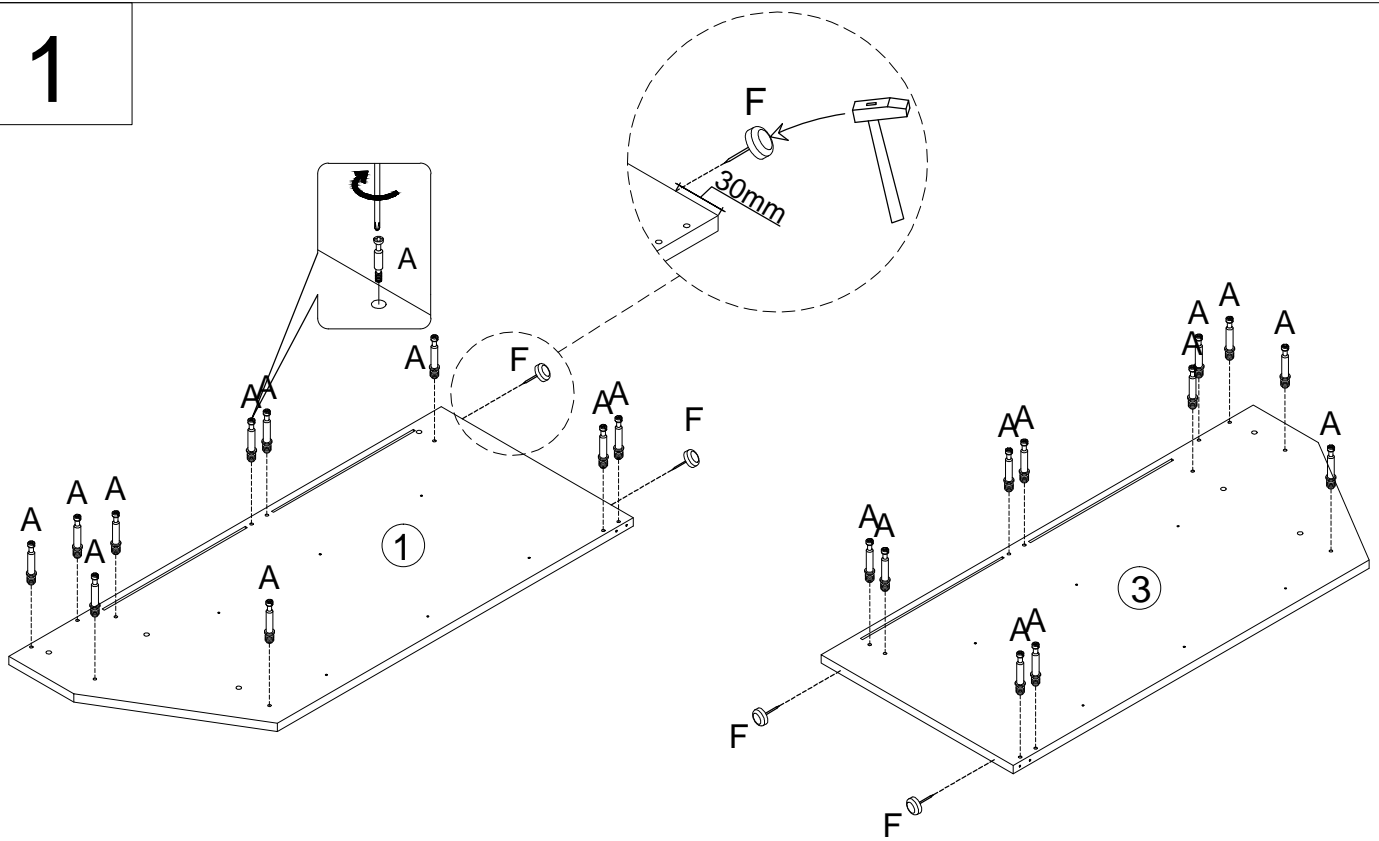
2PCS

IMPORTANT, RETAIN FOR FUTURE REFERENCE: READ CAREFULLY

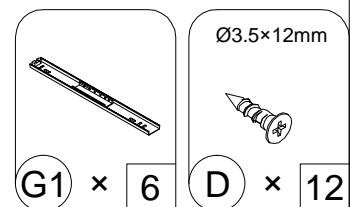
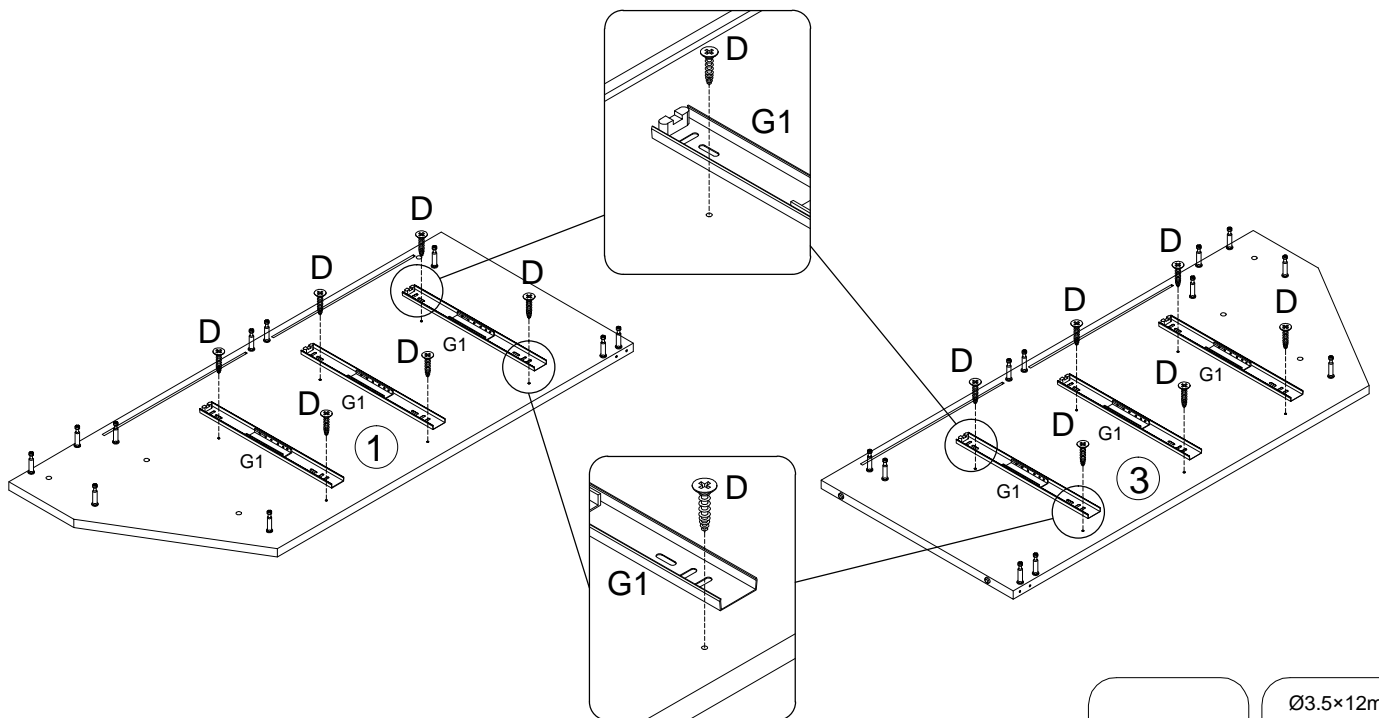
M6×35mm 	Ø15×12mm 	Ø8×30mm 	Ø3.5×12mm 
(A) 74pcs	(B) 32pcs	(C) 22pcs	(D) 66pcs
Ø4×35mm 	Ø14.5×4mm 	285mm 	
(E) 36pcs	(F) 8pcs	(G) 6pcs	(H) 6pcs
		Ø4×14mm 	
(I) 16pcs	(J) 2pcs	(K) 2pcs	(L) 2pcs
Ø15×10mm 	Ø4×18mm 		
(M) 42pcs	(N) 12pcs	(O) 1pc	(P) 1pc
7×40mm 	M4 		
(Q) 4pcs	(R) 1pc		



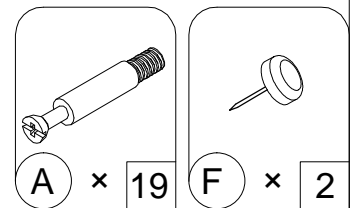
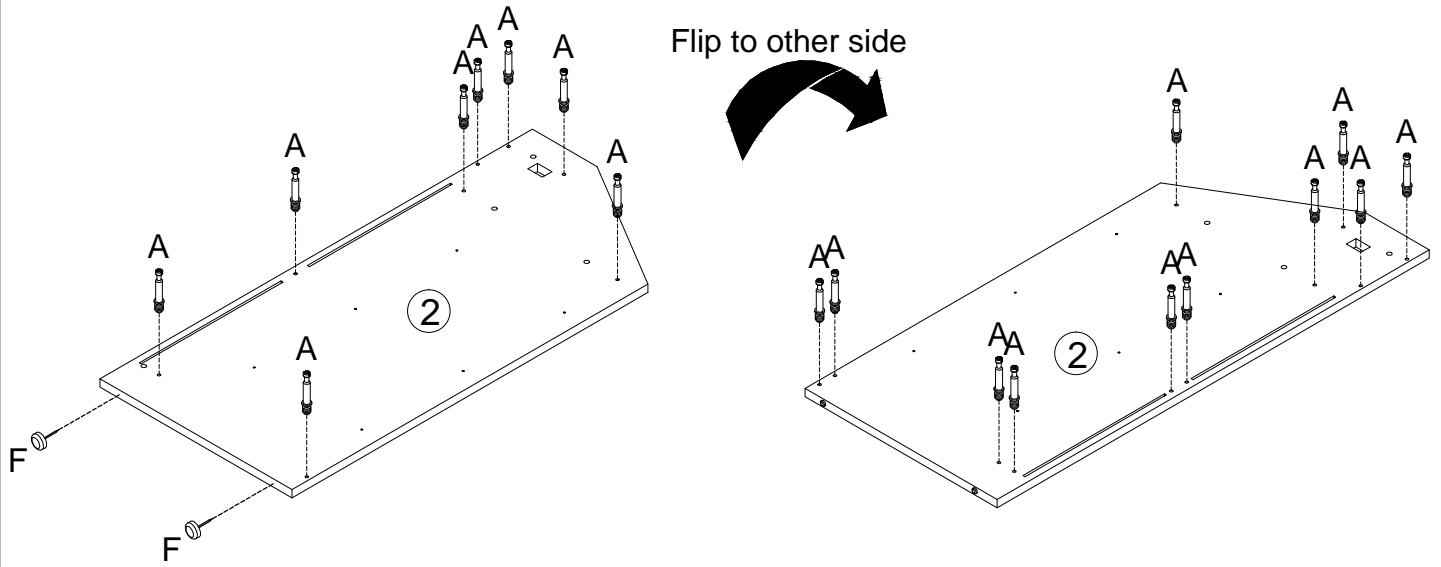
1



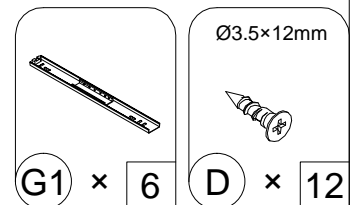
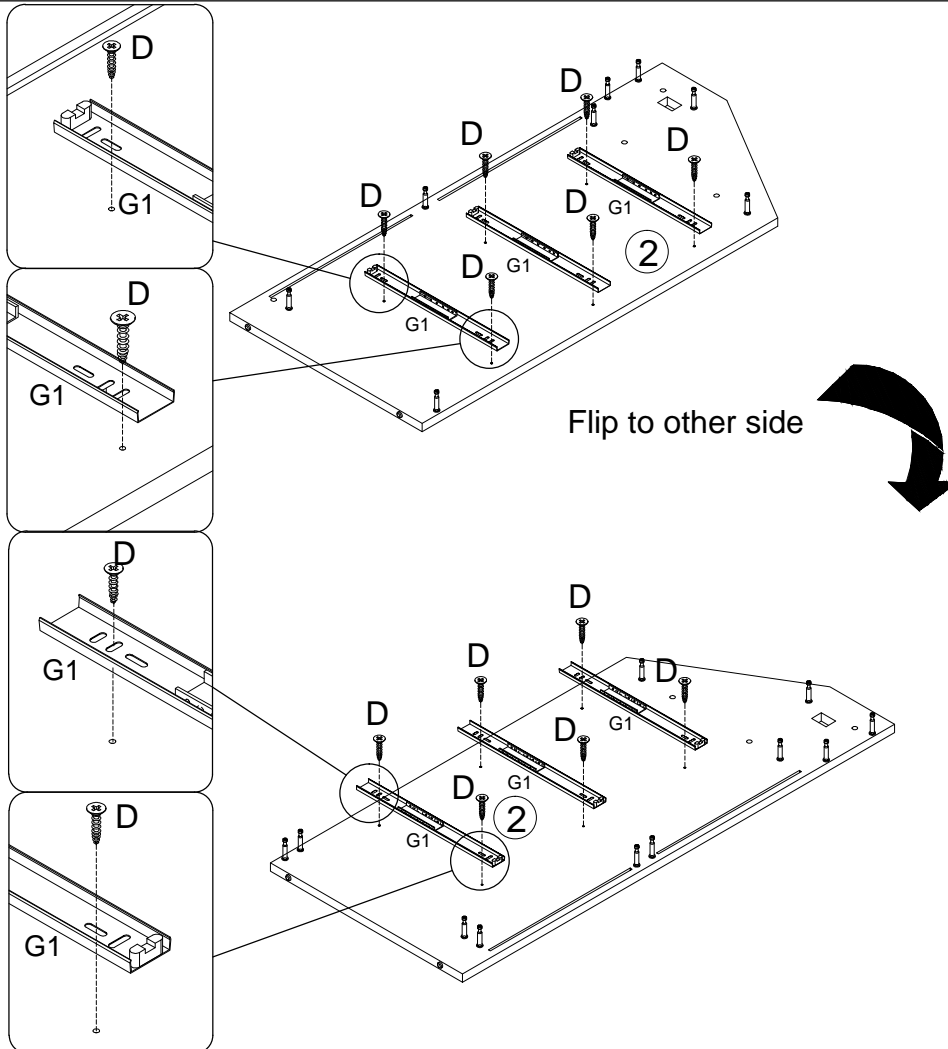
2



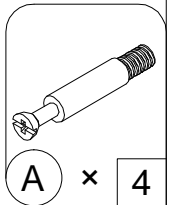
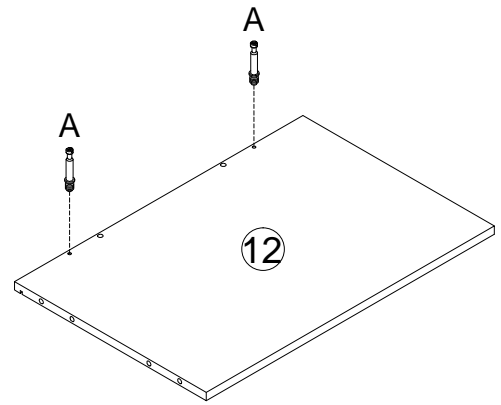
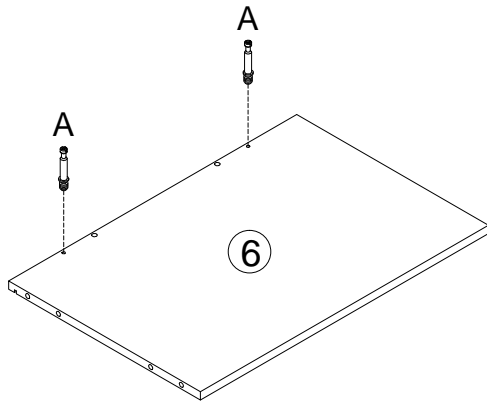
3



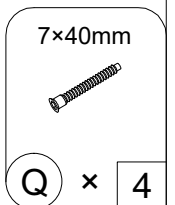
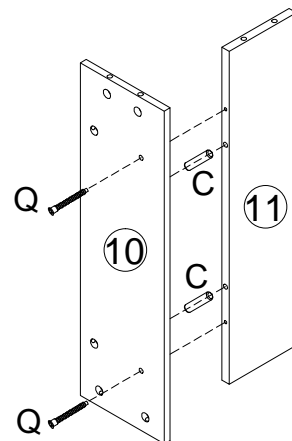
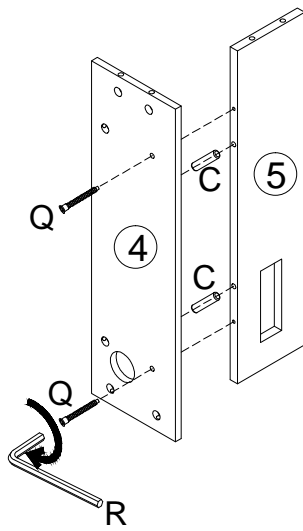
4



5

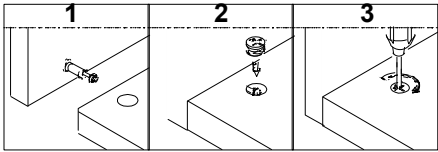
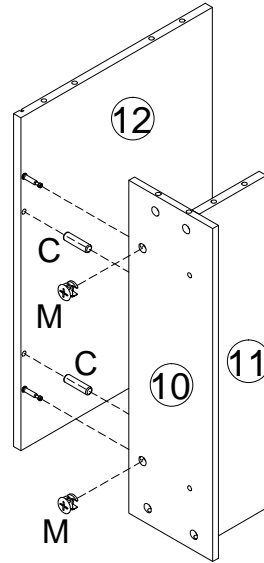
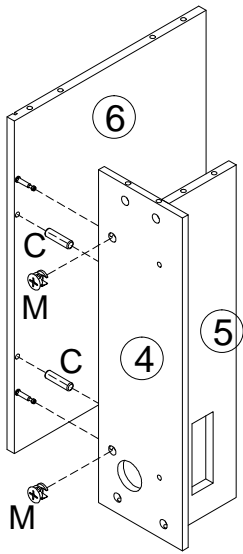


6

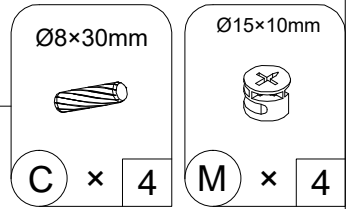


7

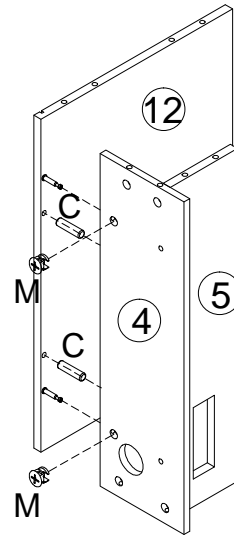
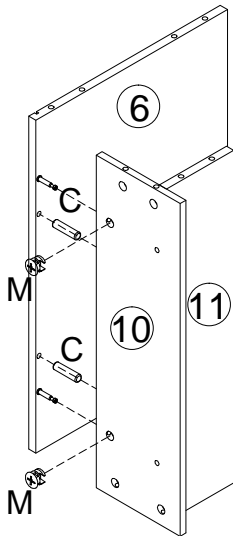
Style:A



or

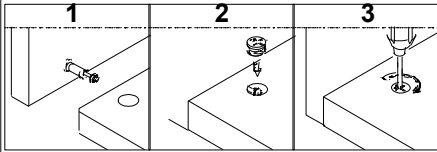
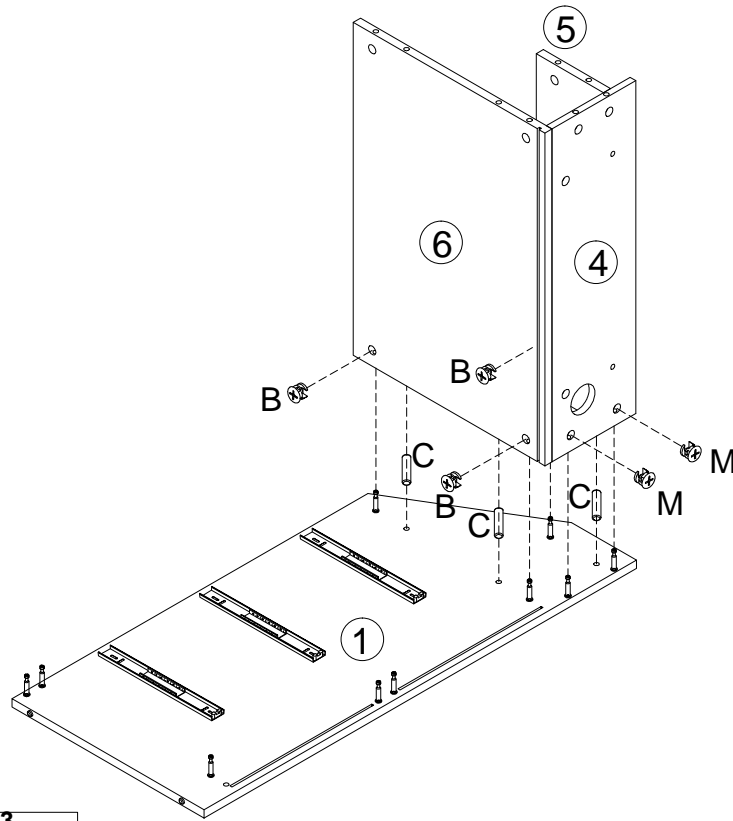


Style:B



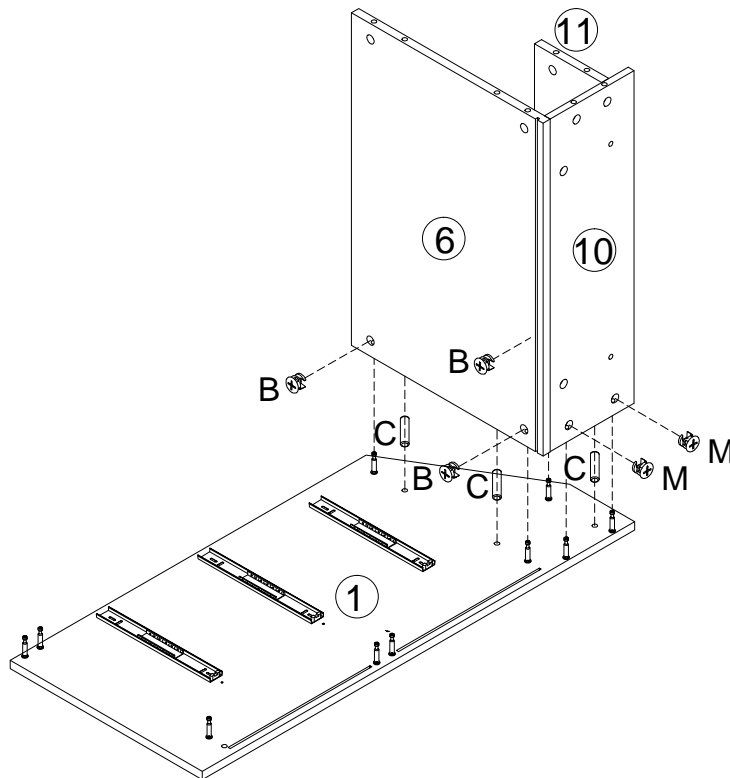
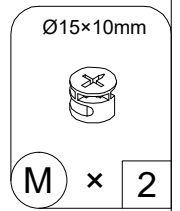
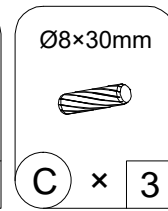
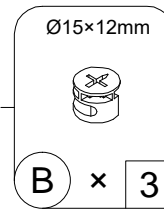
8

Style:A

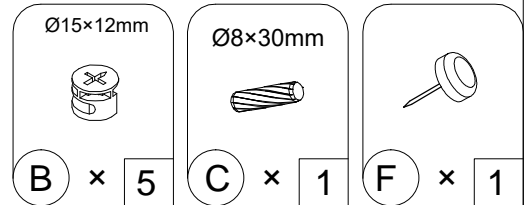
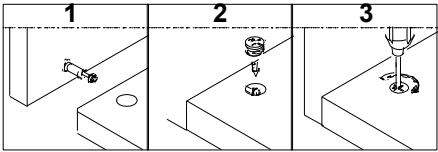
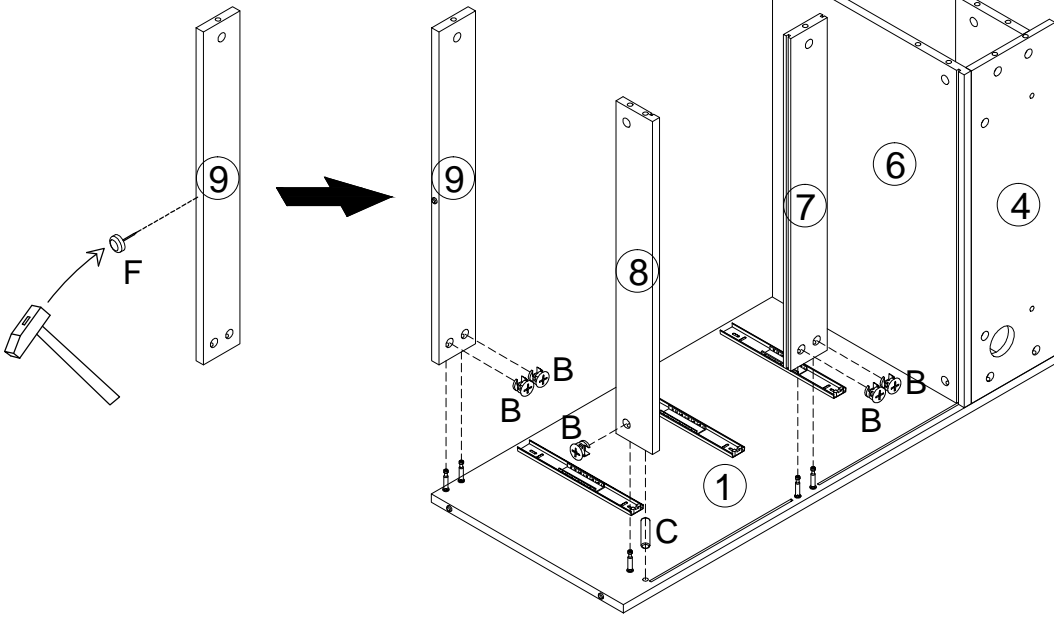


Style:B

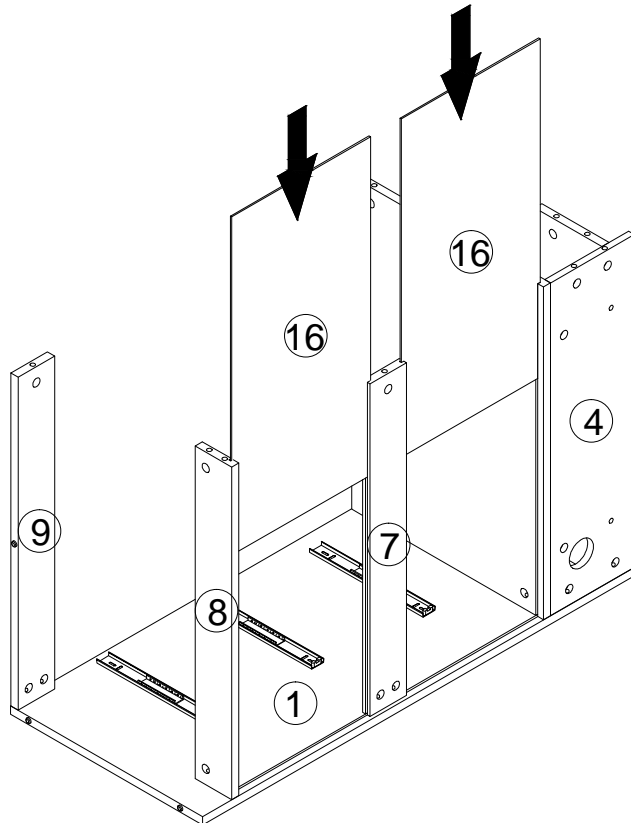
or

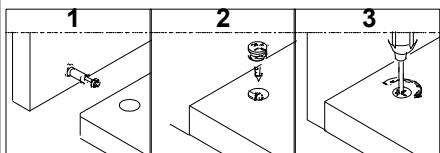
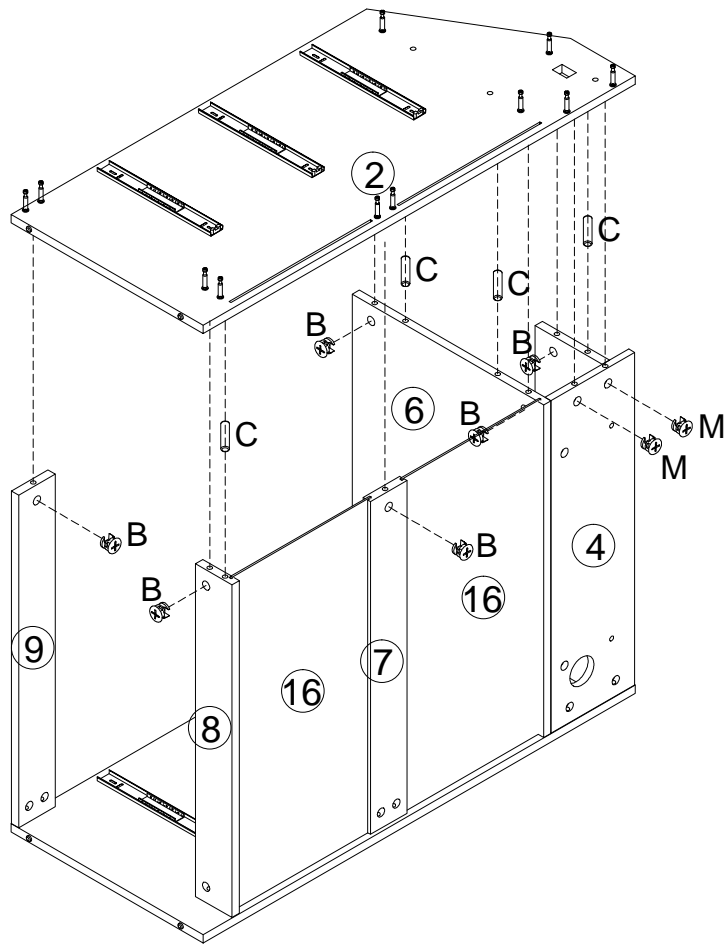





9



10

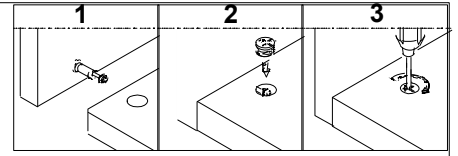
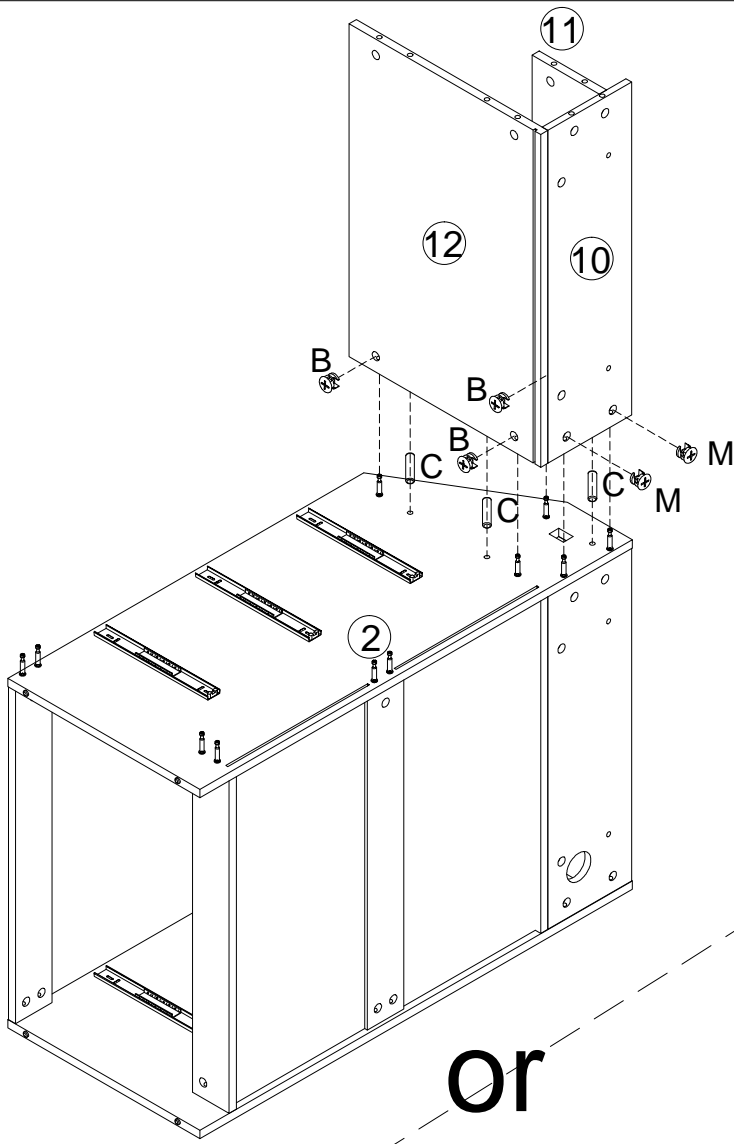




<p>Ø15×12mm</p>  <p>B × 6</p>	<p>Ø8×30mm</p>  <p>C × 4</p>	<p>Ø15×10mm</p>  <p>M × 2</p>
---	--	---

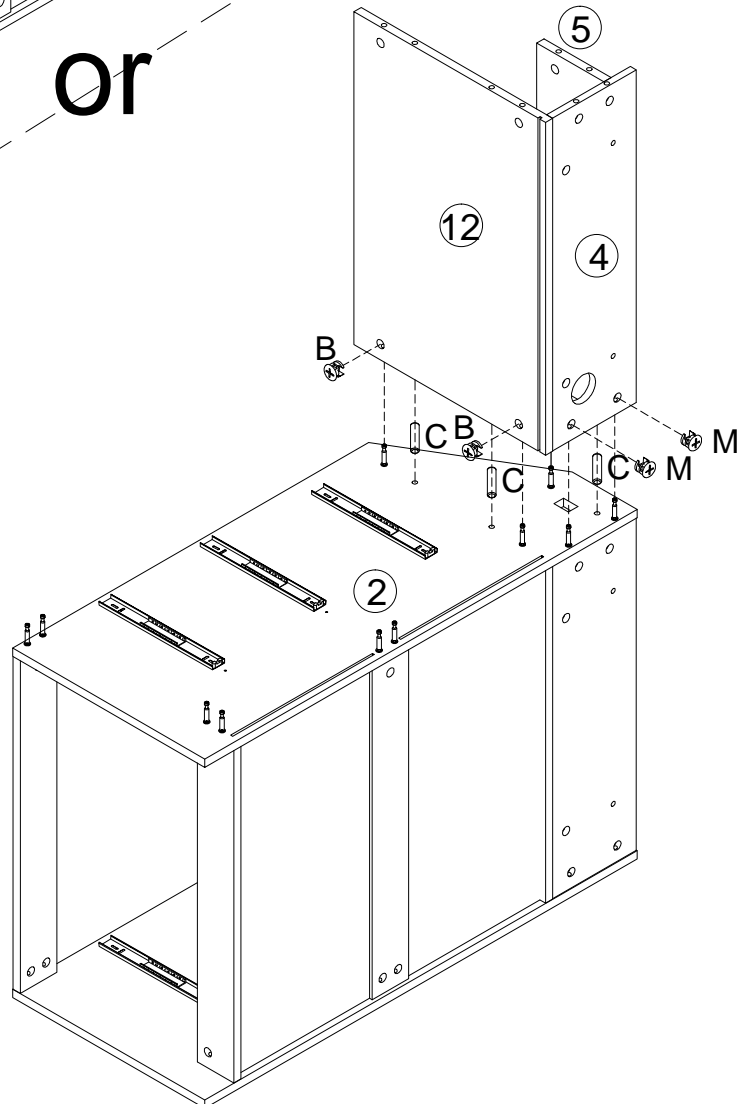
12

Style:A



or

Style:B



Ø15×12mm



(B) × 3

Ø8×30mm

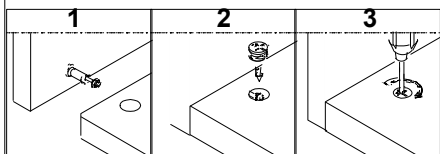
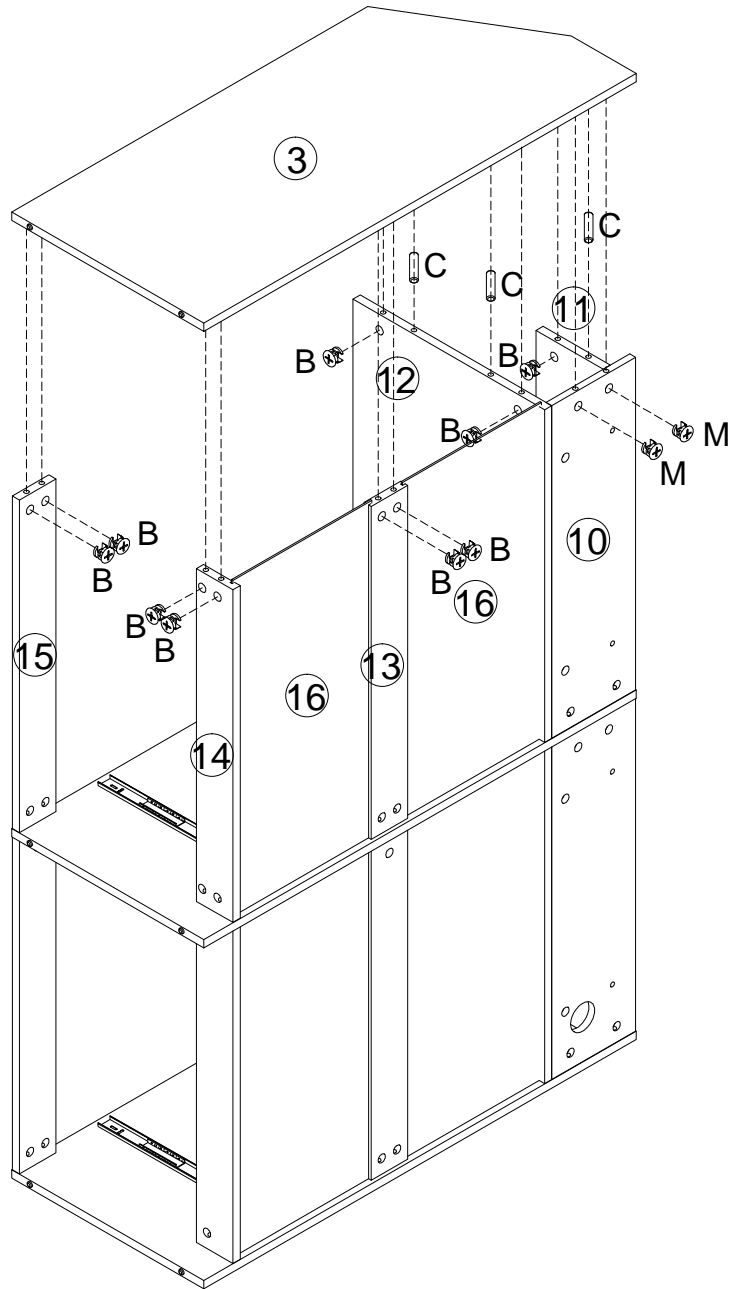





(C) × 3

Ø15×10mm

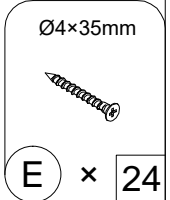
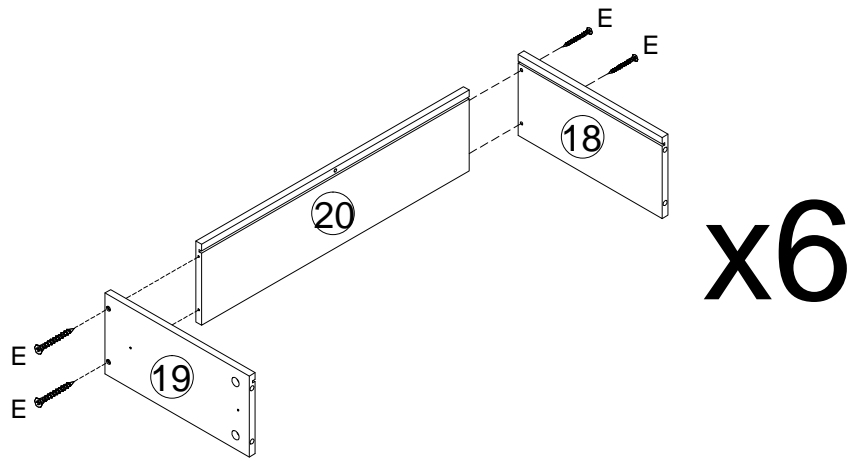


(M) × 2

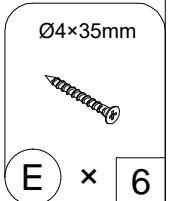
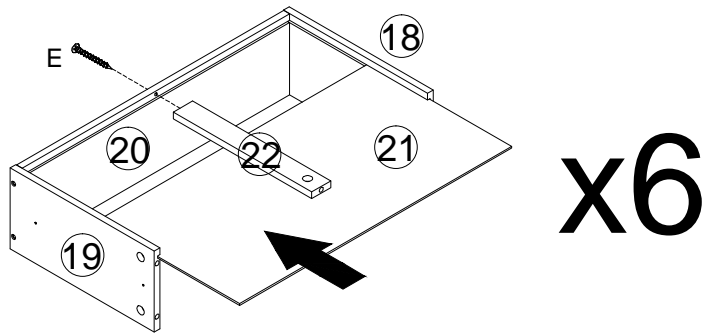


<p>Ø15×12mm</p> 	<p>Ø8×30mm</p> 	<p>Ø15×10mm</p> 
B × 9	C × 3	M × 2

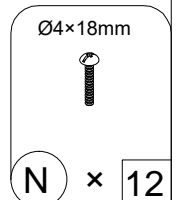
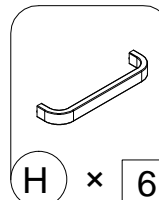
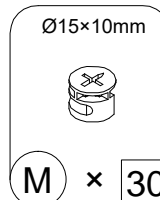
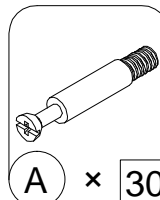
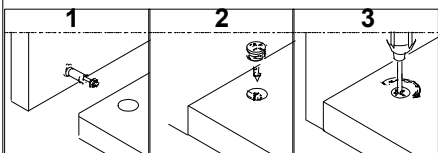
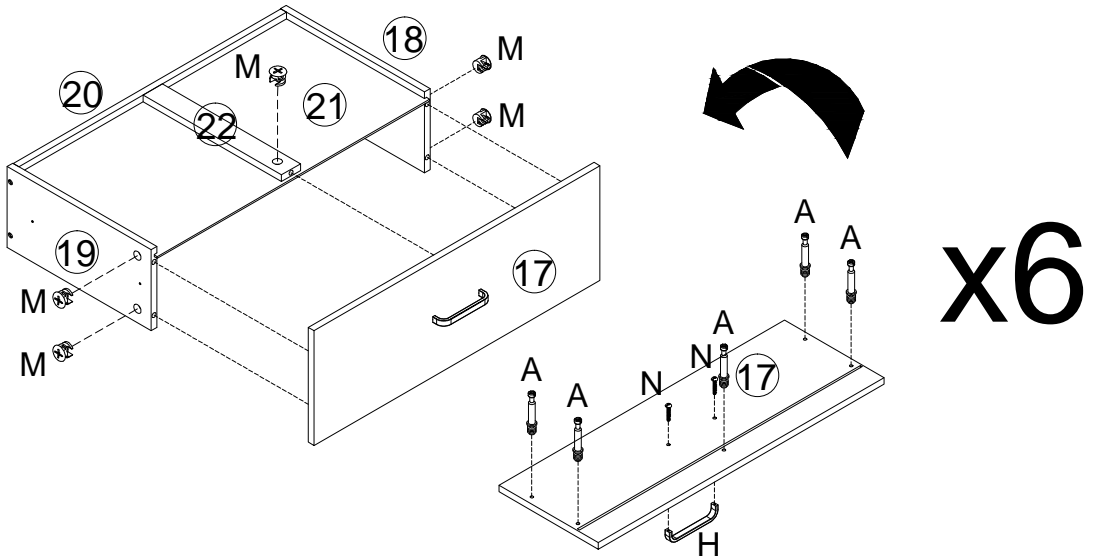
16



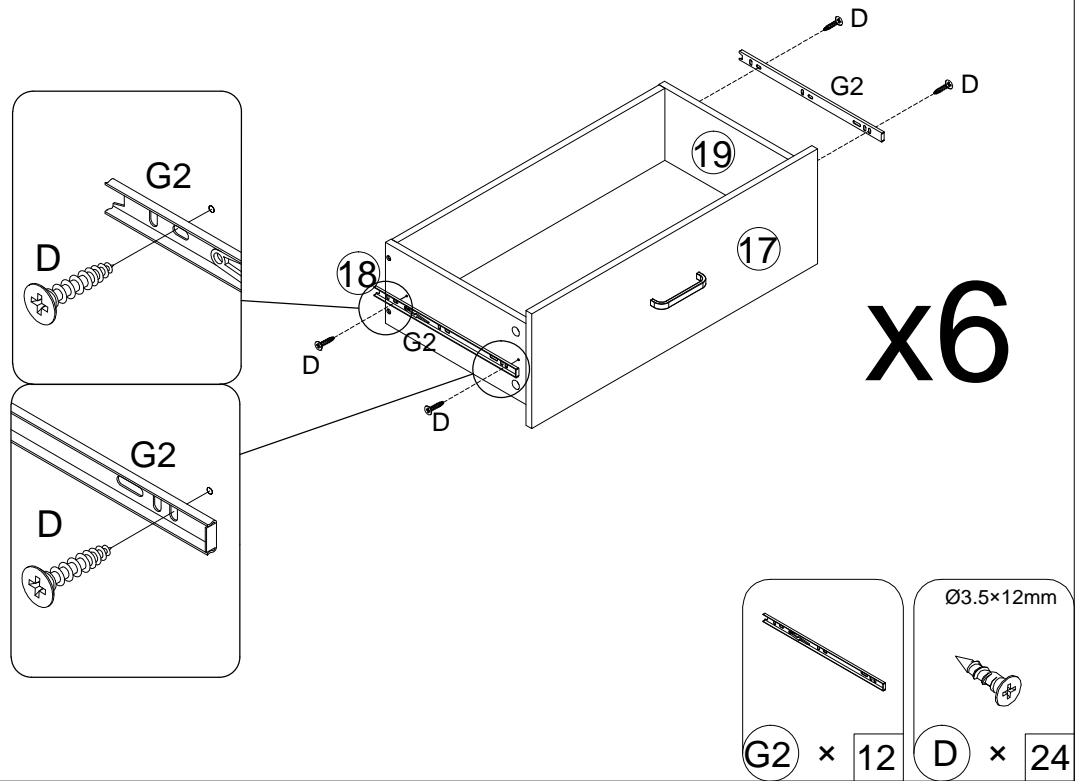
17



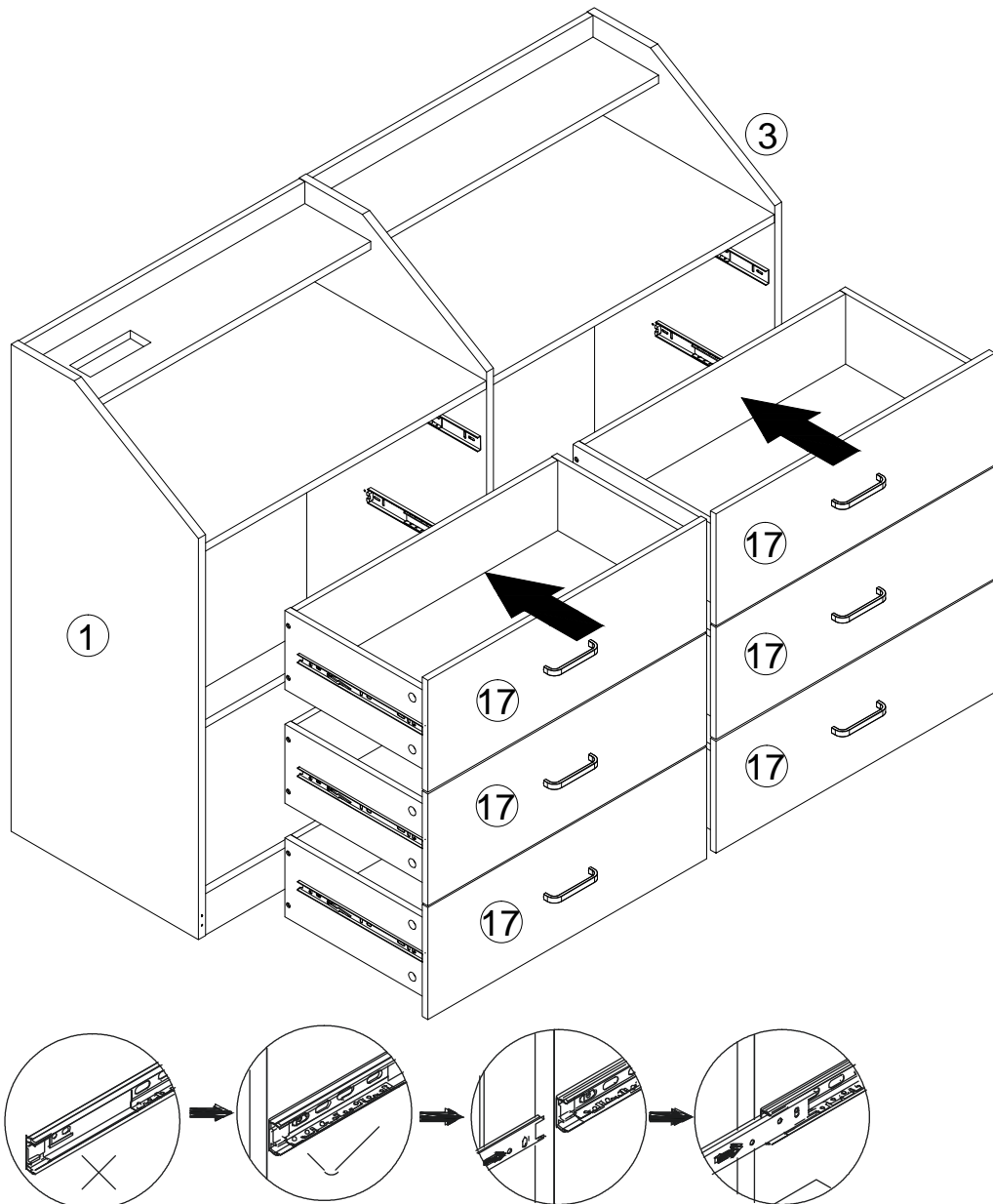
18



19

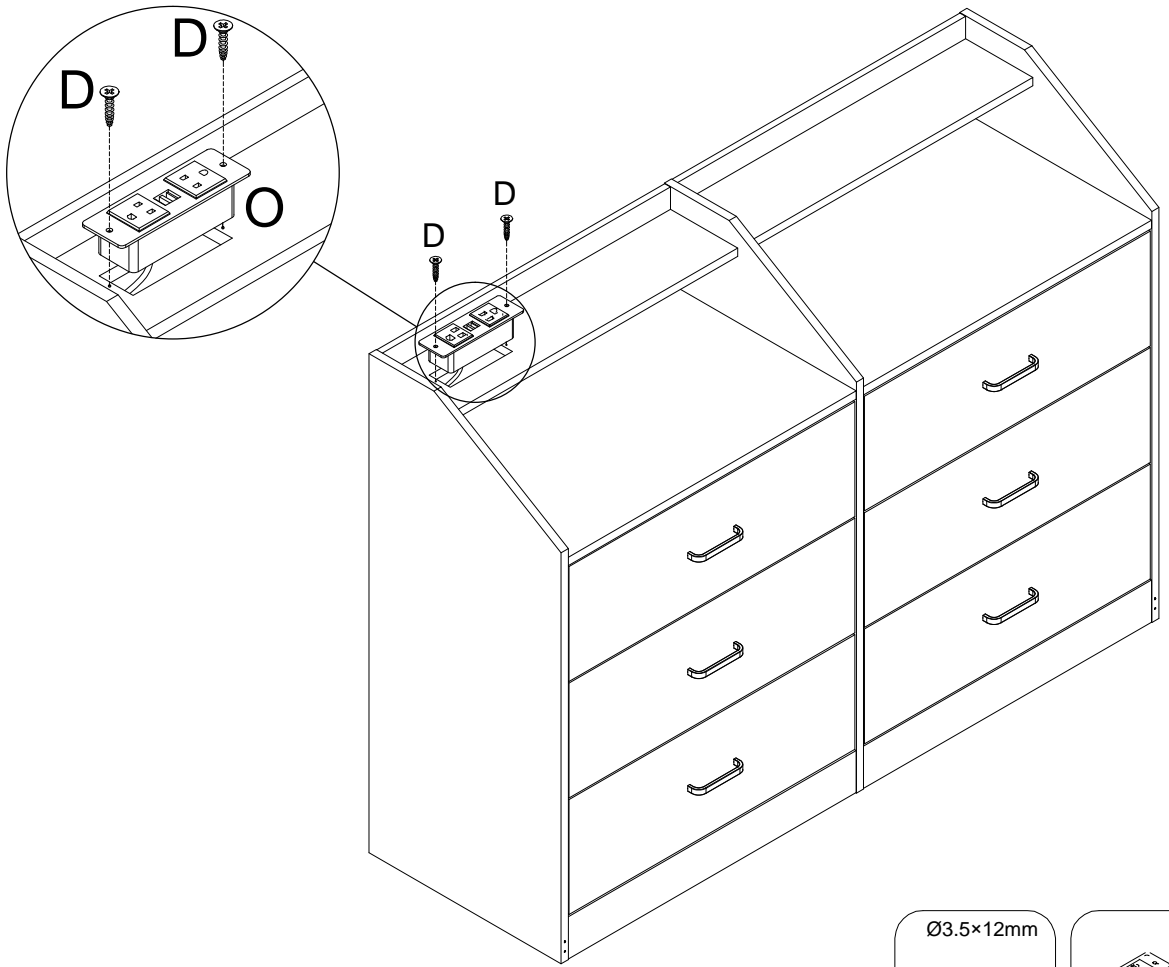


20



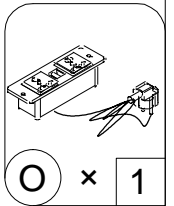
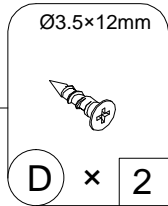
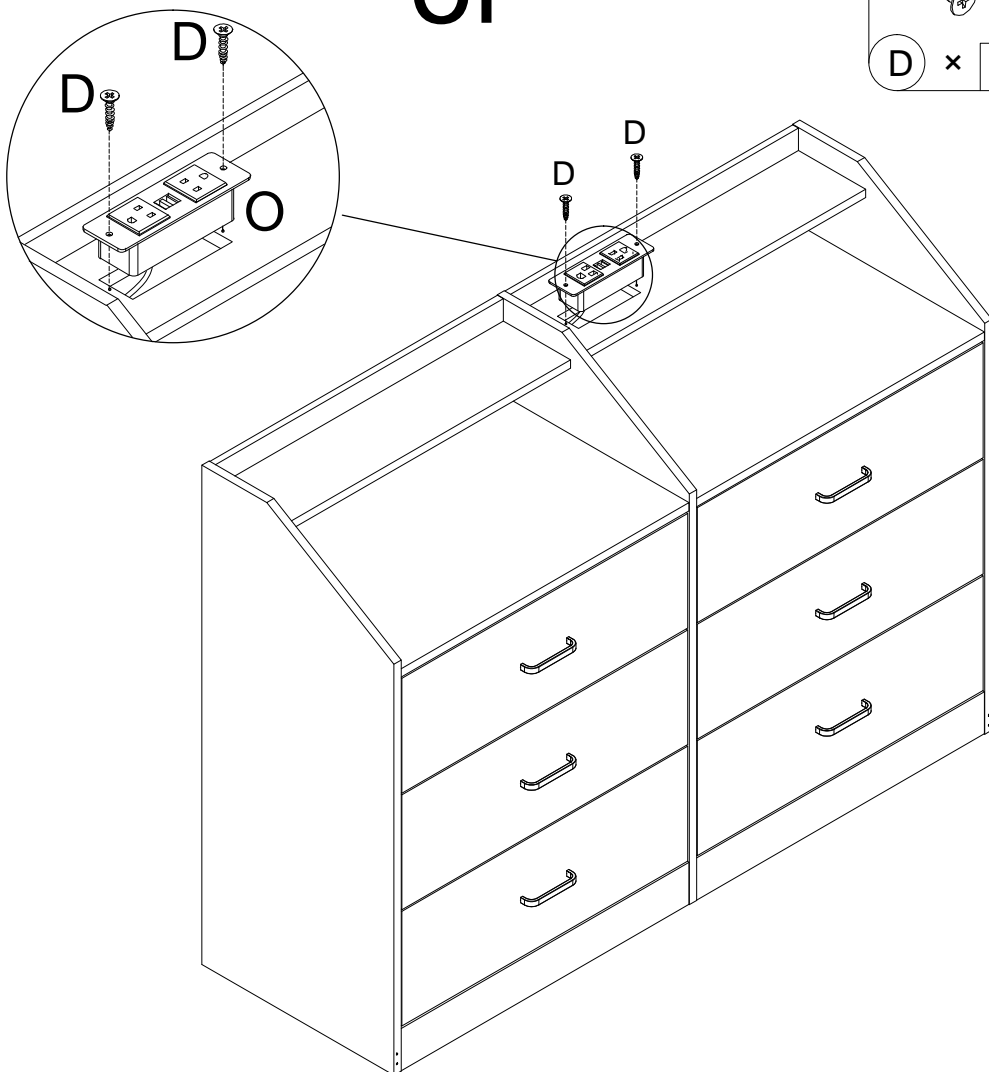
21

Style:A

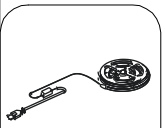
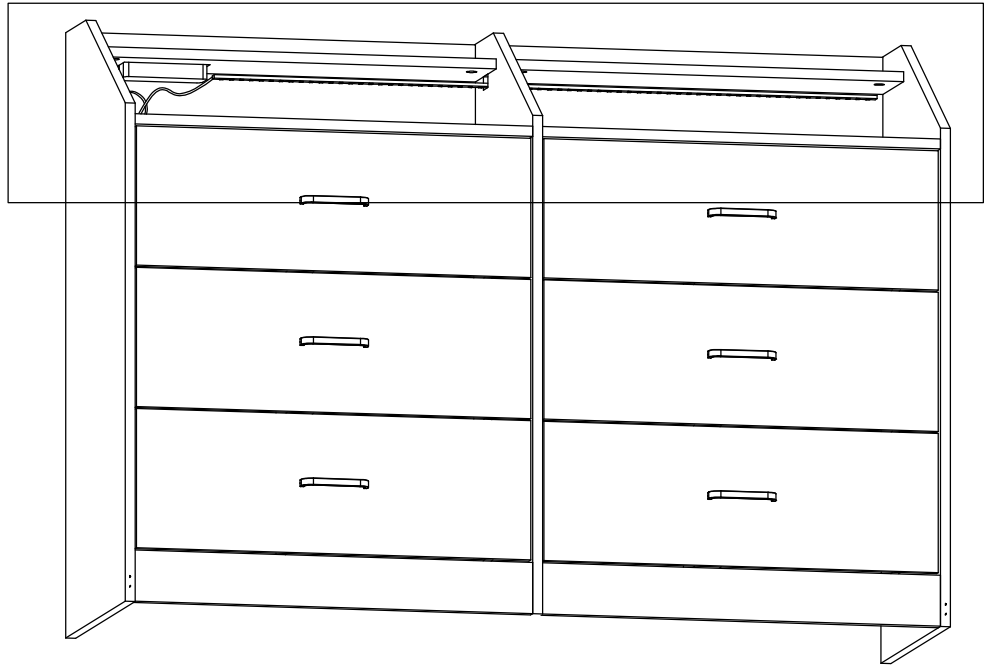
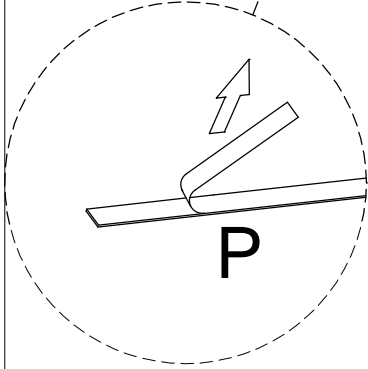
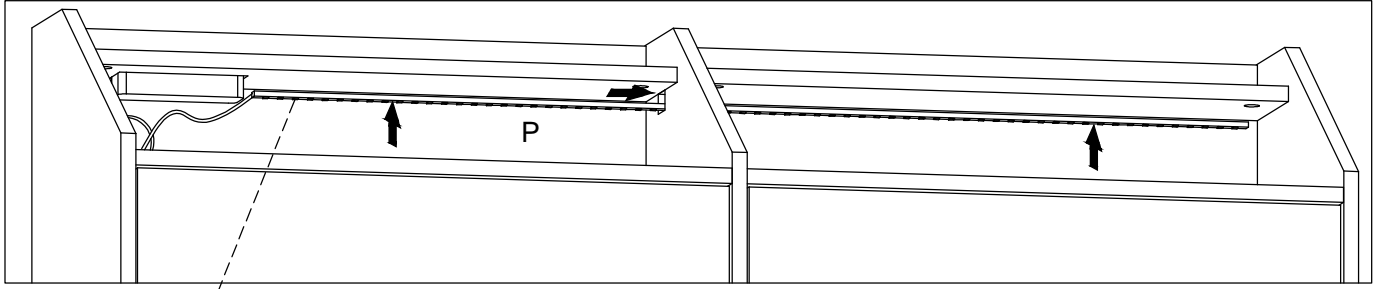


or

Style:B

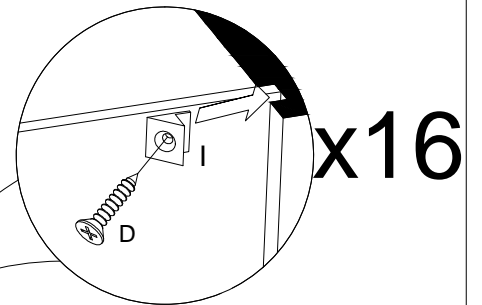
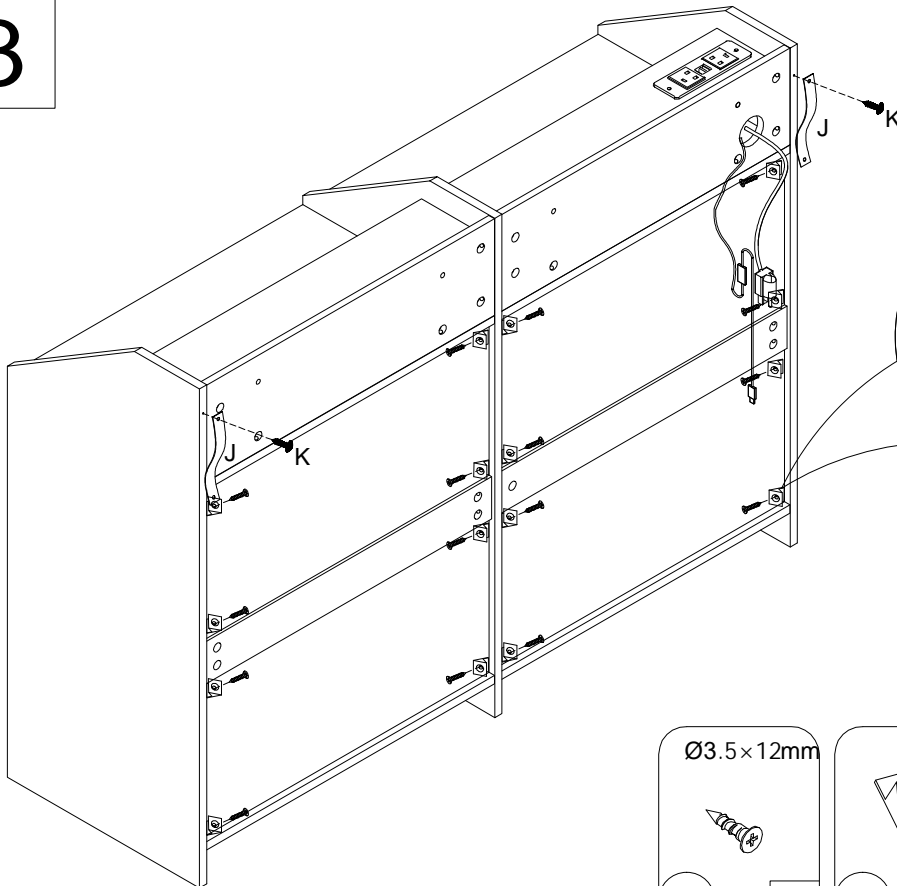


22



P × 1

23



Ø3.5×12mm



D × 16



I × 16



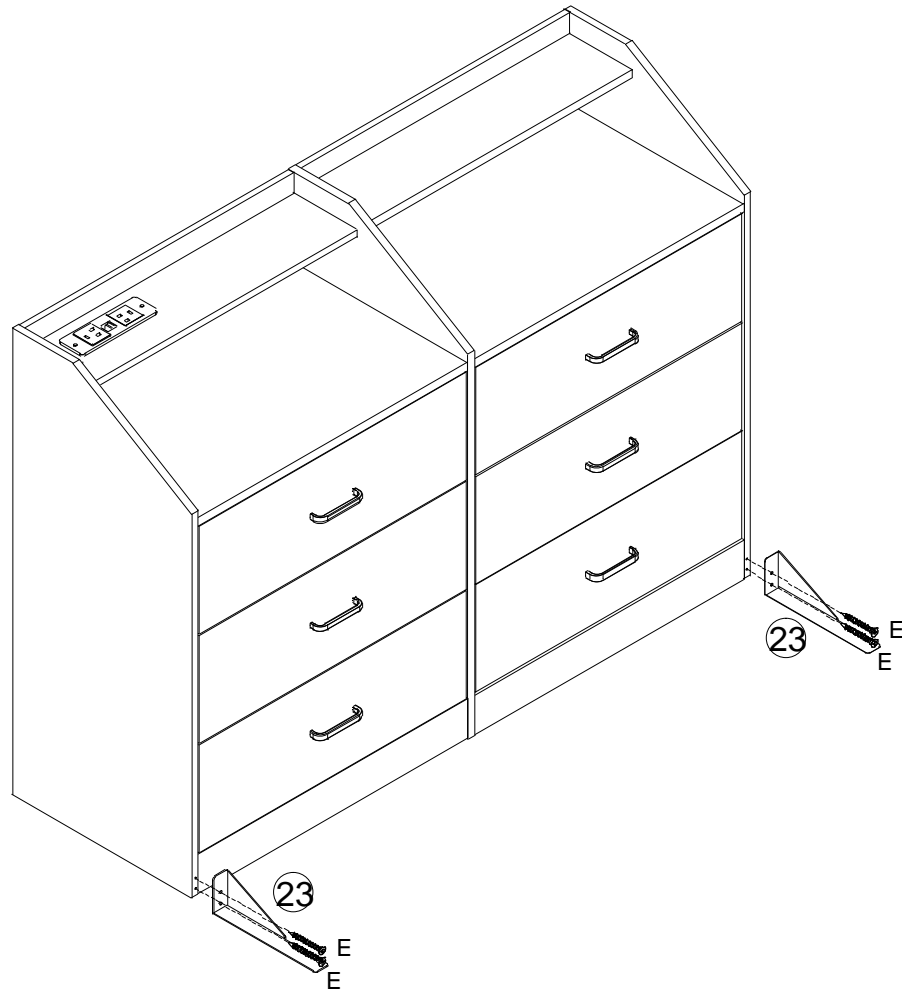
J × 2

Ø4×14mm



K × 2

24



25

