



User Manual

Laser Level

Mode: CM-701

Please read these instructions before operating the product.

Contact us: support@cigmantools.com



Content

Safety Notes	3
Intended Use.....	4
Initial Operation.....	5
Product Overview.....	6
Laser level.....	6
Remote Control.....	8
Operating Modes.....	9
Auto Self-leveling Mode.....	9
Manual Mode.....	10
Pulse Mode.....	10
Specification.....	11
Troubleshooting.....	12
Maintenance.....	13
Three Years Warranty.....	14



Safety Notes

Working safely with the measuring tool is possible when the operating and safety information are read completely and the instructions contained therein are strictly followed. Never make warning labels on the measuring tool unrecognizable. Save these instructions for reference.

- Caution - Using unmentioned operating or adjusting equipment can lead to dangerous radiation exposure.
- While the product is in operation, be careful not to expose your eyes to the emitting laser beam. Exposure to the beam of a Class 2 laser is considered safe for a maximum of 0.25 seconds. Eyelid reflexes will normally provide adequate protection.
- Do not stare directly into the beam or view directly with optical instruments or set up the laser at eye level.

- Have the measuring tool repaired through qualified specialists using original spare parts. This ensures that the safety of the measuring tool is maintained.
- Do not allow children to use the laser measuring tool without supervision. They could unintentionally blind other people or themselves.
- Do not operate the measuring tool in an explosive environment, such as in presence of flammable liquids, gases, or dust. Sparks can be created in the measuring tool which may ignite the dust or fumes.
- Do not make any modifications to the laser equipment.

Intended Use

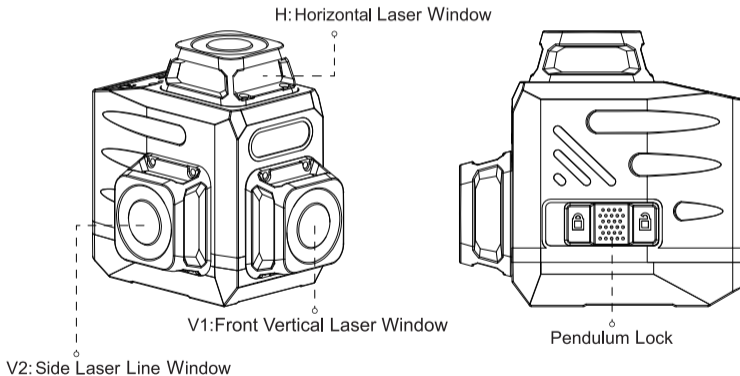
The measuring tool is intended for determining and checking horizontal and vertical lines. The measuring tool is suitable exclusively for operation in enclosed working sites.

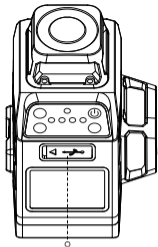
Initial Operation

- Protect the measuring tool against moisture and direct sunlight.
- Do not subject the measuring tool to extreme temperatures or variations in temperature. In case of large variations in temperature, allow the measuring tool to adjust to ambient temperature before putting it into operation.
- Avoid heavy impact to or falling down of the measuring tool.
- Switch the measuring tool off during transport.

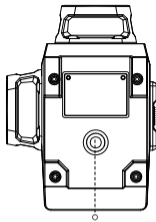
Product Overview

Laser level

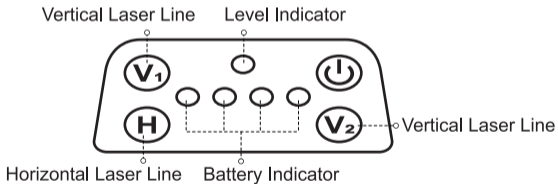




Type-c Battery Interface



1/4" Screw Hole



NOTE: Four battery indicators -- Fully charged.

One battery indicator -- Low battery.

Remote Control



V₁ : Control the vertical laser line at the front of the instrument.

V₂ : Control the vertical laser line on the side of the instrument.

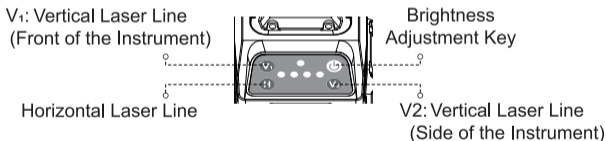
H : Control the horizontal laser line.

||| : Control the brightness of the laser, there are 4 gears to adjust.

Operating Modes

Auto Self-leveling Mode

- To switch on the measuring tool, slide Lock Switch to "🔒" position.
- Immediately after switching on, the measuring tool sends out 1 horizontal beam and 2 vertical beams with automatic leveling range of $\pm 4^\circ$. Once the leveling is finished, the laser beams won't flash anymore, the indicator glows green. Shortly press the corresponding button to control the laser beams:



- To turn off the measuring tool, slide lock switch to "🔒" position.

NOTE: When moving or storing the level, please keep the slide switch in the "🔒" position.

Manual Mode

In manual mode, the measuring tool won't be self-leveling. It could be held by hand or placed on an inclined surface to project a rigid laser beam in any orientation.

To switch on/off the measuring tool, press and hold the "⏻" for more than 3 seconds. Short-press "⏻" to adjust brightness cyclically, four gears are available.

Pulse Mode

In the self-leveling mode, long-press "⏻" to enter the pulse mode, the indicator light will keep flashing. This mode is invalid in power saving mode. When you open pulse mode, you can use a laser receiver(not included) to carry out leveling at long distances or when the laser beams are not visible.

Specification

Laser Class	Class II
Laser Wavelength	505~550nm
Leveling Accuracy	±1.5mm/5m
Leveling / Compensation Range	4°± 1°
Working Distance (Line)	30m
Operating Time	First Gear: 6 Hours Second Gear: 9 Hours Third Gear: 15 Hours Forth Gear: 30 Hours
Power Source	3.7V 4000mAh / Lithium Battery
IP Rating	IP54
Operation Temperature Range	-10°C~+50°C
Storage Temperature Range	-25°C~+70°C

Troubleshooting

Q: Couldn't turn off the laser level by pressing the key button when it is in Auto Self-leveling Mode.

A: In Auto Self-leveling mode, the key button is used to set energy-saving mode (short-press) and set pulse mode (long-press). You can turn lock switch to "🔒" position to turn off.

Q: Auto Self-leveling mode doesn't work.

A: Make sure the lock switch is at "🔒" position and self-leveling range is about 4°, otherwise it will always blink.

Q: When i turn lock switch from "🔒" to "🔓" position, the laser level would turn off.

A: Laser level is in Manual Mode when lock switch is at "🔓" position, you can press "🏠" to switch on the mode.

Q: There are lots of reflected laser lines.

A: It's normal when the laser level is used around glass or ceramic tile.

Maintenance

- Maintain and keep the measuring tool clean at all times.
- Regularly clean the surfaces at the exit opening of the laser in particular, and attention to any fluff or fibers.
- Wipe off debris using a moist and soft cloth, do not use any cleaning agents or solvents.
- Do not immerse the measuring tool in water or other fluids.
- Store and transport the measuring tool only in the supplied protection packing.
- If the laser level is unusable, it should be repaired by an authorized after-sales service. Do not open the gauge by yourself.
- In case of repairs, send the measuring tool packed in its protective packing.

Three Years Warranty

We are confident in our products and offer excellent and professional service to our customers. This statement is in addition to your effective rights and does not injure your statutory rights.

CIGMAN will repair, without charge, any defects due to faulty materials or workmanship for three years from the date of purchase provided that:

- Proof of purchase is produced.
- Service/repairs have not been attempted by unauthorized persons.
- The product has been subject to fair wear and tear.
- The product has not been misused.

Questions or Concerns?

Email: support@cigmantools.com