

INSPIRED BY COMFORT

 **Dometic**
SEALAND

VACUFLUSH

PRODUCT GUIDE



Includes specification sheets for:

**VacuFlush® Toilets, VacuFlush System Components, Holding Tank Systems,
and Marine Toilet System Components**

Lit. ID#	Revision Date	Description	Page
VACUFLUSH® TOILETS & COMPONENTS			
2905	01/2016	4800 Series VacuFlush Toilets	3
2904	11/2014	4700 Series VacuFlush Toilets	5
2907	11/2014	VacuFlush Switches, Indicators, Status Panels	7
2906	06/2011	5000 Series VacuFlush Toilets	9
2902	01/2016	500/700 Series VacuFlush Toilets	11
2901	09/2010	140 Series VacuFlush Toilets	13
VACUFLUSH® SYSTEM COMPONENTS			
2908	11/2014	VacuFlush Vacuum Components	15
HOLDING TANK SYSTEMS			
2909	10/2010	VHT Series Vacuum Holding Tanks	17
2803	08/2010	SailVac™ 5200 Vacuum Holding Tank	19
2910	01/2016	HTS-VG VacuFlush Holding Tanks	21
2919	01/2016	HTS Holding Tank Systems	23
MARINE TOILET SYSTEM COMPONENTS			
2921	10/2014	DTM Series Tank Monitor Systems	25
2922	10/2014	DTD Series Tank Discharge Controls	27
2926	10/2014	Waste Discharge Pump	29
2927	12/2010	Sanitation Hoses	30
2944	10/2014	ECO Holding Tank Vent Filter	31

4800 Series VacuFlush Toilets

Powerful, efficient flush. Luxurious comfort.



**Dual-Flush
Water-Saving
Modes!**

VacuFlush 4809 toilet
with VFS flush switch
(ordered separately;
see page 7)



VacuFlush® 4800 series all-ceramic toilets bring water-efficient flushing to a new level. Boatowners can now choose between two flush modes to suit their personal preference or conserve resources – without sacrificing the powerful, bowl-clearing performance of a VacuFlush system.

Using only 0.27 gal. (1.02 liters) per flush in the “normal” mode or 0.08 gal. (0.3 liter) in the “low” mode, 4800 series toilets greatly extend holding tank capacity between pump-outs as compared to other marine toilets. In the “low” mode, very little water remains in the toilet after flushing. This prevents splashing water out of the bowl while a boat is underway or in rough seas.

VacuFlush 4800 series toilets provide an abundance of features to enhance installation and performance. The contemporary shape features a compact footprint to fit in most any head compartment. Models are available in low-profile and standard-height units. Discriminating owners have these options: toilet or toilet/bidet combination unit; matching bidets; white or bone colors.



Toilet/bidet models combine electronic-flush operation with manually controlled, variable temperature bidet wash. Features gentle, aerated water flow.

Key Benefits

- Powerful vacuum flush
- Ultra low water consumption in two modes – “normal” flush at 0.27 gal. (1.02 l) or “low” flush at 0.08 gal. (0.3 liter)
- VacuFlush wall switch; compatible with popular Vimar and Gewiss frames (not included)
- Small footprint – fits in most any head compartment
- “Soft-close” thermoset seat
- Standard and low-profile heights
- Automatic “full tank” shutdown prevents overflowing the holding tank (when connected to tank level indication system)
- Service mode allows cleaning or other service without running water
- Toilet/bidet combination models available (white only)
- Matching free-standing bidet available
- 12 V DC or 24 V DC operation

Technical Specifications for VacuFlush® 4800 Series Toilets

MODEL	DESCRIPTION	DISCHARGE
4806	Low-profile all-ceramic VacuFlush electric toilet	through the floor, 1.5 in./38 mm dia. plumbing, vacuum
4826	Low-profile all-ceramic VacuFlush electric toilet/manual bidet combination (white only)	through the floor, 1.5 in./38 mm dia. plumbing, vacuum
4809	Standard-height all-ceramic VacuFlush electric toilet	through the floor, 1.5 in./38 mm dia. plumbing, vacuum
4848	Standard-height all-ceramic VacuFlush electric toilet	above the floor, 1.5 in./38 mm dia. plumbing, vacuum
4828	Standard-height VacuFlush electric toilet/manual bidet combination (white only)	above the floor, 1.5 in./38 mm dia. plumbing, vacuum
4829	Standard-height VacuFlush electric toilet/manual bidet combination (white only)	through the floor, 1.5 in./38 mm dia. plumbing, vacuum
4801	Standard-height manual bidet (white only)	through the floor, 1.5 in./38 mm dia. plumbing, gravity
4802	Low-profile manual bidet (white only)	through the floor, 1.5 in./38 mm dia. plumbing, gravity

Toilets available in white and bone colors unless indicated otherwise. 12 V DC and 24 V DC models available. Flush switch must be ordered separately (see page 9). Specifications subject to change without notice.

4800 Series System Requirements

ELECTRICAL	Toilet amp draw	2 amp @ 12 V DC; 1 amp @ 24 V DC
	Toilet circuit breaker/fuse	5 amp @ 12 V or 24 V DC
	Vacuum source* draw	6 amps/12 V DC; 3 amps/24 V DC)
	Vacuum source* circuit breaker/fuse	10 amps/12 V DC; 5 amps/24 V DC)
WATER SUPPLY	ID	0.5 in. NPT
	Flow rate	2.0 gpm/7.6 lpm minimum at toilet
DISCHARGE	Hose/PVC pipe ID	1.5 in./38 mm
	Horizontal run**	50 ft./15 m maximum to vacuum source
	Vertical run**	6 ft./1.8 m maximum to vacuum source
REQUIRED COMPONENTS	Electric flush switch †	Dometic VFS or VFP model
	Vacuum source †	VacuFlush vacuum generator, vacuum holding tank, or holding tank system

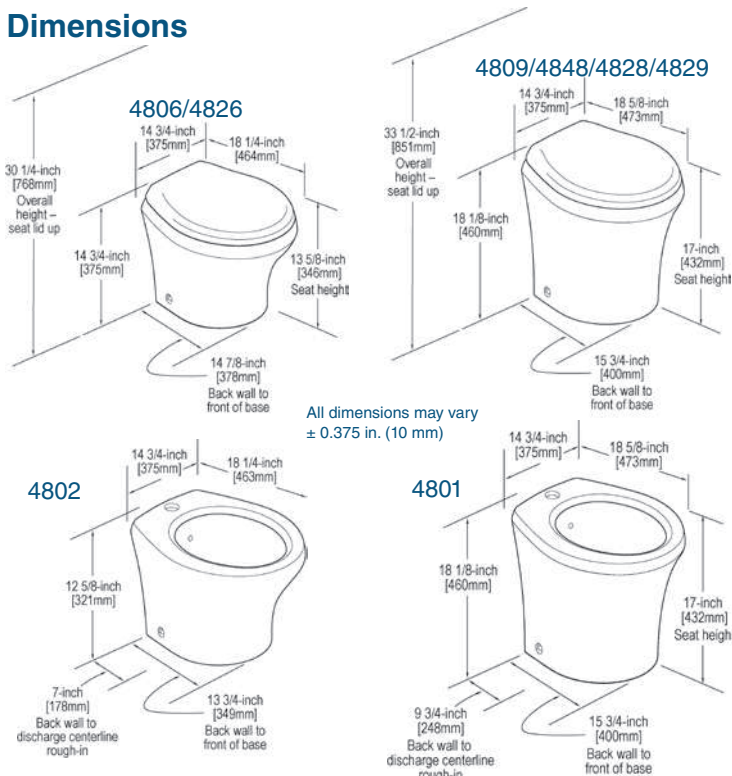
* Required for J and S series VacuFlush vacuum generators.

** Based on J and S series VacuFlush vacuum generator specifications. Where applicable, see VHT series vacuum holding tank manual for other installation specifications.

† Purchased separately.

Specifications subject to change without notice.

Dimensions



VacuFlush Switch Panels



VacuFlush wall-mounted flush switches feature backlit push buttons for easy use, even in low light. The VFS model includes a generic frame, or can be fitted with a Vimar Idea, Vimar Eikon, or Gewiss Chorus frame. The VFP model accommodates a Gewiss Playbus frame.

See page 7 for details.

Water-saving Flush Settings

To reduce water consumption from 1 US quart (0.95 l) to 1 US pint (0.5 l) per flush, change from “Normal” to “Low” flush option by pressing “flush” switch for about five seconds. When “power on” light begins flashing, release “flush” switch. Flush setting has been changed. Change back to “Normal” setting in the same manner.



4700 Series VacuFlush Toilets

Powerful performance. Premium comfort.



4700 series
VacuFlush toilet
with electronic
flush handle

VacuFlush 4709 toilet
with VFS flush switch
(ordered separately;
see page 7)

Get the water-conserving efficiency of VacuFlush technology in an opulent, residential-scale toilet with VacuFlush 4700 series toilets. Upscale style and electronic operation perfectly complement today's tastes in motor yacht design and convenience.

With freshwater flushing, instantaneous evacuation of bowl contents, and thorough rinsing action, VacuFlush 4700 series toilets deliver sparkling clean, odor-free performance. Using only 0.33 gal. (1.26 liter) per flush in the "normal" mode or 0.10 gal. (0.39 liter) in the "low" mode, 4700 series toilets greatly extend the use of a holding tank between pump-outs as compared to manual and other electric toilets. In the "low" mode, very little water remains in the toilet after flushing. This prevents splashing water out of the bowl while a boat is underway or in rough seas.

VacuFlush 4700 series toilets provide an abundance of features to satisfy diverse owner preferences and boatbuilder requirements. 4700 series toilets come in standard-height units with above-floor or below-floor discharge options. Electronic flushing can be activated by either a residential-style handle or wall-mounted switch. Additional options include a choice of white or bone colors.

Key Benefits

- Powerful vacuum flush
- Ultra low water consumption in two modes – "normal" flush at 0.33 gal. (1.26 l) or "low" flush at 0.10 gal. (0.39 l)
- VacuFlush wall switch; compatible with popular Vimar and Gewiss frames (not included)
- Flat-back design – fits against bulkheads
- Residential-style wood seat with elongated opening
- Automatic "full tank" shutdown prevents overflowing the holding tank (when connected to tank level indication system)
- Service mode allows cleaning or other service without running water
- 12 V DC or 24 V DC operation

Technical Specifications for 4700 Series VacuFlush® Toilets

MODEL	DESCRIPTION	DISCHARGE
4709	Standard-height all-ceramic VacuFlush electric toilet	through the floor, 1.5 in./38 mm dia. plumbing, vacuum
4748	Standard-height all-ceramic VacuFlush electric toilet	above the floor, 1.5 in./38 mm dia. plumbing, vacuum

White and bone colors available. 12 V DC and 24 V DC models available. Flush switch must be ordered separately (see page 7). Specifications subject to change without notice.

4700 Series VacuFlush System Requirements

ELECTRICAL	Toilet amp draw	2 amp @ 12 V DC; 1 amp @ 24 V DC
	Toilet circuit breaker/fuse	5 amp @ 12 V or 24 V DC
	Vacuum source* draw	6 amps/12 V DC; 3 amps/24 V DC)
	Vacuum source* circuit breaker/fuse	10 amps/12 V DC; 5 amps/24 V DC)
WATER SUPPLY	ID	0.5 in. NPT
	Flow rate	2.5 gpm/9.5 lpm minimum at toilet
DISCHARGE	Hose/PVC pipe ID	1.5 in./38 mm
	Horizontal run**	50 ft./15 m maximum to vacuum source
	Vertical run**	6 ft./1.8 m maximum to vacuum source
REQUIRED COMPONENTS	Electric flush switch †	Dometic VFS or VFP model
	Vacuum source †	VacuFlush vacuum generator, vacuum holding tank, or holding tank system

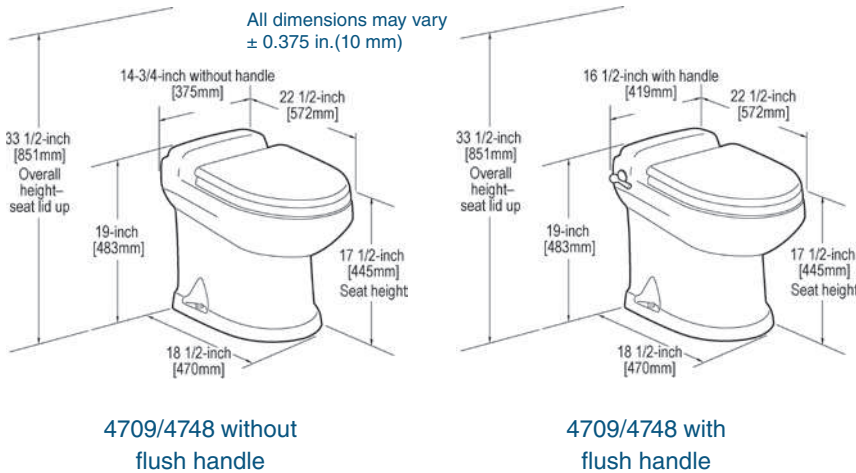
* Required for J and S series VacuFlush vacuum generators.

** Based on J and S series VacuFlush vacuum generator specifications. Where applicable, see VHT series vacuum holding tank manual for other installation specifications.

† Purchased separately.

Specifications subject to change without notice.

Dimensions



VacuFlush Switch Panels



VacuFlush wall-mounted flush switches feature backlit push buttons for easy use, even in low light. The VFS model includes a generic frame, or can be fitted with a Vimar Idea, Vimar Eikon, or Gewiss Chorus frame. The VFP model accommodates a Gewiss Playbus frame.

See page 7 for details.

Water-saving Flush Settings

To reduce water consumption, change from “Normal” to “Low” flush option by pressing “flush” switch for about five seconds. When “power on” light begins flashing, release “flush” switch. Flush setting has been changed. Change back to “Normal” setting in the same manner.

VacuFlush® Toilet Flush Switch Panels

Versatile designs fit popular Vimar, Gewiss frames



Key Benefits

- Complete add water/flush control at the touch of a button
- Integrated vacuum status/power lights indicate when toilet is ready to flush
- Backlit push buttons offer easy location for user, even in dark
- Adaptable with popular Vimar and Gewiss trim frames
- “Service” mode keeps flush ball open for cleaning or other service operation
- Fast installation with ethernet cable (RJ45 connectors)
- CE approved
- 12 V DC or 24 V DC operation

Panels fitted with Vimar and Gewiss frames will vary in appearance and size.

Dimensions (actual size shown)
3.42 in. w x 3 in. h / 89 mm x 76 mm – VFS panel with standard frame

For electronic-flush VacuFlush toilet models, our wall-mounted flush switches offer streamlined styling while delivering user-friendly push-button operation. The VFS model includes a standard Dometic frame, yet it also can be fitted with a Vimar Idea, Vimar Eikon, or Gewiss Chorus frame to complement a boat’s existing electronic switch design. The VFP model will accommodate only a Gewiss Playbus-style frame.

MODEL	DESCRIPTION	COLOR	VOLTAGE	ITEM
VFS	VacuFlush switch panel - standard	gray	12/24	313408010
		white	12/24	313408020
VFP	VacuFlush switch panel - Gewiss Playbus-style	gray	12/24	313408030

VFS standard panel fits Dometic, Vimar Eikon, Vimar Idea, and Gewiss Chorus frames. VFP will retrofit with Gewiss Playbus frames. All flush switch panels include 10 ft./3 m electrical cable that connects to flush switch and all-ceramic VacuFlush toilet circuit board. Specifications subject to change without notice.



“Do Not Flush” light indicates that toilet system vacuum is recharging or that holding tank is full (when connected to Dometic tank level indication system).



VacuFlush® Status Panels

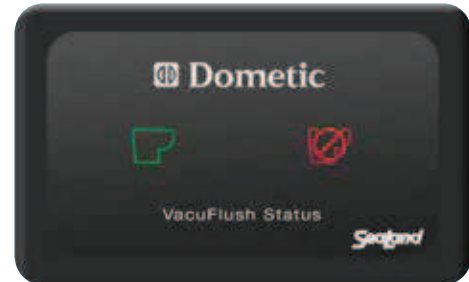
Assures readiness of VacuFlush toilets

DVS01 Status Panel

Designed primarily for pedal-style VacuFlush toilets, the DVS01 panel indicates when electrical power to the toilet system is turned on, and when the vacuum level is ready for flushing (green light). When vacuum is recharging or the holding tank is full (if connected to a “full tank” sensor), the red light illuminates to indicate that the toilet should not be flushed.

Key Benefits

- Continuous monitoring of toilet system's vacuum status
- Operates on only 16 mA @ 12 V DC or 24 V DC
- Complements other Dometic panels and controls



Item no. 313535000 - 12 V DC or 24 V DC

Dimensions

3.25 in. w x 2 in. h / 83 mm x 51 mm

DNF Status Panel

“Do Not Flush” panel connects to a VacuFlush toilet system to indicate two conditions: insufficient vacuum for toilet operation, or that the toilet system power is off due to a full holding tank (must be connected to shut-down relay).

Key Benefits

- Operates on only 16 mA @ 12 V DC or 24 V DC
- Complements other Dometic panels and controls



Item no. 313712000 - 12/24 V DC, black

Dimensions

3.25 in. w x 2 in. h / 83 mm x 51 mm

DVS02 Status Control Panel

DVS02 panel makes a VacuFlush toilet system easier and more efficient to use. Lights indicate when there is enough vacuum pressure for an effective flush, when vacuum is insufficient for flushing, or when the holding tank is full (if connected to a “full tank” sensor). The power switch allows turning off electrical power to the vacuum system during periods when the toilet is not in use.

Key Benefits

- Continuous monitoring of toilet system's vacuum status
- Easy control of VacuFlush toilet system power
- Operates on only 12-16 mA @ 12 V DC or 24 V DC
- Complements other Dometic panels and controls



Item no. 313530012 - 12 V DC, black
 Item no. 313530024 - 24 V DC, black
 Item no. 313530112 - 12 V DC, white
 Item no. 313530124 - 24 V DC, white

Dimensions

3.25 in. w x 3.25 in. h / 83 mm x 83 mm

5000 Series VacuFlush® Toilets

Compact design. Powerful, efficient flush.



Model 5009
VacuFlush Toilet

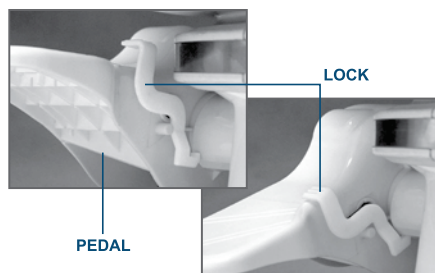
VacuFlush® 5000 series toilets deliver many value-added benefits of a vacuum toilet system to a wide range of boat installations.

The clean, odor-free performance of VacuFlush 5000 series toilets is the result of freshwater flushing, instantaneous evacuation of bowl contents, and thorough rinsing action. Using only 0.10 gal. (0.39 liter) per flush, 5000 series toilets greatly extend the use of a holding tank between pump-outs as compared to manual and other electric toilets which consume three or four times more water. An integral water-line check valve provides anti-siphon protection for freshwater systems.

Available in three heights, the 5000 series will accommodate diverse floor plans, including placement on raised platforms. Shallow front-to-back footprint dimensions allow boatowners fit one in virtually any space. All three sizes are available in sparkling white and bone colors.

Pedal Lock

5140 series VacuFlush® toilets include a pedal lock. When installed in a toilet system with a VHT 12, VHT 4500, or VHT 5200 vacuum holding tank, the pedal lock holds the flush ball open to allow positive air pressure into the holding tank during pump-out. This helps assure thorough discharge of the holding tank.



Key Benefits

- Powerful vacuum flush; foot-pedal activated
- Ultra low water consumption – only 0.10 gal. (0.39 liter) per flush
- Small footprint – fits in most any head compartment
- Full-size residential-style wood seat.
- Deep, household-size bowl
- Three heights available – standard, medium and low-profile
- Through-the-floor or through-the-wall discharge options
- 12 V DC or 24 V DC operation (connects to VacuFlush vacuum generator or holding tank system)

Technical Specifications for 5000 Series VacuFlush® Toilets

MODEL	DESCRIPTION	DISCHARGE	WEIGHT**
5006	Low-profile VacuFlush toilet	through the floor*	27 lbs./12.2 kg
5009	Standard-height VacuFlush toilet	through the floor*	28 lbs./12.7 kg
5047	Standard-height VacuFlush toilet	above the floor, right	28 lbs./12.7 kg
5048	Standard-height VacuFlush toilet	above the floor, rear	28 lbs./12.7 kg
5049	Standard-height VacuFlush toilet	above the floor, left	28 lbs./12.7 kg
5146	Medium-height VacuFlush toilet	through the floor*	28 lbs./12.7 kg
5147	Medium-height VacuFlush toilet	above the floor, right	28 lbs./12.7 kg
5148	Medium-height VacuFlush toilet	above the floor, rear	28 lbs./12.7 kg
5149	Medium-height VacuFlush toilet	above the floor, left	28 lbs./12.7 kg

* Hose or pipe discharge connection. All others use hose only.

** Weights may vary ± 2-3 percent.

Specifications subject to change without notice.

5000 Series VacuFlush System Requirements

ELECTRICAL	Vacuum pump* draw	6 amps/12 V DC; 3 amps/24 V DC)
	Vacuum pump* circuit breaker/fuse	10 amps/12 V DC; 5 amps/24 V DC)
WATER SUPPLY	ID	0.5 in. NPT fitting
	Flow rate	2.0 gpm/7.6 lpm at toilet, minimum
DISCHARGE	ID	1.5 in./38 mm ID plumbing
	Horizontal run**	50 ft./15 m maximum to vacuum source
	Vertical run**	6 ft./1.8 m maximum to vacuum source
REQUIRED COMPONENT	Vacuum source †	VacuFlush vacuum generator, vacuum holding tank, or holding tank system

* Required for J and S series VacuFlush vacuum generators.

** Based on J and S series VacuFlush vacuum generator specifications. Where applicable, see VHT series vacuum holding tank manual for other installation specifications.

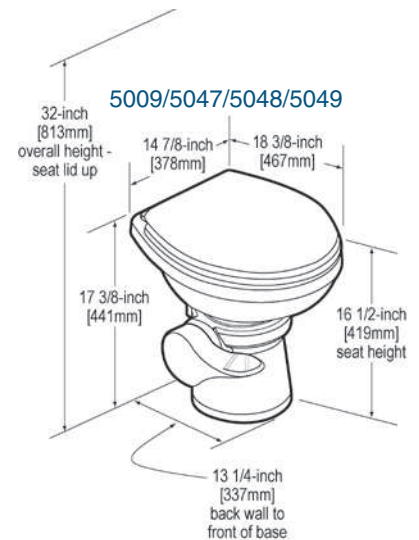
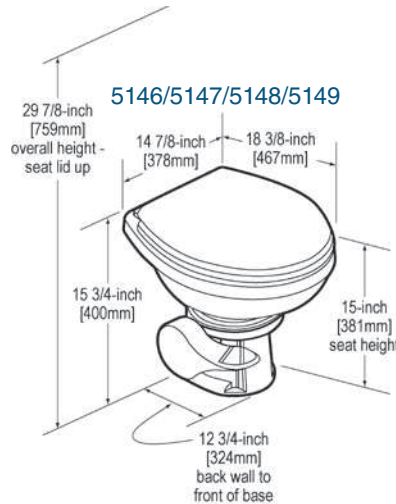
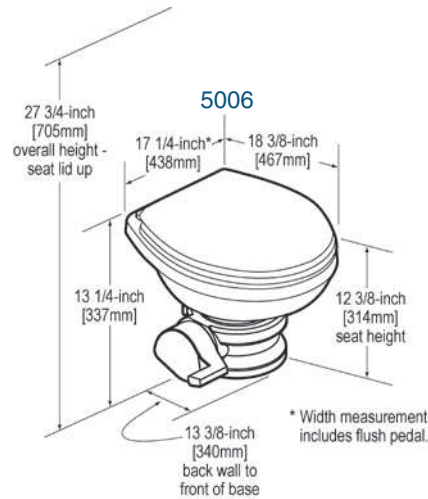
† Purchased separately.

Specifications subject to change without notice.



Model 5147
VacuFlush Toilet

Dimensions



All dimensions may vary ± 0.375 in. (10 mm)

500 and 700 Series VacuFlush® Toilets

Powerful performance, premium efficiency



Model 506+
VacuFlush Toilet

Model 509+
VacuFlush Toilet

500 Plus Series VacuFlush Toilets

Thousands of boatowners worldwide enjoy the easy operation, robust flush, and worry-free advantages of VacuFlush 500 Plus series toilets. Elongated seat and deep bowl provide the most home-like comfort available in pedal-flush toilets. Miserly water consumption extends freshwater resources as well as holding tank use between pump-outs. An integral vacuum breaker protects the water supply, and the anti-splash rim keeps water in the bowl while underway. With a wide selection of color, height and discharge options, it's easy to specify a VacuFlush 500 Plus toilet to fit most any boat.

Key Benefits

- Elongated, solid seat for comfort and support
- As little as 0.10 gal. (0.39 liter) per flush
- Foot-pedal operation adds water, flushes toilet
- Standard-height and low-profile models
- Below-floor and multiple above-floor discharge options
- Available in white, bone, platinum, ebony colors

706 VacuFlush Toilet

With the ultra-compact model 706, a VacuFlush toilet can be fitted to smaller boats, and deliver the same powerful flush as larger VacuFlush toilet models.

Key Benefits

- Compact size fits small compartments
- As little as 0.10 gal. (0.39 liter) per flush
- Solid seat for home-like comfort
- Foot-pedal operation adds water, flushes toilet
- Integral vacuum breaker protects water supply
- Below-floor discharge; rotates 360°
- Available in white, bone colors



Model 706
VacuFlush Toilet

500 Plus Series Technical Specifications

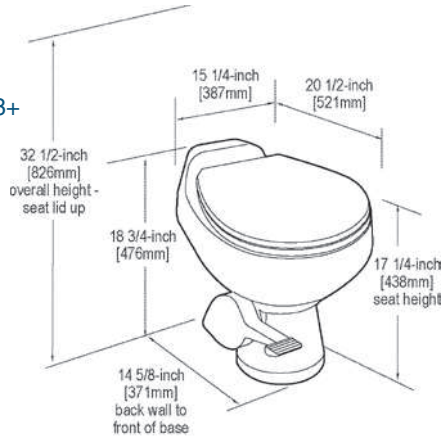
MODEL	DESCRIPTION	DISCHARGE	WEIGHT**
506+	Low-profile pedal-flush VacuFlush toilet	through the floor*	40 lbs./18.1 kg
509+	Standard-height pedal-flush VacuFlush toilet	through the floor*	41 lbs./18.6 kg
547+	Standard-height pedal-flush VacuFlush toilet	above the floor, right	41 lbs./18.6 kg
548+	Standard-height pedal-flush VacuFlush toilet	above the floor, rear	41 lbs./18.6 kg

All models are available in white, bone, platinum and ebony color.
 * Hose or pipe discharge connection. All others use hose only.
 Specifications subject to change without notice.

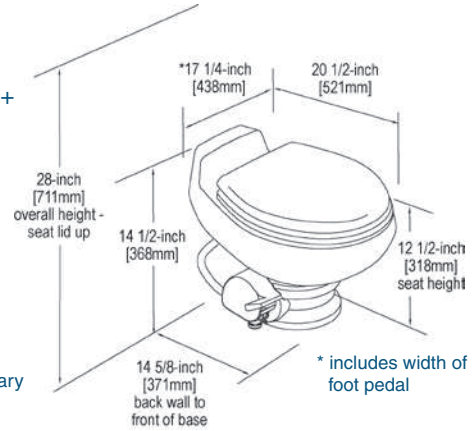
** Weights may vary ± 2-3 percent.

Dimensions

509+, 547+, 548+



506+



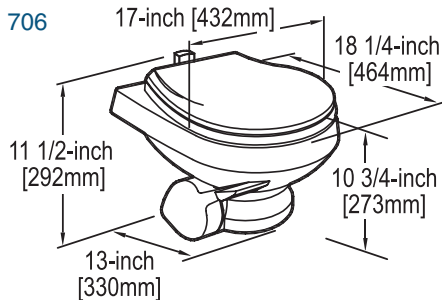
All dimensions may vary ± 0.375 in. (10 mm)

Model 706 Technical Specifications

MODEL	DESCRIPTION	DISCHARGE	WEIGHT*
706	Low-profile pedal-flush VacuFlush toilet	through the floor	27 lbs./12.2 kg

Available in white or bone color.
 * Weight may vary ± 2-3 percent.
 Specifications subject to change without notice.

Dimensions



All dimensions may vary ± 0.375 in. (10 mm)

500 Plus Series and Model 706 VacuFlush System Requirements

ELECTRICAL	Vacuum pump* draw	6 amps/12 V DC; 3 amps/24 V DC
	Vacuum pump* circuit breaker/fuse	10 amps/12 V DC; 5 amps/24 V DC
WATER SUPPLY	ID	0.5 in. NPT fitting
	Flow rate	2.0 gpm/7.6 lpm at toilet, minimum
DISCHARGE	ID	1.5 in./38 mm ID plumbing
	Horizontal run**	50 ft./15 m maximum to vacuum source
	Vertical run**	6 ft./1.8 m maximum to vacuum source
REQUIRED COMPONENT	Vacuum source †	VacuFlush vacuum generator, vacuum holding tank, or holding tank system

* Required for J and S series VacuFlush vacuum generators.

** Based on J and S series VacuFlush vacuum generator specifications. Where applicable, see VHT series vacuum holding tank manual for other installation specifications.

† Purchased separately.

Specifications subject to change without notice.



140 Series VacuFlush® Toilets

Compact size for small head compartments



Model 149
VacuFlush Toilet

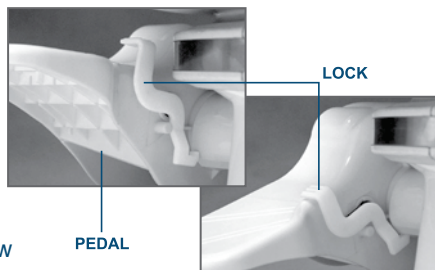
140 series VacuFlush® toilets meet the special demands of sailboats and smaller motor yachts without sacrificing the high-powered performance of larger VacuFlush toilets.

Medium-profile 140 toilet models provide a comfortable seat height when installed on raised platforms. Dimensions and plumbing configurations make the 140 series an instant replacement for older manual marine toilets, providing much easier and sanitary flushing performance.

Clean, odor-free performance results from freshwater flushing, instantaneous evacuation of bowl contents, and thorough rinsing action. Using only 0.10 gal. (0.39 liter) per flush, 140 series VacuFlush toilets greatly extend the use of a holding tank between pump-outs as compared to manual and other electric toilets which consume three or four times more water. A vacuum breaker provides anti-siphon protection for freshwater systems. All models are available in sparkling white and bone colors.

Pedal Lock

140 series VacuFlush® toilets include a pedal lock. When installed in a toilet system with a VHT 12, VHT 4500, or VHT 5200 vacuum holding tank, the pedal lock holds the flush ball open to allow positive air pressure into the holding tank during pump-out. This helps assure thorough discharge of the holding tank.



Key Benefits

- Powerful vacuum flush; foot-pedal activated
- Small footprint – fits in most any head compartment
- Ultra low water consumption – only 0.10 gal. (0.39 liter) per flush
- Premium-strength wood seat
- Pedal lock keeps flush ball open for thorough holding tank pump-out or other toilet system service
- Atmospheric vacuum breaker protects freshwater supply from backflow
- Four discharge options – through-the-floor; or above-the-floor left-side, right-side or back
- For 12 V DC or 24 V DC VacuFlush systems (connects to vacuum generator, VHT, or holding tank system)

140 Series Technical Specifications

MODEL	DESCRIPTION	DISCHARGE	WEIGHT**
146	Medium-height VacuFlush toilet	through the floor*	27 lbs./12.2 kg
147	Medium-height VacuFlush toilet	above the floor, right	27 lbs./12.2 kg
148	Medium-height VacuFlush toilet	above the floor, rear	27 lbs./12.2 kg
149	Medium-height VacuFlush toilet	above the floor, left	27 lbs./12.2 kg

* Hose or pipe discharge connection. All others use hose only.
 ** Weights may vary ± 2-3 percent.
 All models are available in white or bone color.
 Specifications subject to change without notice.

140 Series VacuFlush System Requirements

ELECTRICAL	Vacuum pump* draw	6 amps/12 V DC; 3 amps/24 V DC)
	Vacuum pump* circuit breaker/fuse	10 amps/12 V DC; 5 amps/24 V DC)
WATER SUPPLY	ID	0.5 in. NPT fitting
	Flow rate	2.0 gpm/7.6 lpm at toilet, minimum
DISCHARGE	ID	1.5 in./38 mm ID plumbing
	Horizontal run**	50 ft./15 m maximum to vacuum source
	Vertical run**	6 ft./1.8 m maximum to vacuum source
REQUIRED COMPONENT	Vacuum source †	VacuFlush vacuum generator, vacuum holding tank, or holding tank system

* Required for J and S series VacuFlush vacuum generators.
 ** Based on J and S series VacuFlush vacuum generator specifications. Where applicable, see VHT series vacuum holding tank manual for other installation specifications.
 † Purchased separately.
 Specifications subject to change without notice.



Model 148
 VacuFlush Toilet

Dimensions

