



# AAI-HD3

2003-2012 Acura / Honda Auxiliary Input Adapter

## Installation Instructions

### Vehicle Applications

#### ACURA

MDX*	2005-2006
RSX*	2004-2006
TL	2004-2009
TSX*	2004-2009

\*Not compatible if vehicle is equipped with AcuraLink.

\*\*Radio must have the white 14-pin CDC/SAT data port to be compatible.

#### HONDA

Accord	2003-2012
Accord Crosstour	2010-2012
Civic / Hybrid	2006-2012
CR-V	2005-2012
Element**	2003-2011
Fit	2007-2012
Insight	2009-2012
Odyssey	2005-2010
Pilot	2004-2011
Ridgeline	2006-2012
S2000	2004-2009

#### NOTES:

- If the AAI-HD3 is configured to work in SAT mode, the factory satellite tuner will be replaced.
- In Honda vehicles, if used in CD changer mode and the vehicle already has an external CD changer, the AUX input will show as "CD2". In this application, the AUX button is normally used to access CD2.

### Before You Start

Before any connections are made, PAC strongly recommends that all circuits be verified with a voltmeter before interfacing with them. Always set the parking brake before working on any vehicle.

### General Overview

The AAI-HD3 converts the 14-pin satellite or CD changer port of the OEM Acura / Honda radio to RCA level audio input. The AAI-HD3 can be configured (with internal DIP switch settings) to work in either satellite or CD changer mode, depending on what the radio's capabilities are, and what options the vehicle is equipped with.

### Install It Right with AAI-HD3

DO NOT force connectors together as pin damage may occur. This installation will be flawless if you take your time making the connections described below. Following the installation sequence below is critical to ensure proper recognition of the auxiliary device by the factory radio.

### Installation Instructions

1. Disconnect the negative battery terminal. (Some Acura/Honda radios are code protected. Verify that the code is available before disconnecting battery.)
2. Remove the Honda radio to gain access to the radio's 14-pin data port.
3. Remove the harness that may be plugged into this port.
4. Connect the MALE end of the AAI-HD3 vehicle harness to the radio's 14-pin DATA port.
5. Connect the FEMALE end of the AAI-HD3 vehicle harness to any harness that was previously plugged into this port.

*NOTE: If the external CD changer or satellite tuner is easier to access than the back of the radio, the AAI-HD3 can also be connected at either of these locations.*

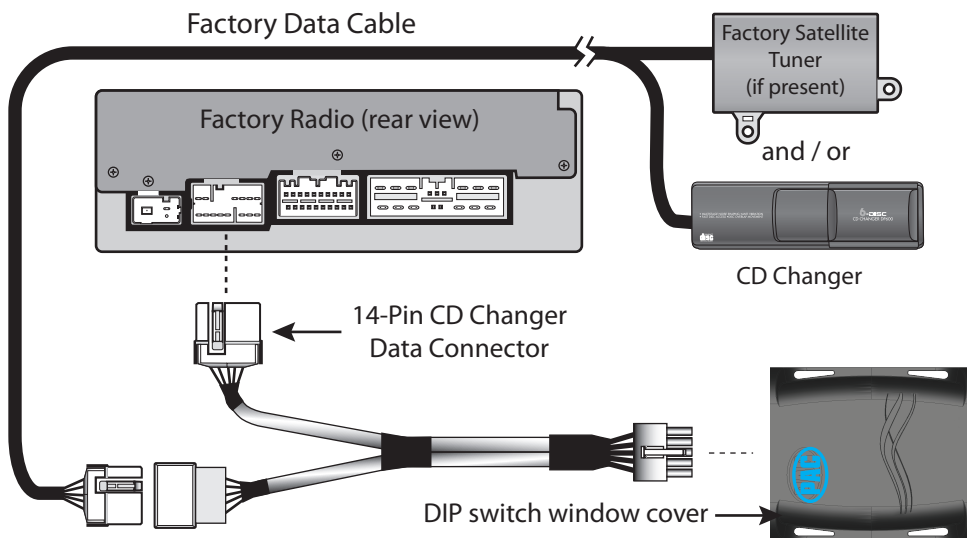
6. Open the AAI-HD3 case DIP switch window cover and configure the DIP switches for your specific application (see diagrams on back).
7. Once the AAI-HD3 module's DIP switches have been configured and the DIP switch window cover closed, connect the male 10-pin Molex connector of the AAI-HD3 vehicle harness to the module.
8. Connect an appropriate length patch cord or other cable (not included) between the AAI-HD3 and auxiliary device.
9. Re-install factory radio.
10. Reconnect the negative battery terminal.

### Verify Operations

1. With radio on, activate auxiliary device.
2. Set volume on auxiliary device to preferred listening level.
3. Push the appropriate (i.e. CD/AUX, XM/AUX, etc.) button on radio to access CD changer or XM mode.
4. Display on radio will show "CD1 TR 1" (CD emulation and no CD changer present), "CD2" (CD emulation and CD changer is already present) or channel "001" (SAT emulation).
5. Verify that audio of auxiliary device is heard.

# Installation Diagram

## CD EMULATION MODE



SET DIP SWITCHES TO:

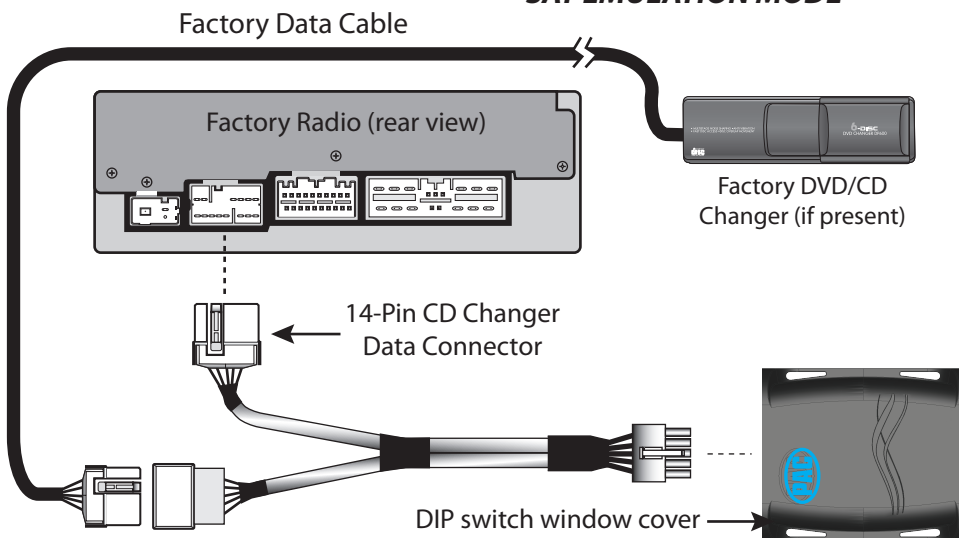
1	2	3	4
↓	↑	↑	↑

Use "CD/AUX", "XM/AUX", or "DVD/AUX" button to access AUX Mode

**AAI-HD3 will show on radio as "CD 1 TR 1" or "CD2" (if CD changer is already present)**

Plug in Auxiliary Device into RCA Connectors

## SAT EMULATION MODE



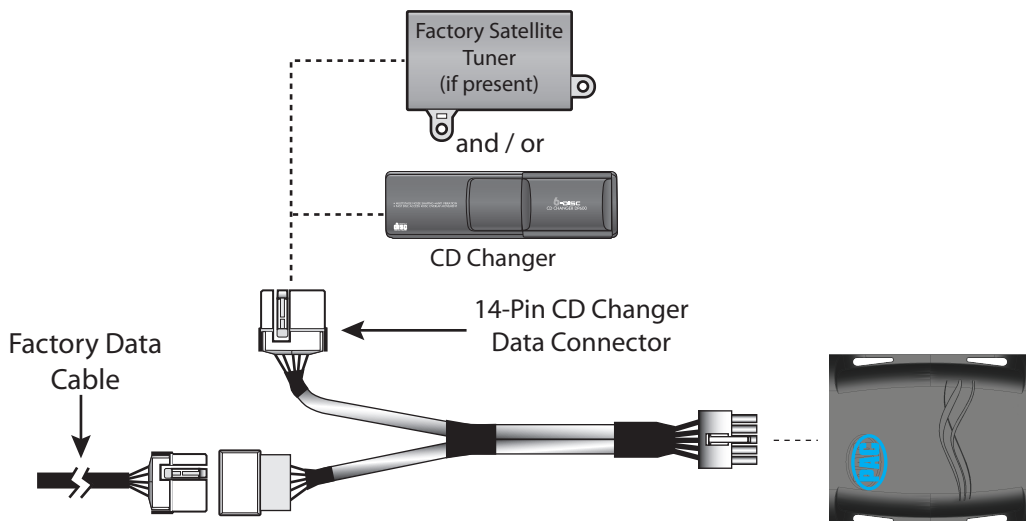
SET DIP SWITCHES TO:

1	2	3	4
↓	↑	↑	↓

Use "XM", "XM/AUX", or "AUX" button to access AUX Mode

Plug in Auxiliary Device into RCA Connectors

## CONNECTION AT XM TUNER / CD CHANGER LOCATION



Plug in Auxiliary Device into RCA Connectors

**Pacific Accessory Corporation**

Santa Ana, CA 92705

techsupport@pac-audio.com • www.pac-audio.com

Copyright 2013 Pacific Accessory Corporation. Content subject to change without notice.