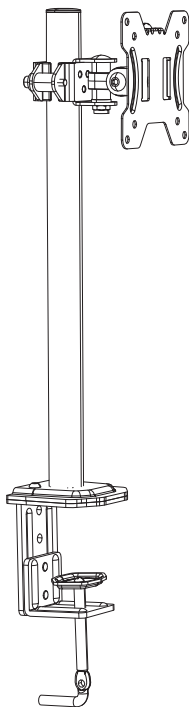




Monitor Desk Mount Instruction Manual

V3.0



Model:EGCM12

Thank you for choosing this Ergear product! At Ergear we strive to provide you with the best quality products and services in the industry. Should you have any issues, please don't hesitate to contact at support@ergear.com (US/CA/DE/UK/FR/IT/ES/AU)

IMPORTANT SAFETY INFORMATION

- Check package contents against Supplied Parts and Hardware List to assure that all components were received undamaged. Do not use damaged or defective parts. If you require replacement parts, contact customer service at support@ergear.com
- Not all parts and hardware included will be used.
- Carefully read all instructions before attempting installation. If you do not understand the instructions or have any concerns or questions, please contact customer service at support@ergear.com
- This product may contain moving parts. Use with caution.
- Do not use this product for any purpose that is not explicitly specified in this manual. Do not exceed weight capacity. We cannot be liable for damage or injury caused by improper mounting, incorrect assembly or inappropriate use.

Tools Needed (Not Included)



Phillips Screwdriver

Supplied Parts and Hardware



M4X12MM
A1(4PCS)



M4X16MM
A2(4PCS)



L5mm
B (4PCS)



M10
C1(1PC)



M10
C2(1PC)



M6X12MM
C3(1PC)



M8X10MM
D(2PCS)



M6X8MM
E(2PCS)



M6X16MM
F (1PC)



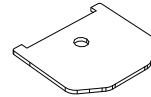
Large Allen Key
F1(1PC)



Small Allen Key
F2(1PC)



a(1PC)



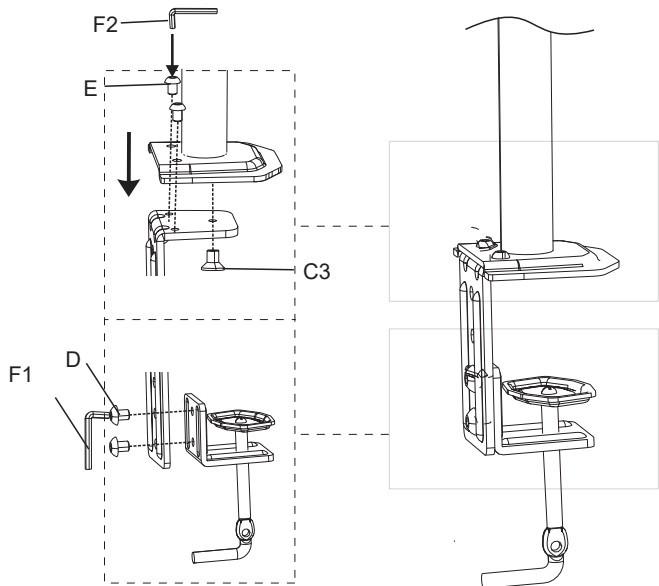
b(1PC)

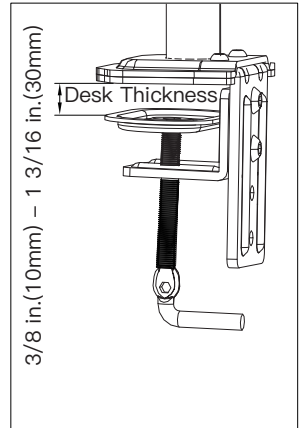
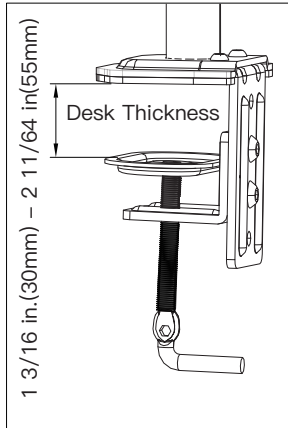
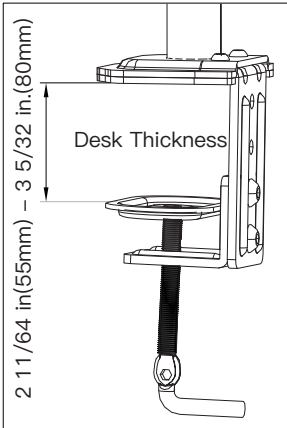
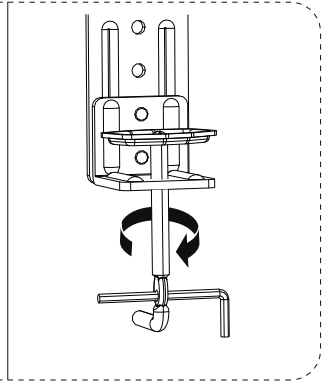
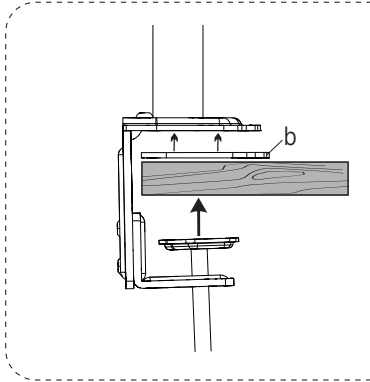
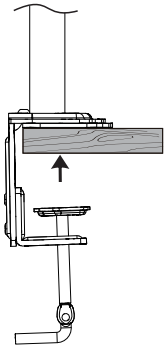


c(1PC)

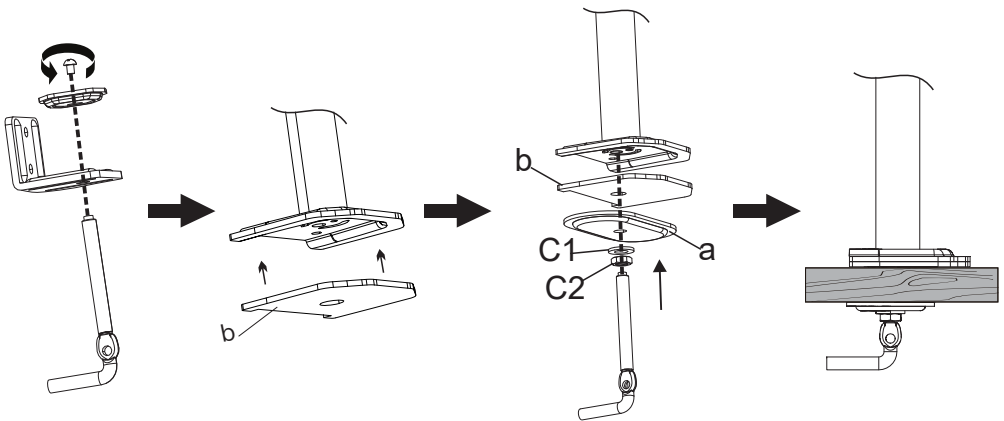
STEP 1 Install the Base

Option A:
C-Clamp Installation

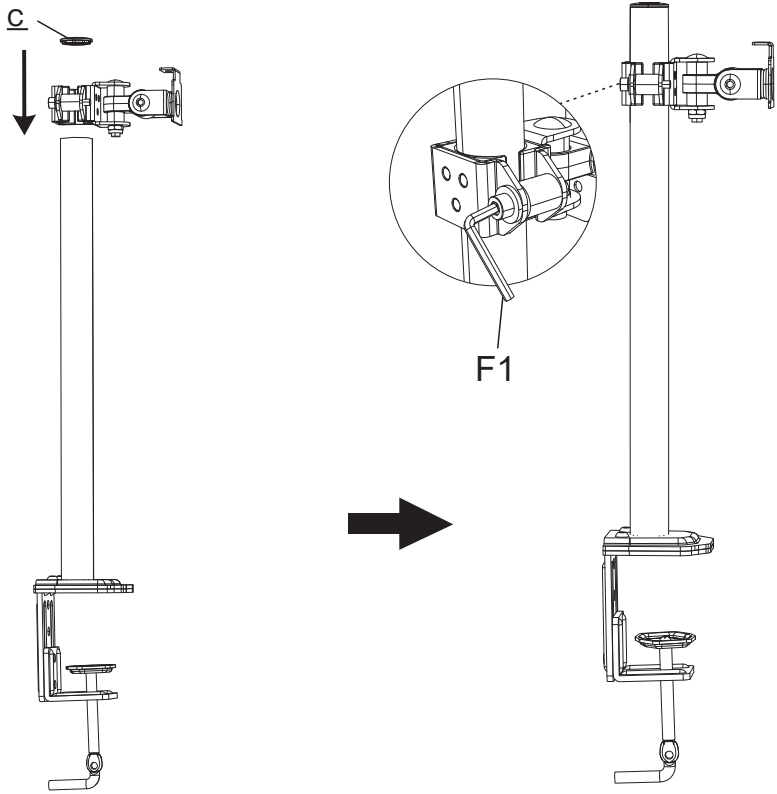




Option B: Grommet Installation

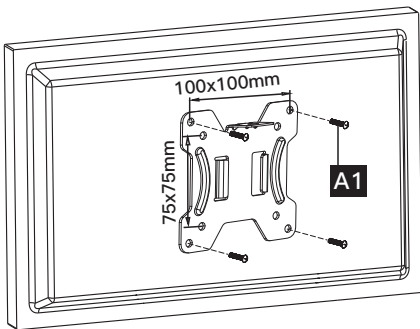


STEP 2 Secure Monitor Connector to Pole Assembly

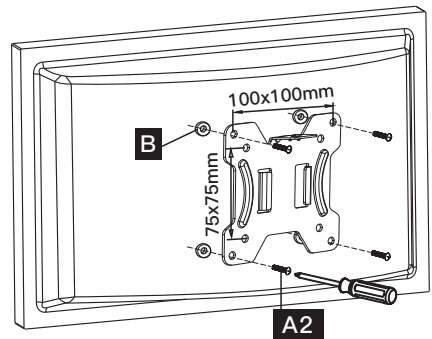


STEP 3 Attach VESA Plate to the Back of Monitor

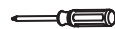
Flat back monitor



Round back monitor

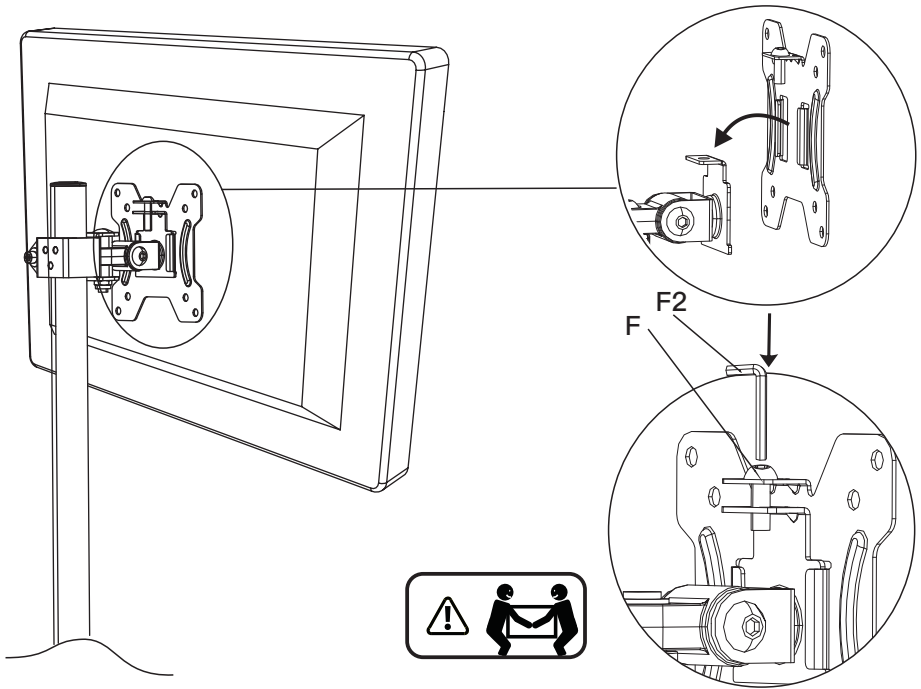


100x100mm=3 15/16x3 15/16in.
75x75mm=2 61/64x2 61/64in.

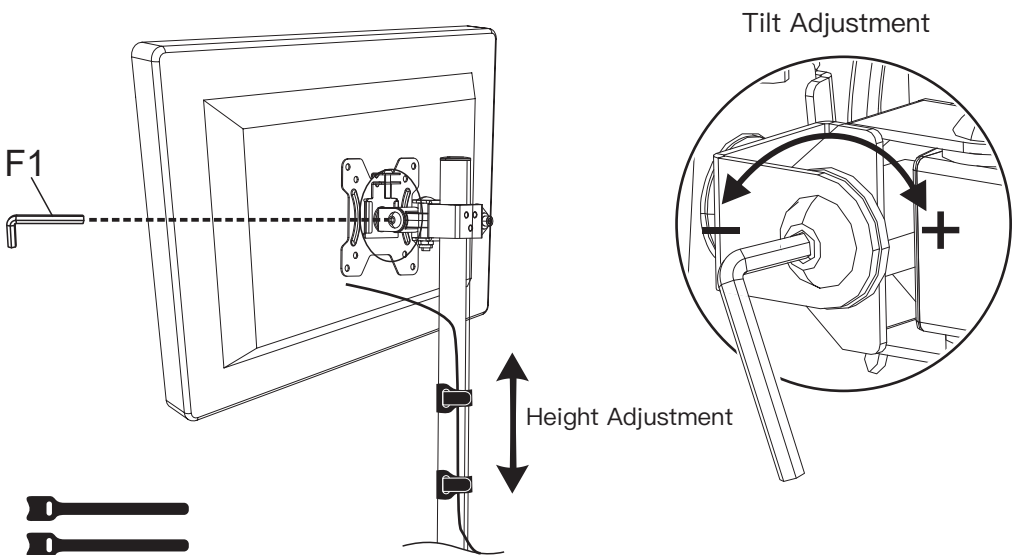


Phillips
Screwdriver
(Not Included)

STEP 4 Hang the Monitor to the Monitor Connector

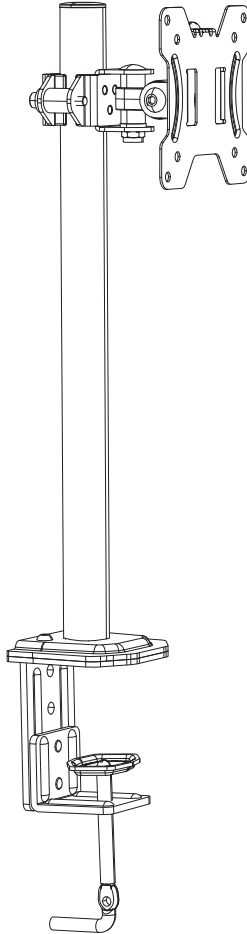


STEP 5 Adjust the Tilt Angle and Manage the Cables



Thank you again

for choosing this Ergear product!



All of us at Ergear do appreciate your product purchase. We hope that you are as happy with your product as we are designing and manufacturing it for you. We strive to provide you with the best quality products and services in the industry. If you have any questions please don't hesitate to contact us at support@ergear.com (US/CA/DE/UK/FR/IT/ES/AU)