

AUTOMATIC CONICAL BURR COFFEE GRINDER INSTRUCTION MANUAL



In order to use this product safely and pleasantly, please read the instructions carefully before using it.

DISTRIBUTED BY
ZHUHAI DENGXIONG KUAJINGDIANSHANG YOUXIANGONGSI
ZHUHAI, GUANGDONG, CN, 519000
FACEBOOK -SBOLY APPLIANCE
WEBSITE -WWW.SBOLY-WORLD.COM
CONTACT -SUPPORT@SBOLY-WORLD.COM

Table Of Contents

- Important Safeguards 1
- Designs 3
- Before The First Use 4
- How to Use 5
- Number of Grinding Cups and Relative Time 8
- Trouble Shooting & Cleaning and Maintenance 9
- Recycling & After Sales Service & Service Guarantee 10
- Warranty & Non-Warranty Aspects 11

Brief Introduction:

The coffee bean grinder can adjust the grinding thickness and release the coffee powder automatically. You will experience all the aroma of the coffee beans! Just select the degree of grinding thickness and the number of cups, press the button, the coffee grinder will grind the coffee in the correct amount and shuts down automatically. Experience the freshest and most delicious coffee with the coffee grinder now!

Important Safeguards:

This appliance is for HOUSEHOLD USE ONLY.

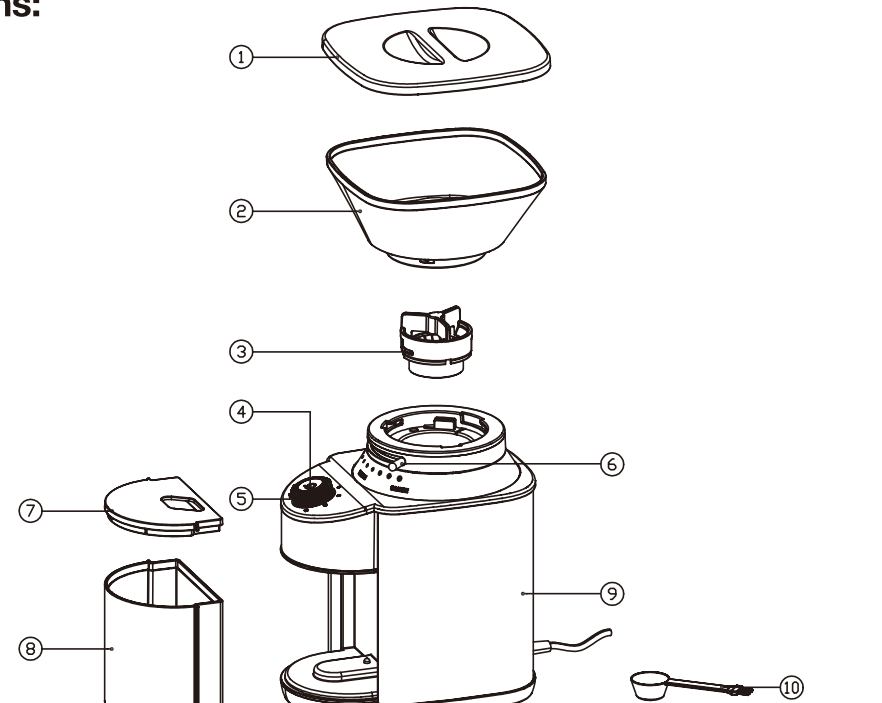
When using an electrical appliance, basic safety precautions should always be taken, including the following:

1. READ ALL INSTRUCTIONS BEFORE USE.
2. Before use check that the voltage of wall outlet correspond to the one shown on the rating plate.
3. Do not operate any appliance with a damaged cord or plug or after the appliance malfunctions, or is dropped or damaged in any manner. Return appliance to the nearest authorized service facility for examination, repair or electrical or mechanical adjustment.
4. If the supply cord is damaged it must be replaced by the manufacturer or a authorized agent or a qualified technician in order to avoid a hazard.
5. Unplug from outlet when not in use, before putting on or taking off parts, and before cleaning.

6. Do not let cord hang over edge of table or hot surface.
7. Do not immerse the motorized base in liquid, or place in dishwasher. Damage to the unit will occur if submerged in liquid or filling the liquid into the container. Only the top cover may be immersed.
8. Close supervision is necessary when your appliance is being used near children or infirm persons.
9. Ensure fingers are kept well away from moving parts.
10. Do not remove cover until blade has completely stopped.
11. Do not attempt operation without the cover being in place.
12. The use of accessory not recommended by the manufacturer may cause injuries to persons.
13. Check grinding chamber for presence of foreign objects before using.
14. This appliance is not intended for used by persons (including children) with reduced physical, sensory or mental capabilities, or lack of experience and knowledge, unless they have been given supervision or instruction concerning use of the appliances by a person responsible for their safety.
15. Children should be supervised to ensure that they do not play with the appliance.
16. Do not operate the appliance for other than its intended use.
17. Do not use outdoors.

SAVE THESE INSTRUCTIONS

Designs:



- ① Coffee Bean Hopper Lid
- ② Coffee Bean Hopper (Carry the coffee beans, 200g for maximum)
- ③ Upper Blade Components (Removable Upper Conical Burr)
- ④ Button (Start/Stop Button for Coffee Bean Grinder)
- ⑤ Rotation (Adjust the number of cup coffee)
- ⑥ Control Dial (There are 19 modes to finely adjust the grinding thickness, the smaller dot the control dial meets, the thinner the coffee powder will release, vice versa)
- ⑦ Coffee Powder Container Lid
- ⑧ Coffee Powder Container
- ⑨ Coffee Grinder Body
- ⑩ Spoon (1 table spoon can load around 7g coffee beans or ground coffee powder, cleaning assistant)

Operations:

Before First Use:

- After transportation or low-temperature storage, store it at room temperature for at least 3 hours before starting it up.
- Remove the coffee grinder from the packing box carefully, take good care of the packing box, and then install the product according to the instruction manual.
- Clean all removable parts (①、②、⑦、⑧、⑩) with warm water and neutral lotion and dry them thoroughly.

- Clean the Coffee Grinder Body (⑨) and Upper Blade Components (③) with a soft, wet cloth and dry them thoroughly
- It is very sharp and must be used carefully to avoid cuts.

Cautious:

- Do not put the upper grinding wheel (③) into water or other liquid.
- Do not put parts of the grinder in the dishwasher.
- Clean the parts in direct contact with the food in the first step, and ensure the power is disconnected during cleaning.
- After using it every time, please refer to "cleaning/maintenance" section below for timely cleaning and maintenance.
- Make sure the coffee container is installed and tightened before using. Do not run it with empty load.

How to Use:

1. Attach the Upper Blade Components (③) into the relative buckles. Rotate it clockwise and lock it on the main body of the grinder. Please refer to Fig. 1.

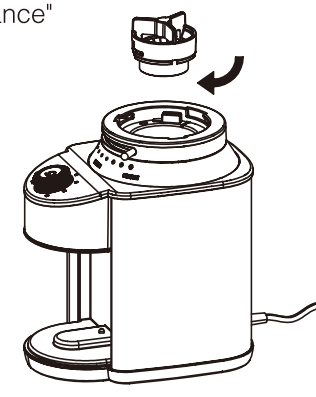


Fig. 1.

2. Install the Coffee Powder Container Lid (⑦) into the Coffee Powder Container (⑧), then install the Coffee Powder Container into the relative position of the Coffee Grinder Body, refer to Fig. 2, until there is a "click" sound appears to prove that the installation is complete in the correct place.
3. Attach the Coffee Bean Hopper (②) to the main body of the Grinder by turning it clockwise in the relative position. Put the coffee bean into it (maximum 200 grams), and cover the Coffee Bean Hopper Lid (①).

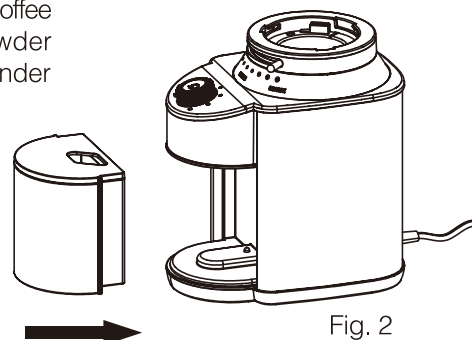


Fig. 2

Notes:

- a. The coffee grinder will not work properly if the coffee bean hopper is not install in the correct place of the main body.
 - b. Warm Tips: The coffee bean hopper can only install in one position of the main body correctly.
4. Power on:
- When plugging the plug into a power outlet:
If the button point stays in the 0 cup scale, the indicator ring will flash for 5 times
If the button point stays in 2 to 12 cups, the indicator ring will flash for 3 times

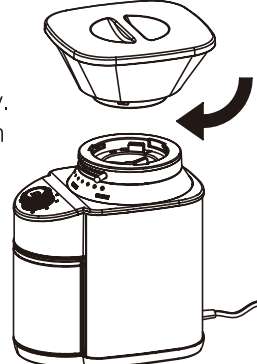


Fig. 3

- Use the Control Dial () to set the grinding thickness by the indicating dots under the Coffee Bean Hopper. Please refer to (Fig. 4).

Notes:

- a. For Filtering / French coffee, please choose the coarse grinding mode; for coffee brewing, please choose the medium grinding mode; for espresso, please choose fine grinding.
 - b. The coffee grinder can only grind complete coffee beans.
- When you turn the Rotation (⑤), the light ring will flash for 3 times to indicate the setting of amount for the coffee powder you prefer.
 - Press the button (④) again to start the grinding process automatically.
 - Remove the Coffee Powder Container (⑧), take out the Powder Container Lid (⑦), and use the spoon (⑩) to pour out the coffee powder. You can start the process of making coffee!

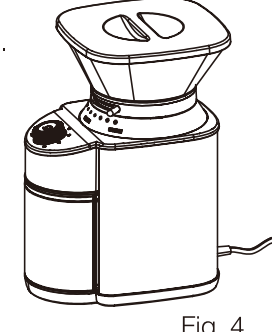


Fig. 4

Notes:

- If the coffee beans can not reach the grinding section during the operation, it is recommended to stop it first, and then restart it after using the spoon to stir the grinding section.
- The coffee bean grinder is including a a running program which can be automatically turned off.
- During the operation, if the coffee bean hopper is empty, or you need

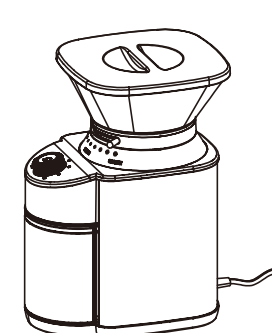


Fig. 5

- to stop the coffee grinder immediately, press the button (④) again.
- Please empty/clean all parts of the machine after every grinding operation.
- To prevent the deterioration of the taste of coffee powder, please store the fresh grinding coffee powder to a sealed can or in a vacuum package.

Number of Grinding Cups and Relative Time:

Number of Grinding Cups	Grinding Time
2	7-8 seconds
4	11-12 seconds
6	19-20 seconds
8	23-24 seconds
10	27-28 seconds
12	29-30 seconds

Specifications:

Working Power: 120W Frequency: 60Hz Input Power: 200W

Trouble Shooting:

Problem	Possible Cause	Solution
The grinder can not work.	Whether the power supply voltage matches the voltage marked by the product.	Select the supplying power which matches the voltage supply.
Unpleasant smell appears in the first use.	The motor needs to be run-in (the coil protection layer needs to be heated).	This is a normal phenomenon if the voltage is in compliance with the product.
The shell of the product is hot.	Excessive processing or large processing in a short time	It is recommended to follow the manual instructions and use in the spare time.

Cleaning and maintenance:

- The removable accessories must be cleaned immediately after every usage. To clean it, please follow the below operations:
1. Turn off the power and empty the coffee beans in the Coffee Bean Hopper before cleaning.
 2. Unscrew the Coffee Bean Hopper and the Upper Blade Components by turning them counterclockwise, and take out the Coffee Powder Container in the opposite direction of Coffee Grinder Body.
 3. The Upper Blade Components and the Lower Blade Components inside the main body of the

- Grinder can only be cleaned with a brush; the appearance of the main body can be wiped with a damp cloth, and the other parts can be directly washed with water.
- 4. The parts after rinsing should be thoroughly dried up.
- 5. If it is not in use for a long time, please leave the product in a dry and ventilated place to prevent the main components such as the motor from getting wet and affect normal use of it.

Recycling:

In order to protect the environment, after the expiration of the service life, it shall not be discarded in the same way as domestic garbage; please apply for recycling at a professional recycling center. The waste generated during the process must be forcibly collected and processed in accordance with the prescribed methods.

For further information on the recycling of this product, please apply to your Local Municipality, Processing Service center or the store where you purchased the product. The manufacturer reserves the right to change the design, structure and specifications that do not affect the general principles of operation for the product without prior notice, so there is no significant differences between the manual and the product.

After sales service:

When there is any abnormality or doubt about this product, please contact us by e-mail or our Amazon website.

Please fill in your name, address, contact number, model and product name when you report the problems, tell us that the product is faulty, we will serve you as soon as possible.

Service Guarantee:

This product guarantees the "Repairing", "Returning" and "Replacement". The product

is guaranteed by the seller for one year according to the national regulations. Since the date of purchase, any component is damaged under normal use in one year's time, users can provide the product's warranty card and invoice to contact with us. The after-sales service department will carry out the free maintenance. (This product is for home use only and cannot be used for commercial purposes)

Warranty:

- * The product is damaged under normal use;
- * Damage caused by improper human handling;
- * Hold valid purchase invoice and warranty card;
- * Users are not allowed to disassemble and repair the machine;
- * The warranty period is less than two years.

Non-Warranty Aspects:

- * Improper damages by the user, artificial damages;
- * Not repaired or used by the company's assigned maintenance department;
- * The user installs and disassembles the product and repairs by himself;
- * Product accessories (such as containers) are damaged;
- * Non-family use;
- * Excess the warranty period;
- * No valid invoice;
- * Damage caused by Force Majeure.

Products that are not covered by a warranty are available for a fee-based repair service, and our customer service center is always eager to serve you. Execution standard: ETL / GB / IEC, etc.