

SLOW JUICER

USER MANUAL

WWW.KOIOSSHOP.COM

CUSTOMER SERVICE

Our customer service team is standing by to assist you if you have any questions or concerns.



www.koiosshop.com



support@koiosshop.com



1-855-888-2111



m.me/KOIOSus

CONTENTS

SAFETY PRECAUTIONS	01
PRODUCT OVERVIEW	03
ASSEMBLING GUIDANCE	04
USING THE SLOW JUICER	07
SLOW JUICING TIPS	09
CLEANING	10
FOR TOUGH STAINS	11
TROUBLESHOOTING	12

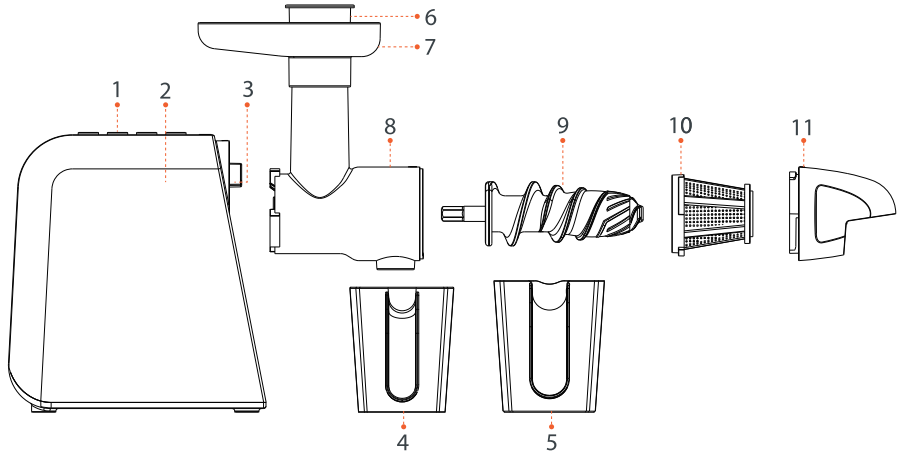
When using electrical appliances, basic safety precautions should always be followed including the following.

1. READ ALL INSTRUCTIONS BEFORE USE.
2. Never immerse the motor unit or supply cord in water nor rinse it under the tap.
3. Unplug from outlet before assembling, disassembling, cleaning, and when not in use.
4. If the supply cord is damaged, it must be replaced by the manufacturer or its service agent in order to avoid hazard.
5. Do not use accessories and components that do not belong to this product to avoid fire or personal injury.
6. This appliance is not intended for use by persons (including children) with reduced physical, sensory or mental capabilities, or lack of experience and knowledge, unless they have been given supervision or instruction concerning use of the appliance by a person responsible for their safety.
7. Make sure all parts are mounted correctly before you switch the appliance on.

02 SAFETY PRECAUTIONS

8. Avoid touching moving parts. Make sure the motor has stopped completely before disassembling.
9. Always place the unit on a dry and stable surface away from hot surfaces and heat-generating appliances.
10. Watch your appliance during use.
11. Do not disassemble the base.
12. Never reach into the feeding tube with your fingers or any other objects while the appliance is operating. Never use your fingers or other objects as the pusher. The pusher is designed to gently push food down the feeder if food becomes stuck.
14. Do not use outdoors. Do not use appliance for anything other than its intended use.
15. Keep the appliance clean. Refer to the Cleaning section in this manual.

PRODUCT OVERVIEW 03



1. Control Panel
2. Main Body
3. Locking Clip
4. Juice Container
5. Pulp Collector
6. Pusher

7. Hopper
8. Drum
9. Auger
10. Juicing Sieve
11. Blank End Cap

04 ASSEMBLING GUIDANCE

1. Insert the auger into the drum until it is fixed well (Figure 1).

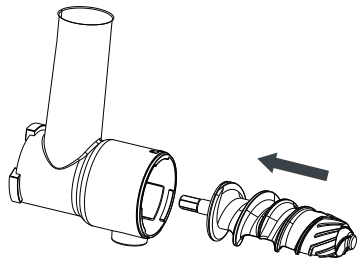


Figure 1

2. Insert the juicing sieve into the drum until it is fixed well (Figure 2).

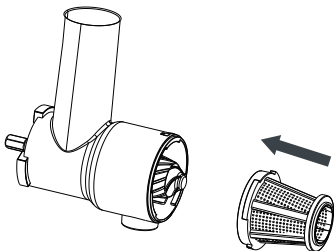


Figure 2

Find the "▲" symbol on the blank end cap, keep it against "☒" symbol depicted on the drum. Rotate the blank end cap counterclockwise until "▲" and "☒" symbols are aligned properly (Figure 3).

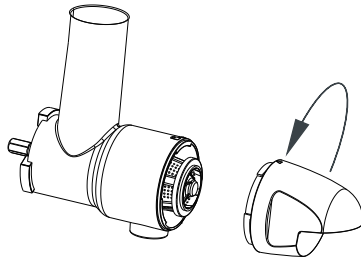


Figure 3

4. Secure the drum assembly onto the base locking clip attaching the drum to the base unit and turning the locking clip counterclockwise (Figure 4).

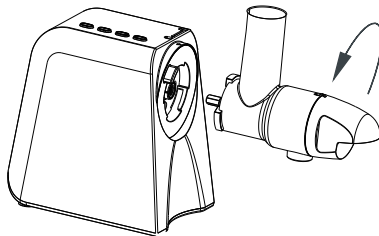


Figure 4

06 ASSEMBLING GUIDANCE

5. Place juice container under the juice spout. Place pulp container under the pulp spout.

6. Affix the hopper to the drum (Figure 5).

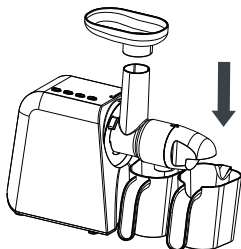


Figure 5

7. In case the food becomes lodged in the chute opening, use food pusher.

USING THE SLOW JUICER 07

1. Once all parts are securely in place, plug the appliance into an appropriate outlet.

2. KOIOS Slow Juicer 3 operating modes.

Reverse – to clear out the clogged food.

Soft – for soft ingredients.

Hard – for hard ingredients.

NOTE: IF YOU'RE NOT SURE WHETHER THE FOOD IS SOFT OR HARD, SET HARD MODE.

MAKE SURE TO PRESS THE "OFF" BUTTON ON THE CONTROL PANEL BEFORE USING THE REVERSE FUNCTION.

4. Wash the ingredients before using the appliance. Put the ingredients in the chute opening, make sure all the ingredients are cut into 3-inch pieces.

Make sure to remove any hard seeds or pits, such as cherry or plum pits, to prevent clogging.

08 USING THE SLOW JUICER

Feed thoroughly cleaned and prepared juicing ingredients into the chute opening at a steady pace. Do not push the ingredients nor overload the chute opening.

DO NOT RUN THE APPLIANCE WITH NO FOOD INSIDE AS IT COULD OVERHEAT OR DAMAGE THE MOTOR.

For best results, follow the below suggestions.

1. Do not place grains, ice or frozen fruit into the juicer.
2. Combine leafy greens with a variety of fruits for the best results.
3. When juicing foods like carrots or beets, it is necessary to combine them with other fruits and vegetables with a higher water content to increase the amount of juice yielded.
4. When juicing foods with a lot of seeds like tomatoes and cucumbers, the Juicing Screen might clog. Pour water through the Hopper to unclog it before continuing to juice.

NOTE:

If the unit jams/clogs or stops operating turn, it off, and switch to reverse (R) for 3-5 seconds. Switch to Soft or Hard mode to continue juicing. Repeat this process if necessary. While operating in reverse the Hopper may come loose. This is normal.

10 CLEANING

1. Turn the unit off, and disconnect it from the power source.
2. Remove the hopper from the unit.
3. While pressing the locking clip (3) button, twist the drum clockwise to the unlock position.
4. Disassemble the entire unit.
5. Use the cleaning brush to clean each part thoroughly after operating.
6. Hand washing is recommended for all components of the upper unit. Detachable parts can be safely cleaned in your dishwasher.
7. Remember to clean juicing screen small fins as small food particles might get stuck on them.

PLEASE NOTE:

- a. Don't use any abrasive cloths or liquids like ammonia or strong household cleaners.
- b. Do not rinse the base or submerge it in water.
- c. Please dry the attachments after cleaning.
- d. Cleaning the unit immediately after each use will help to reduce stains.

FOR TOUGH STAINS 11

Because the carotenoids found in many vegetables have staining properties, the Slow Juicer may develop deep-set stains over time. To remove, soak the components exposed to the pigment in mild soapy water.

12 TROUBLESHOOTING

THE APPLIANCE DOES NOT WORK:

Make sure the power cord is plugged in correctly.

Make sure the drum is assembled correctly. If the drum is not locked into place, the appliance will not operate.

Make sure the appliance is assembled according to the instructions in this manual. Refer to the instructions.

If the appliance still does not work, please contact our customer support service.

THE DRUM DOES NOT OPEN

If there is a lot of pulp inside the drum, press [Reverse] button to release the excess pulp.

Check the appliance for any foreign substance or solid objects including seeds.

Press [R] button to dislodge stuck ingredients.

Do not attempt to open by force. If the drum still does not open, please contact our customer support team.

THE APPLIANCE STOPS OPERATING DURING THE JUICING PROCESS

Whether put too many foods inside? Press “Rev” to make this machine working in the opposite direction. If the appliance still doesn't work, turn off the unit and unplug it, then take the food out, and cut it into small pieces first, then put it inside again repeat the procedure.

FINE LINES OR SCRATCH MARKS AROUND THE AUGER

This is normal. Do not be concerned. These are moulding marks resulting from the normal manufacturing process.

JUIC LEAKS OVER THE BASE

Check for an excessive amount of ingredients in the hopper and /or chute.

If you try to juice a large amount of food compared to the hopper, the components will be forced apart and juice may leak out.

Do not force too much food into the juicer. Push food gradually. Make sure the juice flap is closed.

JUICER IS NOT STABLE WHEN OPERATING

This is normal as the auger rotates. It is not a malfunction. Hard ingredients such as carrots, potato, radish, beets, etc. may cause shaking.

KOIOS

 www.koiosshop.com

 support@koiosshop.com

 1-855-888-2111

 m.me/KOIOSus



Model NO. 9001

Made in China