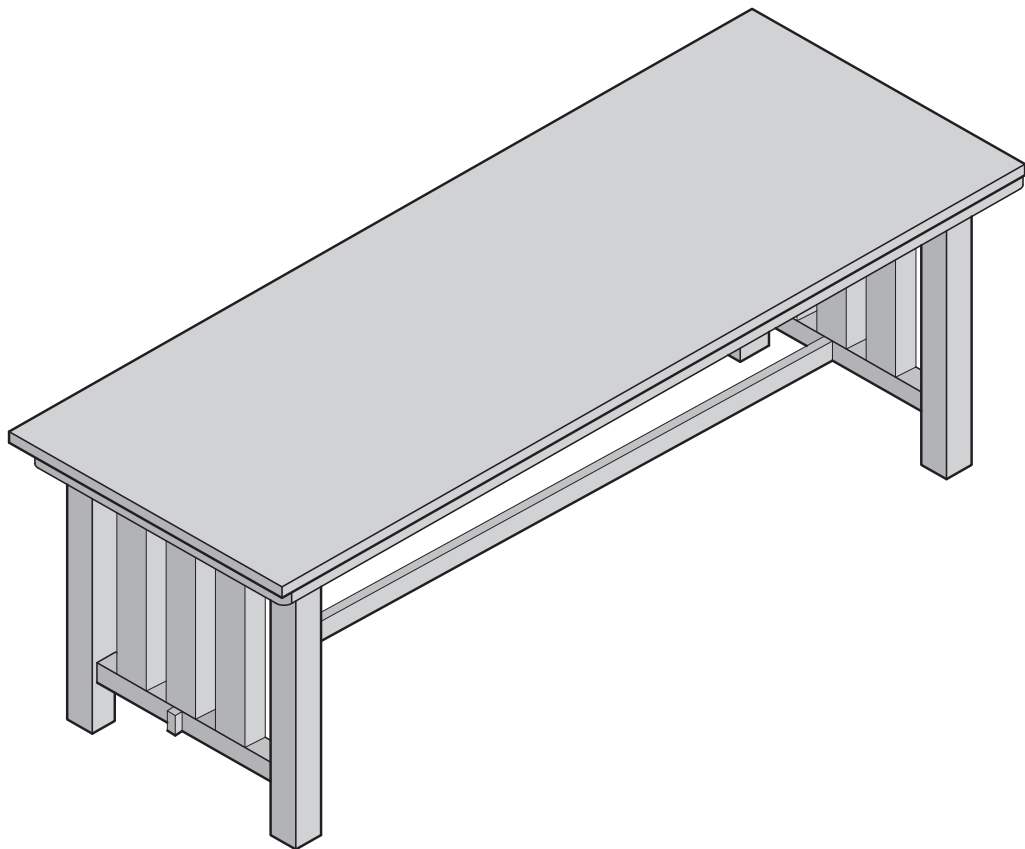


ITEM # : DBM1
Assembly Instructions

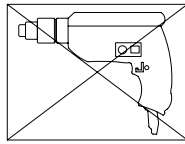


Please visit our website for the most current instructions, assembly tips, report damage, or request parts. www.walkeredison.com

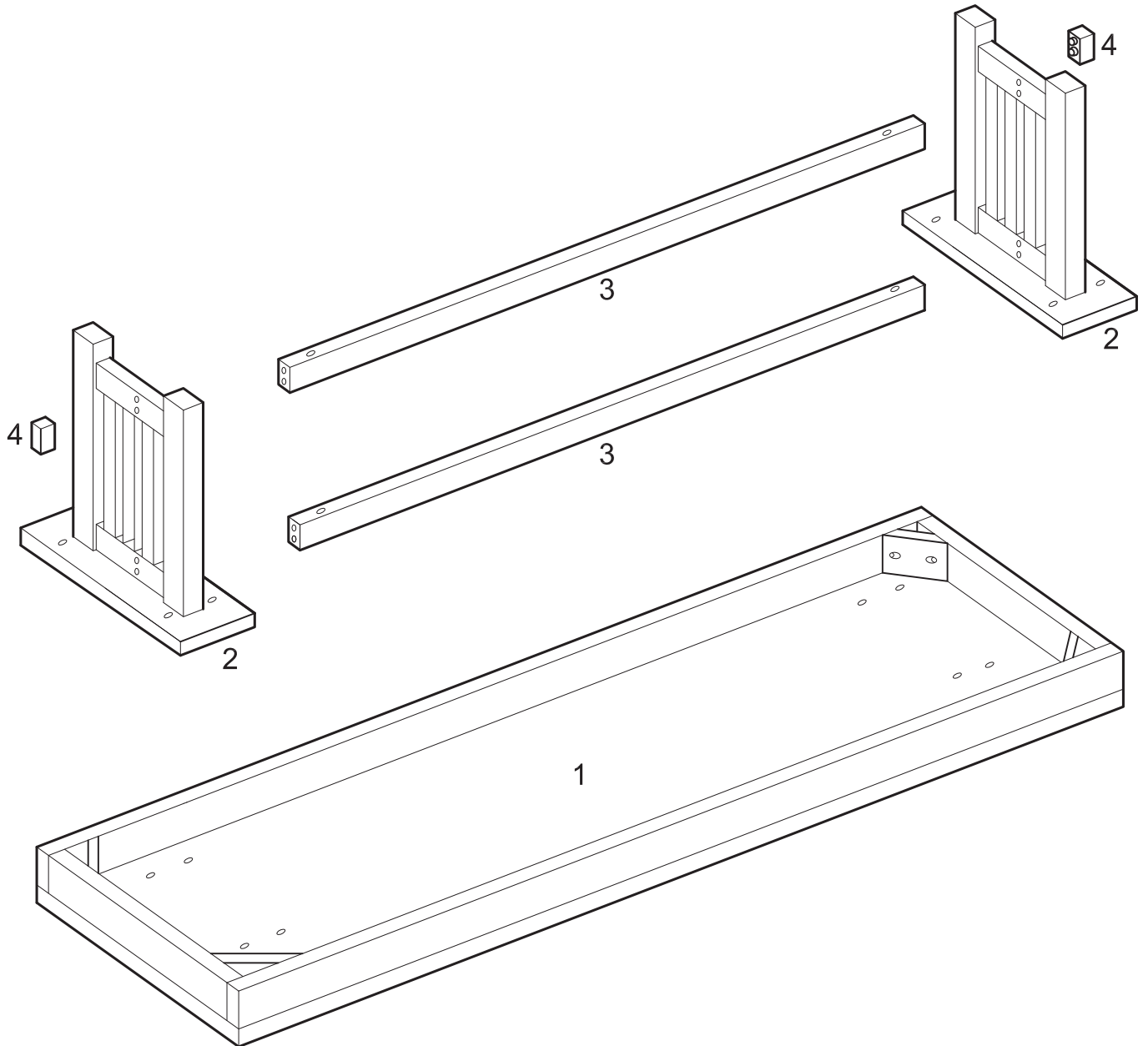
Revised 03/2017

General Assembly Guidelines








- I. Insure that all parts and hardware are available before beginning assembly.
- II. Follow each step carefully to insure the proper assembly of this product.
- III. Two people are recommended for ease in the assembly of this product.
- IV. The main types of hardware used to assemble this product are wood dowels, nuts, bolts and washers.
- V. Power tools should not be used to assemble this product.



Parts List

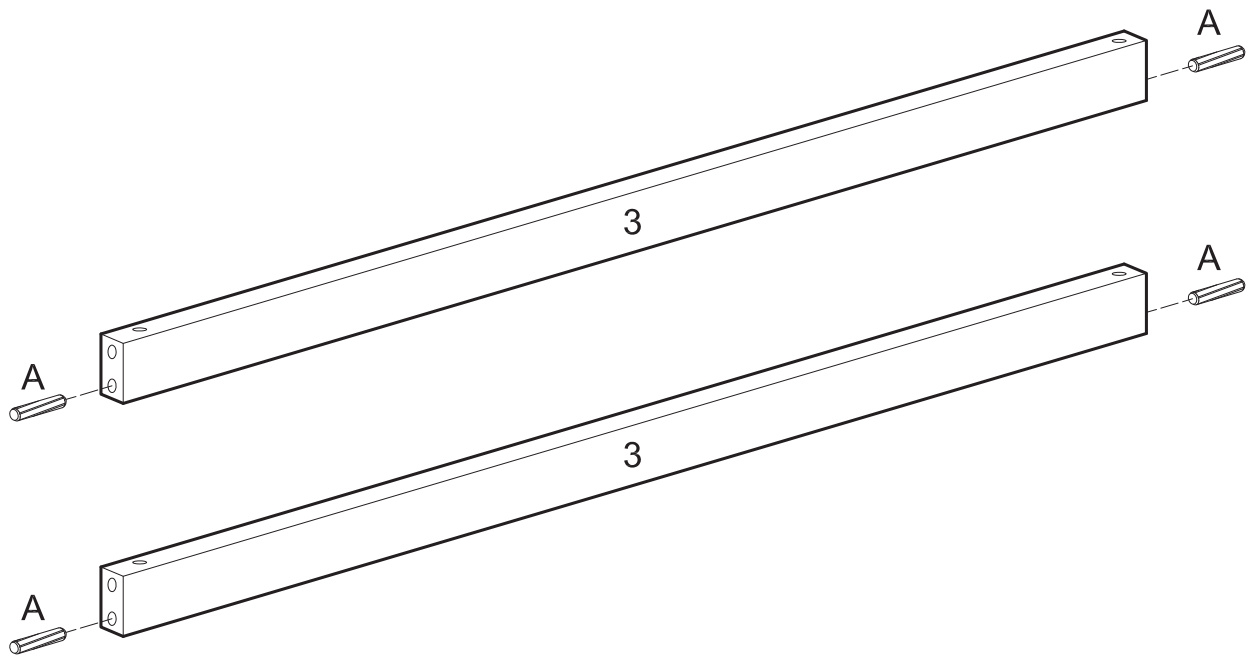


Hardware List

A		M10*35(mm)	Wood dowel	4 pcs
B		M6*60(mm)	Bolt	4 pcs
C			Nut	4 pcs
D		M6*35(mm)	Bolt	8 pcs
E		Ø1/4"	Spring washer	8 pcs
F		Ø1/4"	Washer	8 pcs
G		M4(mm)	Wrench	1 pc

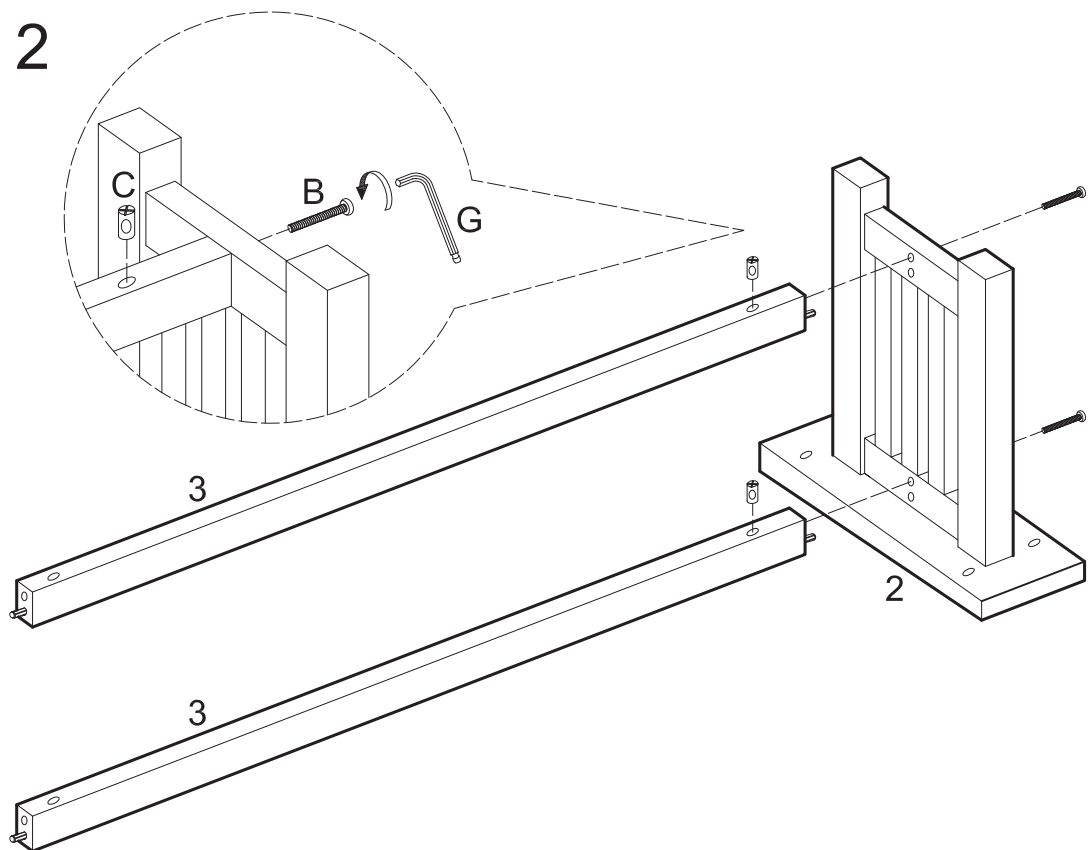
*The hardware quantities listed above are required for proper assembly.
Some extra hardware may also have been included.*

Step 1



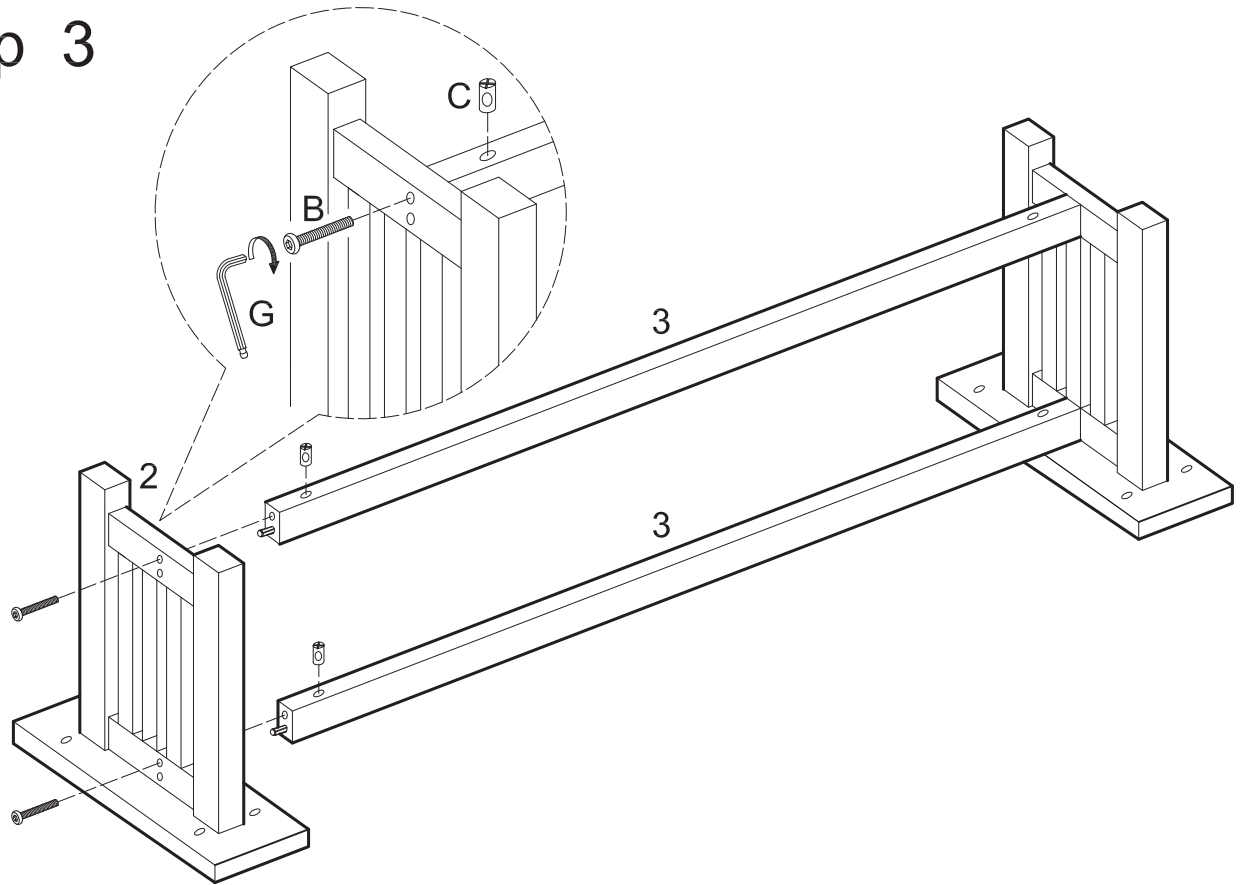
Insert dowels (A) into crossbars (3).

Step 2



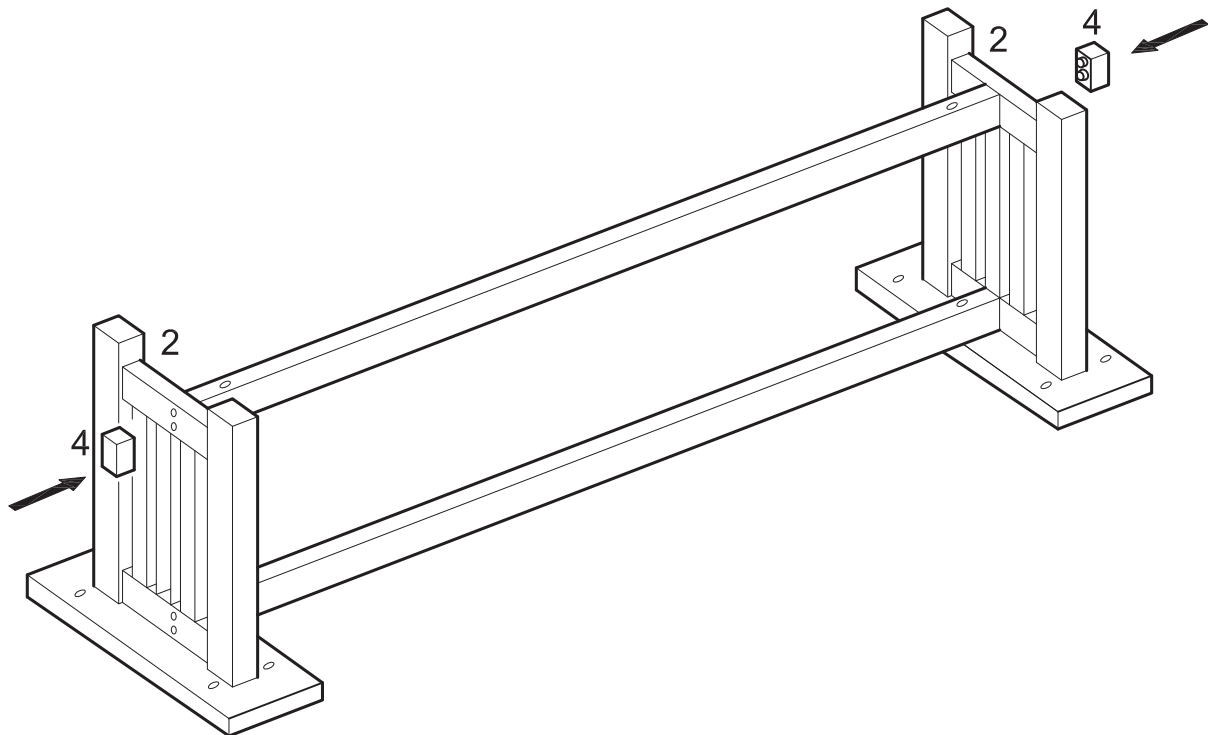
Insert nuts (C) into crossbars (3). Attach crossbars (3) to leg piece (2) using bolts (B). Tighten bolts (B) with wrench (G). Bolts (B) will screw directly into nuts (C).

Step 3



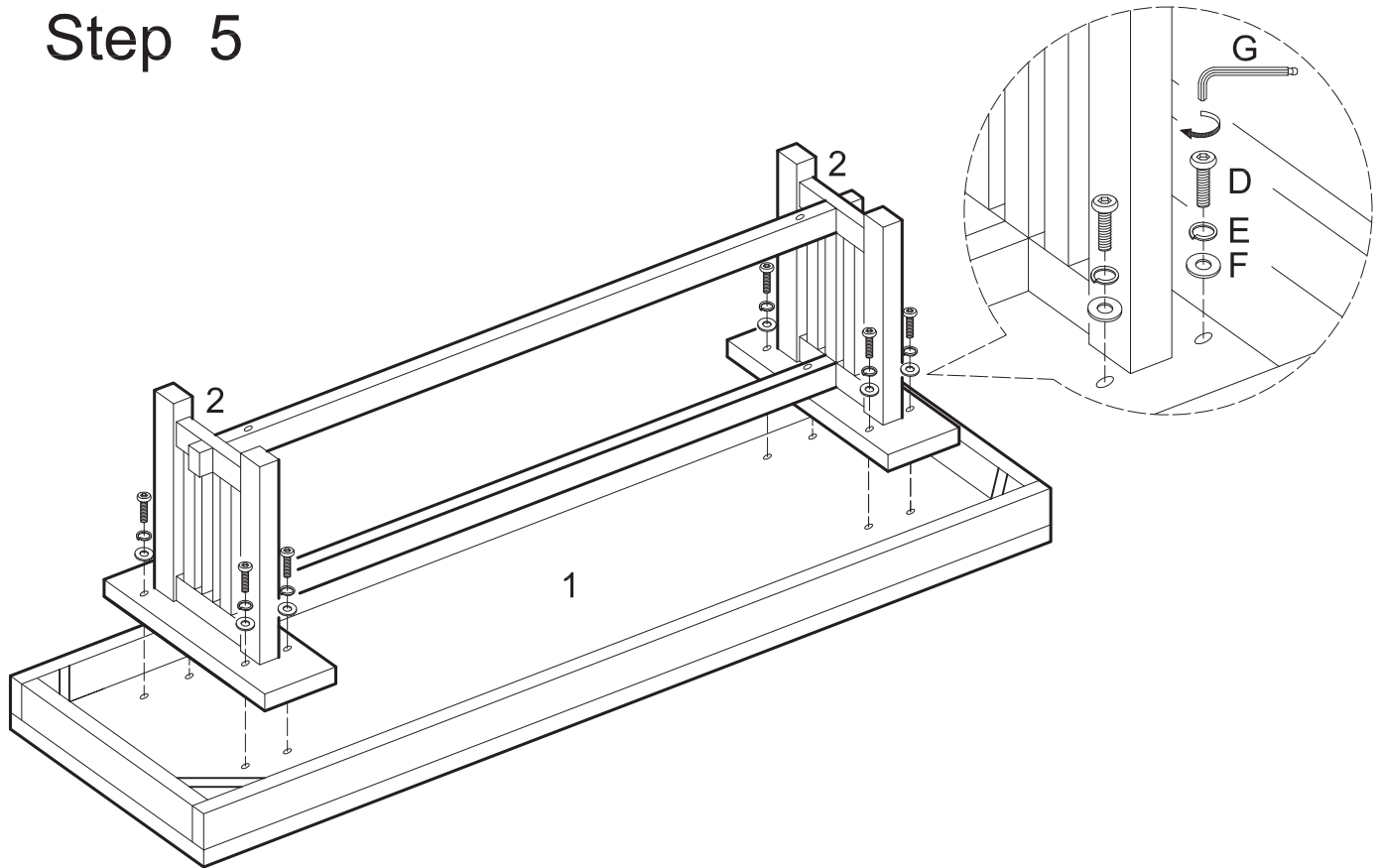
Insert nuts (C) into opposite ends of crossbars (3). Attach crossbars (3) to second leg piece (2) using bolts (B). Tighten bolts (B) with wrench (G). Bolts (B) will screw directly into nuts (C).

Step 4



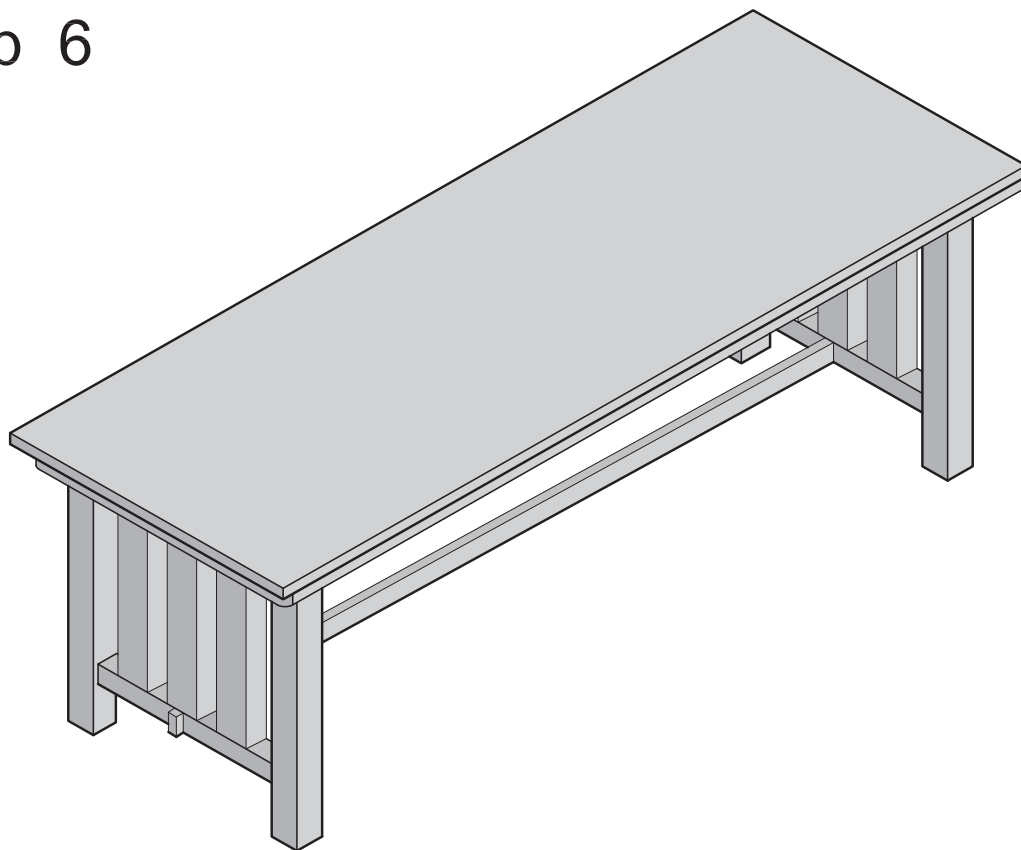
Insert end caps (4) into leg pieces (2) using pre-inserted dowels as guides

Step 5



Attach leg pieces (2) to bench top (1) using bolts (D), spring washers (E) and washers (F). Tighten all bolts (D) with wrench (G).

Step 6



Final Assembly