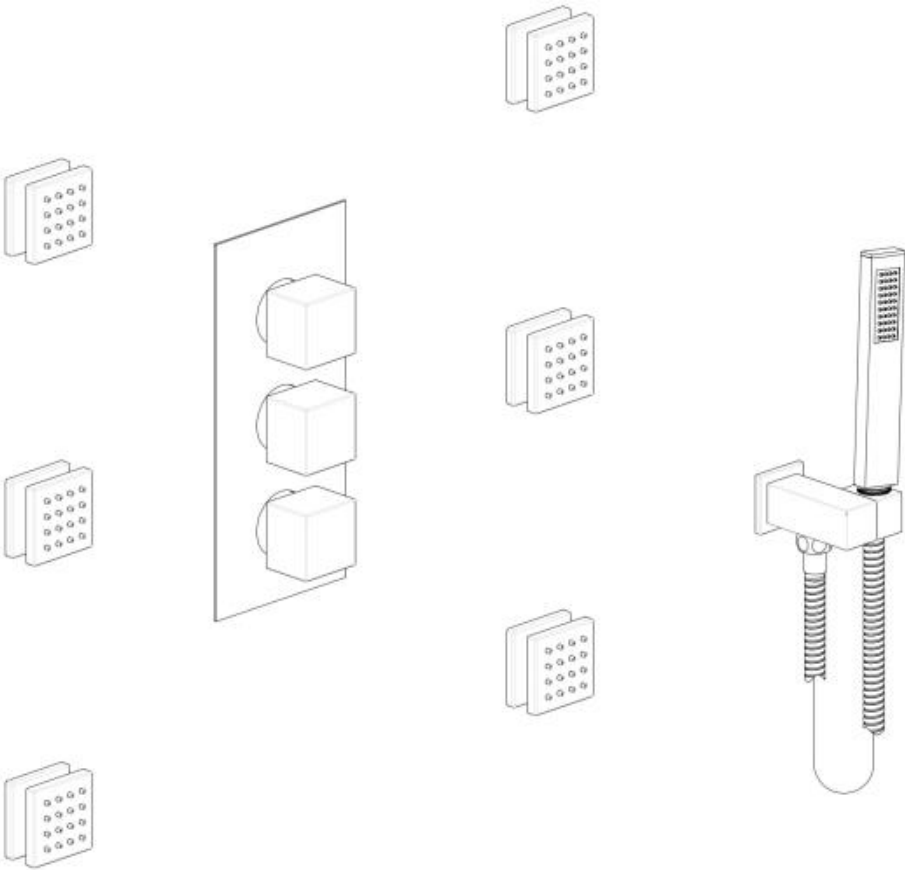
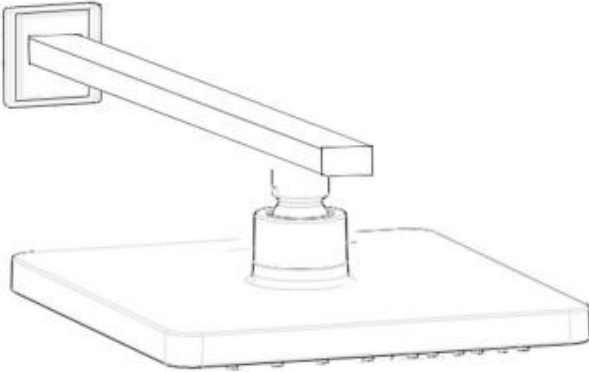
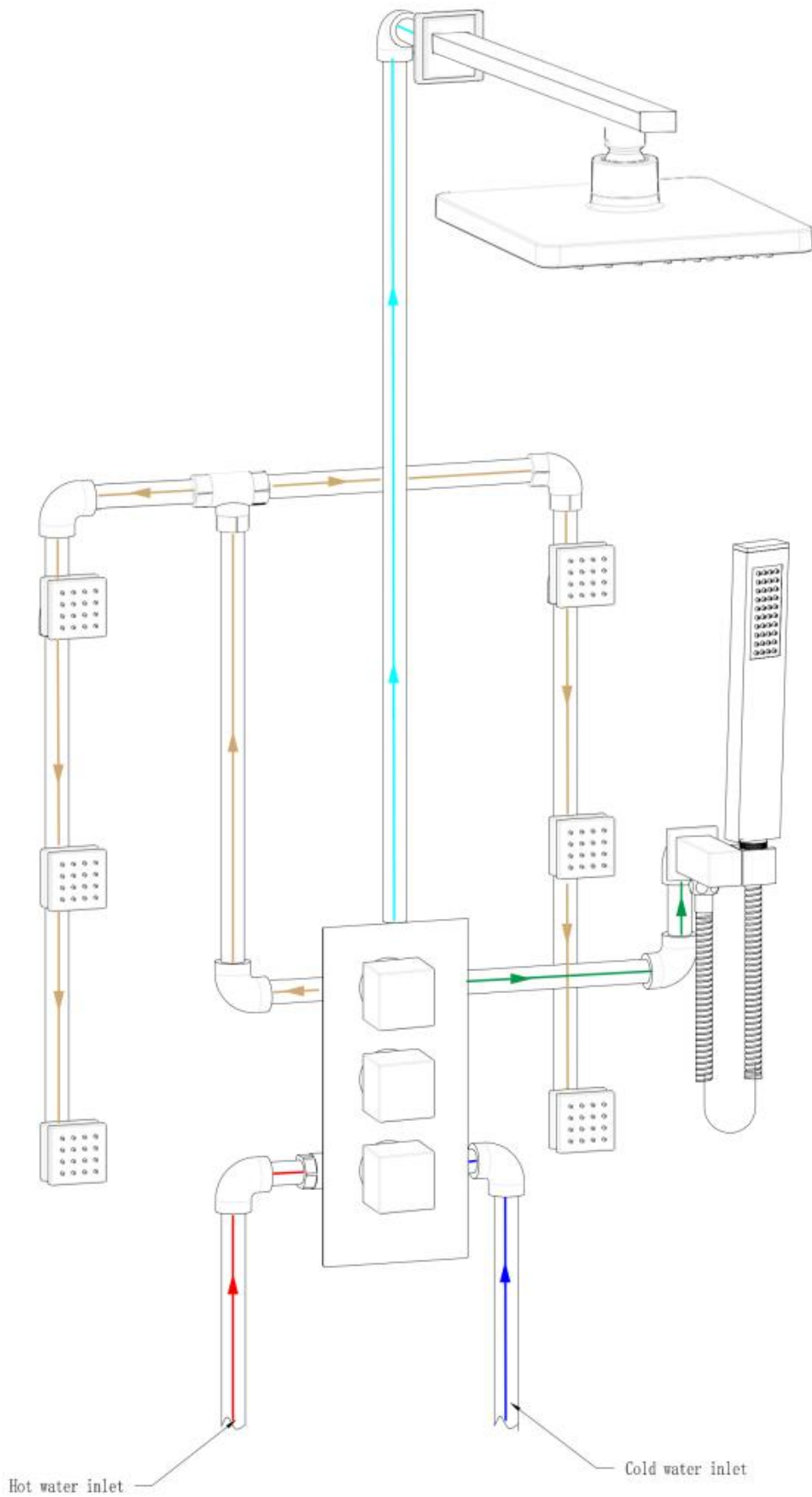


Concealed Thermostatic Shower System Installation Manual





Pipeline Chematic

Concealed Thermostatic Shower System Installation Manual

Conditions of Use

1. Cold water * hot water pressure:

The minimum pressure is 0.05 MPa (flow pressure); the maximum pressure is 0.75 MPa (static pressure).

2. Do not use steam for hot water supply. Water supply temperature <85°C / 185°F.

3. The ambient temperature should be above 0°C / 32°F, if it is not higher than 0°C/32°F, the water faucet will appear deformed and cracked.

Prior to Installation:

1. Cleaning of water supply pipeline:

Supply lines should be purged to clean impurities before connecting the unit to avoid blockage.

2. Pay attention to each step in the installation process:

① Before installation, the debris around the mounting hole must be cleaned;

② Be careful not to scratch the electroplated surface of the valve body when opening the package;

③ Please don't twist it too tight with a pipe wrench to prevent deformation or even breakage.

Precautions and Maintenance

1. In order to ensure the durability of the product, please be as gentle and slow as possible during operation.

2. Clean the filter regularly.

3. When the shower is used for a long time and water is found to flow out intermittently, there must be debris blocking the water outlet. At this time, you only need to gently pull the soft rubber ring at the water outlet of the shower, then the debris will be automatically rushed out.

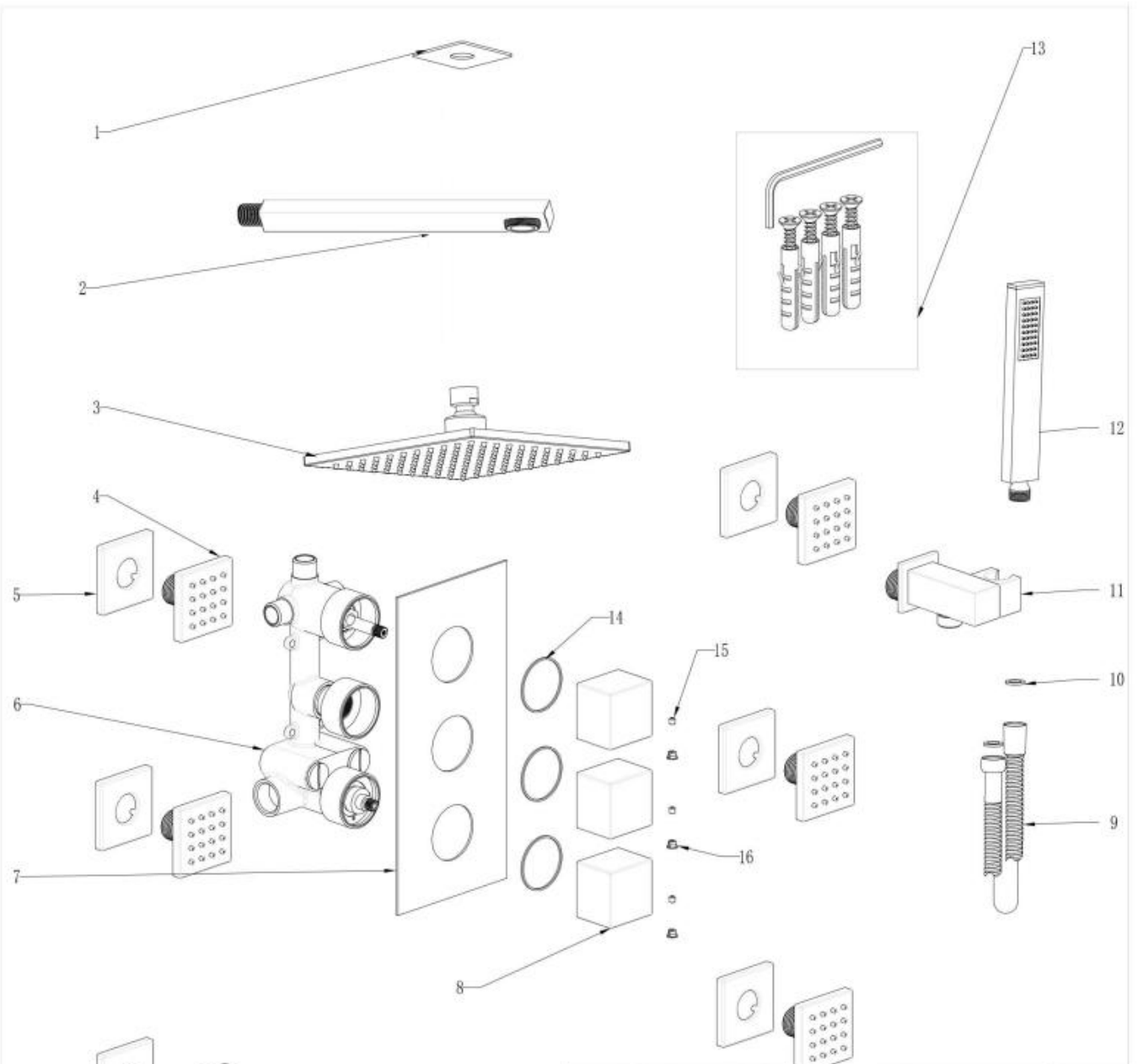
4. If any dirt, clean with soft liquid or transparent glass detergent, then rinse it with soft water, finally gently wipe it with a dry soft cloth.

5. Do not use any scrubbing detergent, polisher, sand -cloth, paper tissue or scraper.

6. Do not use acid detergent, insoluble & grain-like detergent or soap.

7. If you will not use the shower for a long time, please close the main water inlet valve in your home.

8. When the ambient temperature is under 0 ° C / 32 ° F, please take necessary measures to keep the water equipment warm.



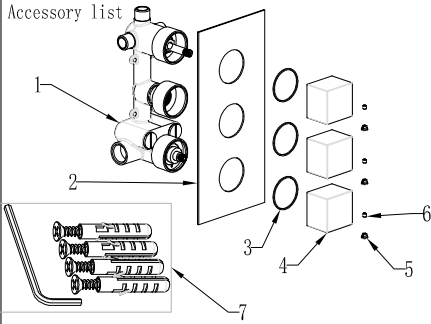
16	Decorative Screw	3
15	Hexagon socket screw	3
14	O-ring	3
13	Kits bag(4 expand screws, 4 nuts, 1 Allen wrench)	1
12	Hand Spray	1
11	Handheld Bracket	1
10	Washers	2
9	Shower Hose	1
8	Knobs	4
7	Decorative Plate	1
6	Valve Body	1
5	Cover Plate	6
4	Body Spray	6
3	Top Rain Head	1
2	Rain Shower Pipe	1
1	Cover Plate	1
No.	Description	Qty.

Accessory Packing List

Installation Steps

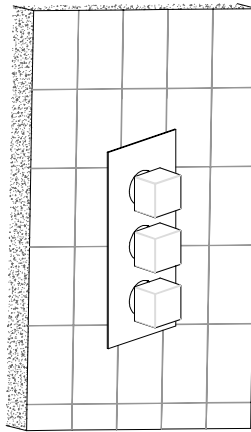
1. Installation steps of Valve Body

Accessory list

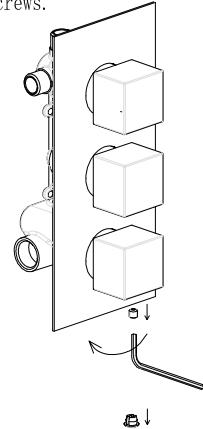


No.	Description	Qty.
7	Nails Bag	3
6	Hexagon Socket Screw	3
5	Decorative Screw	3
4	Knobs	4
3	O-ring	1
2	Decorative Plate	3
1	Valve Body	1

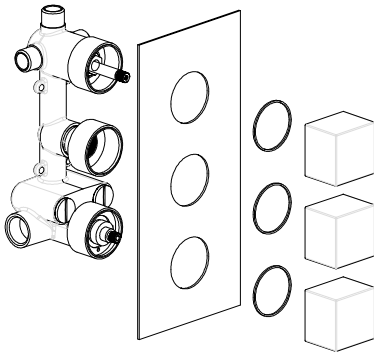
Assembly sketch



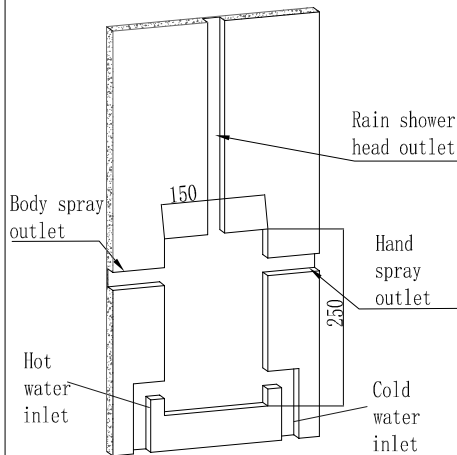
1) Counter-clockwise to unscrew the decorative screws and pull them out, then use the Allen screw to remove the hexagon socket screws.



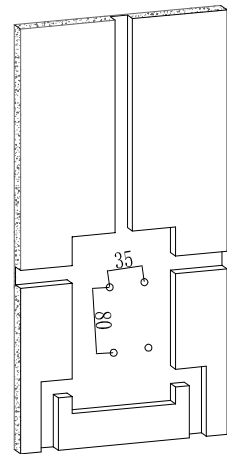
2). Then remove the face plate, take apart the valve into 3 parts as shown in the picture



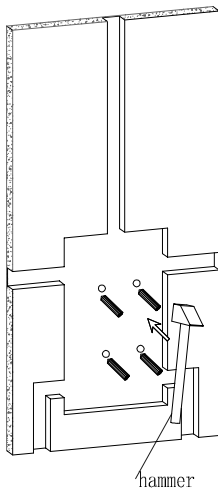
3). With reference to the basic dimensions of the embedded body, excavate the embedded ports of the main body, hot & cold water inlet pipe and the outlet pipe.



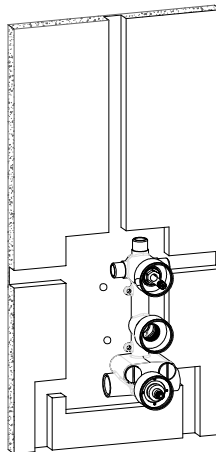
4). Drill four 6mm positioning holes according to the product size.



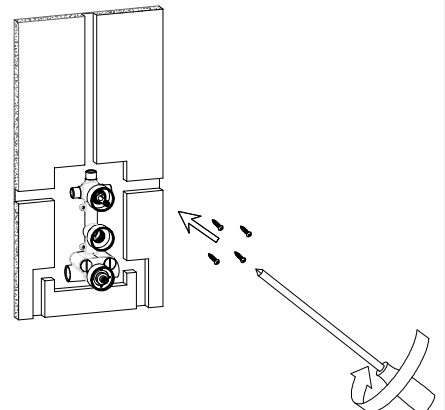
5). Hammer the expanded screw in the 4 drilled holes.



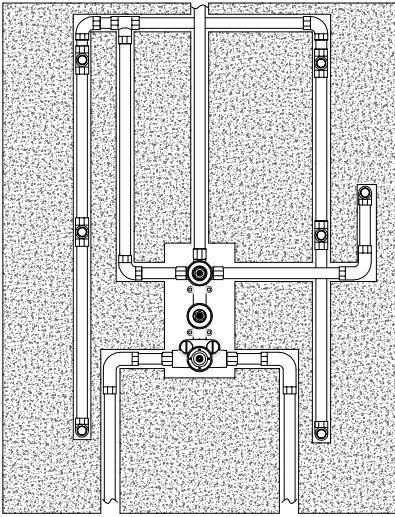
6). Position the valve body on the 4 screws



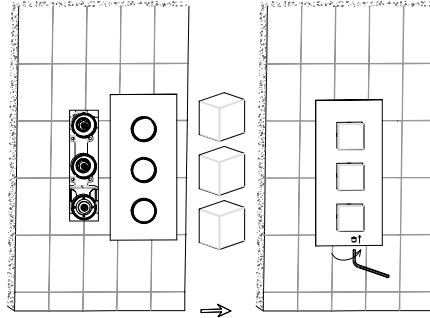
7). Use a Phillips screwdriver to tighten the 4 self-tapping screws, fix the valve body on the wall.



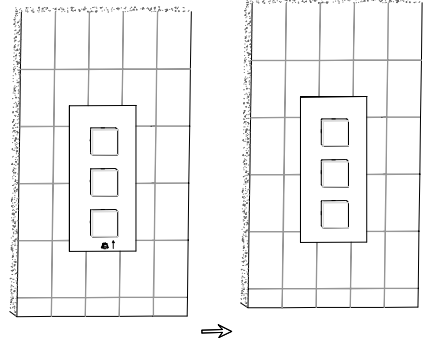
8). Connect all the pipes to check leakage, confirm no leak occurs when turn on water.



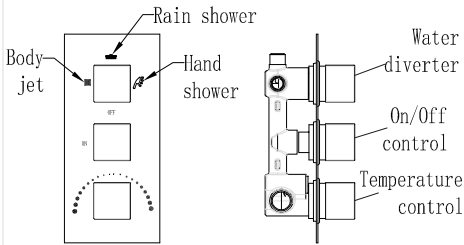
9). Fix the decorative plate and knobs on the valve body. Screw the hand-wheel on the handles and tighten with a Allen wrench.



10). Insert 3 decorative screw into the knobs.

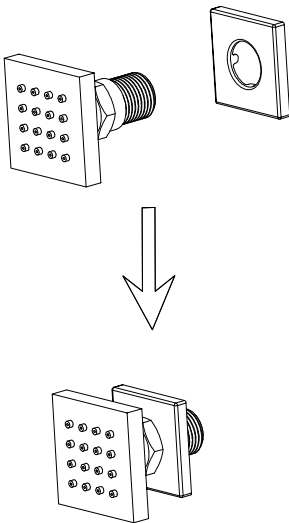


11). Function indication as shown

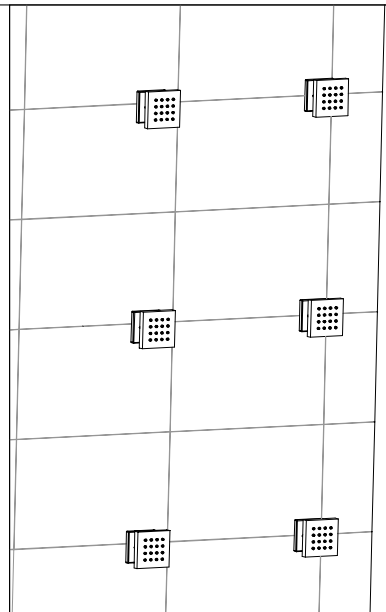
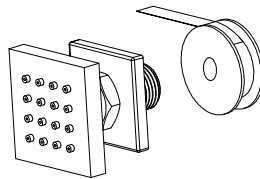


2. Installation Steps of Body Jets

1). Attach the cover plate to body jets.



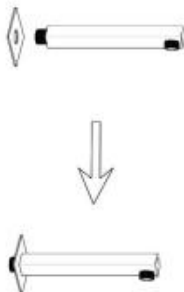
2). Apply Teflon tape to threaded tail of the body jets.



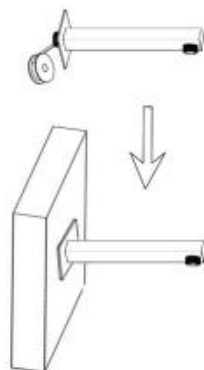
3). Use a wrench to screw the jet heads clockwise into the body spray outlets.

3. Installation Steps of Ceiling Mount Shower Head

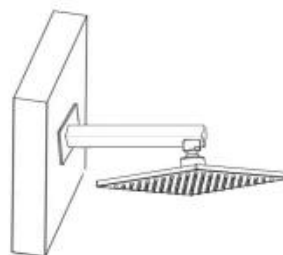
1). Attach the cover plate to the longer tail of the shower arm.



2). Wrap shower arm longer thread with Teflon tape; then tighten it clockwise on the water outlet connector on the ceiling.

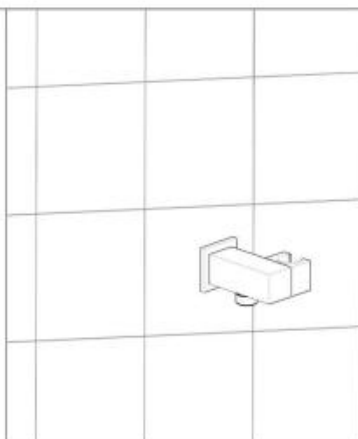
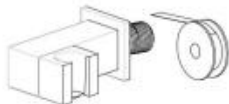


3). Screw the shower head clockwise onto the lower end of the shower pipe.

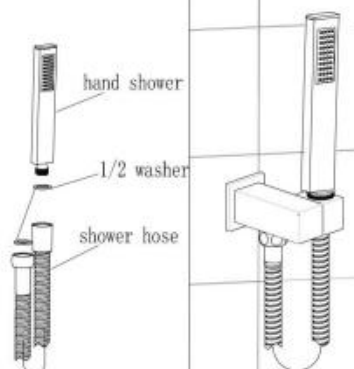


4. Installation Steps of Hand Shower

1). Wrap supply elbow thread with Teflon tape and attach cover plate to it.



2). Screw the shower holder clockwise onto the hand-shower outlet.



3). Place rubber washers in both ends of the hose. Connect the shower hose to the supply elbow and shower head. Note the ends of shower hose to be connected correctly.