

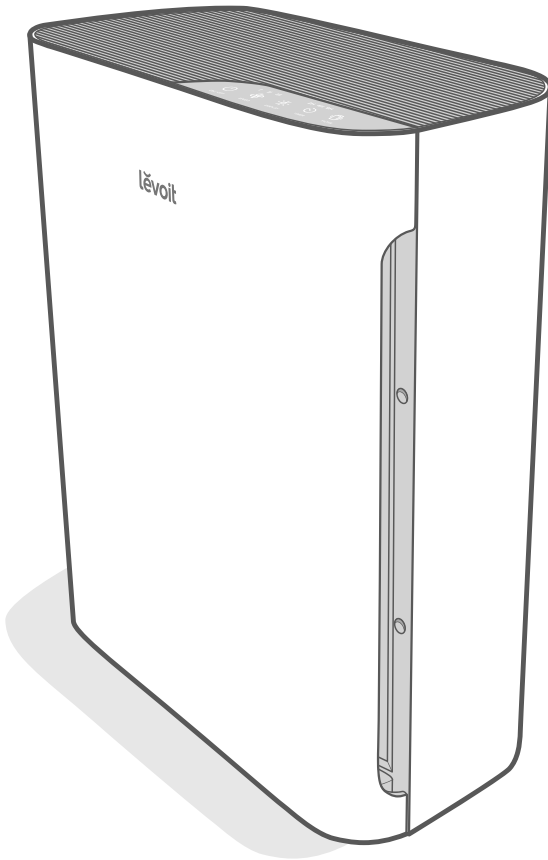


---

USER MANUAL

# Vital 100 Plus True HEPA Air Purifier

**Model:** LAP-V101-WUSB



## Questions or Concerns?

Please contact us Mon–Fri, 9:00 am–5:00 pm PST/PDT at [support@levoit.com](mailto:support@levoit.com) or at **(888) 726-8520**.

## Table of Contents

Package Contents	2
Specifications	2
Safety Information	3
Getting to Know Your Air Purifier	4
Controls	5
Getting Started	5
Using Your Air Purifier	6
About the Filter	8
Care & Maintenance	10
Troubleshooting	13
Warranty Information	16
Customer Support	17

## Package Contents

<b>Package Contents (1-Pack)</b>
1 × Air Purifier
1 × 3-Stage Filter (Pre-Installed)
1 × User Manual
<b>Package Contents (2-Pack)</b>
2 × Air Purifier
2 × 3-Stage Filter (1 Pre-Installed)
1 × User Manual

## Specifications

<b>Power Supply</b>	AC 120V, 60Hz
<b>Rated Power</b>	55W
<b>Ideal Room Size</b>	300 ft <sup>2</sup> / 28 m <sup>2</sup>  <b>Note:</b> <ul style="list-style-type: none"><li>• Effective for larger rooms, but purification will take longer.</li><li>• Ideal Room Size is based on 3.3 air changes per hour (ACH).</li></ul>
<b>CADR</b>	130 CFM / 221 m <sup>3</sup> /h
<b>Operating Conditions</b>	<b>Temperature:</b> 14°–104°F / -10°–40°C
	<b>Humidity:</b> < 85% RH
<b>Noise Level</b>	23–50dB
<b>Air Purifier Dimensions</b>	12.8 × 6.4 × 16.1 in / 32.4 × 16.2 × 41 cm
<b>Air Purifier Weight</b>	9.3 lb / 4.2 kg

# READ AND SAVE THESE INSTRUCTIONS

## SAFETY INFORMATION

To reduce the risk of fire, electric shock, or other injury, follow all instructions and safety guidelines.

### General Safety

- **Only** use your air purifier as described in this manual.
- **Do not** use without removing the plastic wrap from the filter. The air purifier will not filter air and may overheat, causing a fire hazard.
- **Do not** use your air purifier outdoors.
- Keep your air purifier away from water, and wet or damp areas. **Never** place in water or liquid.
- **Do not** use in excessively humid areas.
- Keep your air purifier away from heat sources.
- **Do not** use where combustible gases, vapors, metallic dust, aerosol (spray) products, or fumes from industrial oil are present.
- Keep 5 ft / 1.5 m away from where oxygen is being administered.
- Supervise children when they are near the air purifier.
- **Do not** place anything into any opening on the air purifier.
- **Do not** sit or place heavy objects on the air purifier.
- Keep the inside of the air purifier dry. To prevent moisture buildup, avoid placing in rooms with major temperature changes or underneath air conditioners.
- **Always** unplug your air purifier before servicing (such as changing the filter).
- **Do not** use your air purifier if it is damaged or not working correctly, or if the cord or plug is damaged. **Do not** try to repair it yourself. Contact **Customer Support** (see page 17).
- **WARNING:** To reduce the risk of fire or electric shock, **do not** use this air purifier with any solid-state speed controls (such as a dimmer switch).

- Not for commercial use. Household use **only**.

### Plug & Cord

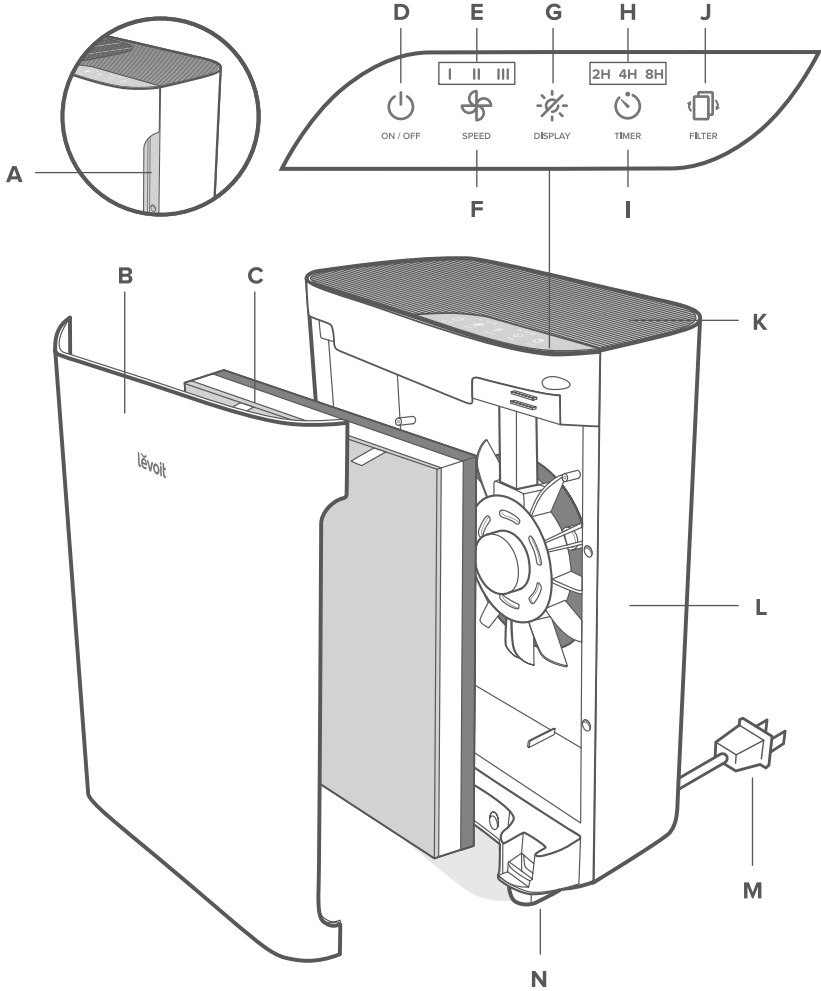
- Keep the air purifier near the outlet it is plugged into.
- **Never** place the cord near any heat source.
- **Do not** cover the cord with a rug, carpet, or other covering. **Do not** place the cord under furniture or appliances.
- Keep the cord out of areas where people walk often. Place the cord where it will not be tripped over.
- This air purifier has a polarized plug (one blade is wider than the other). To reduce the risk of electric shock, this plug is intended to fit in a polarized outlet **only** one way. If the plug does not fit fully in the outlet, reverse the plug. If it still does not fit, contact a qualified electrician. **Do not** attempt to defeat this safety feature.
- This air purifier uses standard US 120V, 60Hz outlets. If using in a different area, check for compatibility.

### Electromagnetic Fields (EMF)

Your Levoit air purifier complies with all standards regarding electromagnetic fields (EMF). If handled properly and according to the instructions in this user manual, the appliance is safe to use based on scientific evidence available today.

# GETTING TO KNOW YOUR AIR PURIFIER

- A. Air Inlet
- B. Filter Cover
- C. True HEPA 3-Stage Filter
- D. On/Off Button
- E. Fan Speed Indicators
- F. Fan Speed Button
- G. Display Off Button
- H. Timer Indicators
- I. Timer Button
- J. Check Filter Indicator
- K. Air Outlet
- L. Housing
- M. Power Cord
- N. Anti-Skid Pads



# CONTROLS



### On/Off Button

- Turns the air purifier on/off.




### Fan Speed Button

- Cycles through fan speeds: I (low), II (medium), and III (high).



### Display Off Button

- Turns the display off.
- Tap any button (except ) to turn the display back on.



### Timer Button

- Cycles through timer options (see page 7).



### Check Filter Indicator

- Lights up when the filter should be checked (see **Check Filter Indicator**, page 10).

# GETTING STARTED

1. Open the filter cover of the air purifier and remove the True HEPA filter from its plastic packaging. [Figure 1.1]
2. Place the filter back into the air purifier with the pull tabs facing out. [Figure 1.2]

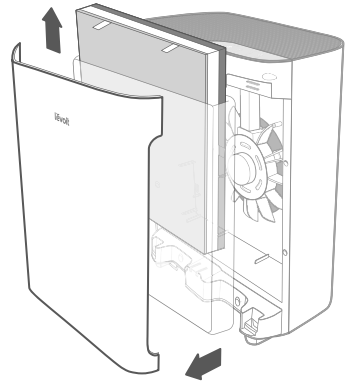


Figure 1.1

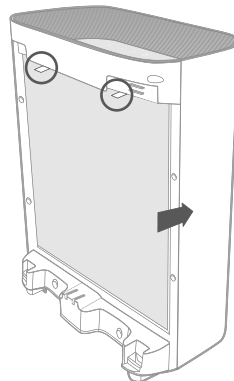


Figure 1.2

## GETTING STARTED (CONT.)

3. Replace the back cover by lining up the cover's feet with the matching slots on the bottom of the housing. [Figure 1.3]
4. Push the cover closed.
5. Place the air purifier on a hard, flat surface. Leave 15 inches / 38 cm of clearance to allow air to pass through the air inlets on the sides. [Figure 1.4]

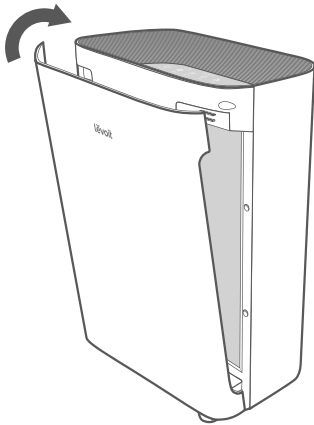




Figure 1.3

## USING YOUR AIR PURIFIER

### General Operation

1. Plug in and tap  to turn the air purifier on/off. The fan will start on level I.
2. Optionally, tap  to cycle fan speeds between I, II, and III.

#### Note:

- The indicators are not buttons and cannot be used to change the fan speed.
- The fan speed indicators will light up when active.
- Fan speed III is the loudest, but cleans air the quickest.
- For best results, or to address a specific air quality issue such as smoke, run the air purifier at high speed (level III) for 15–20 minutes before using a lower speed.
- To effectively clean air, keep windows and doors closed while the air purifier is on.

### Memory Function

When the air purifier is plugged in, it will remember its previous fan speed setting.

**Note:** The air purifier will not remember timers.

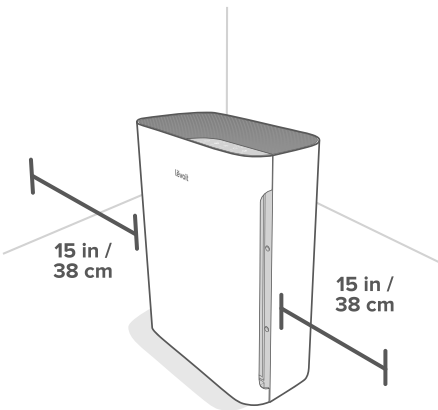



Figure 1.4

## USING YOUR PURIFIER (CONT.)


### Timer

You can set a timer for 2, 4, or 8 hours.

1. Tap  repeatedly to select a time. The timer will start automatically.

**Note:**

- *The indicators are not buttons and cannot be used to select a time.*
- *The timer indicators will light up blue when active.*

2. Once the timer has finished, the air purifier will turn off.
3. To cancel a timer, tap  until all timer indicators are off.

**Note:**

- *You can change the fan speed at any time while the timer is on.*
- *The timer will restart if the time is changed.*

# ABOUT THE FILTER

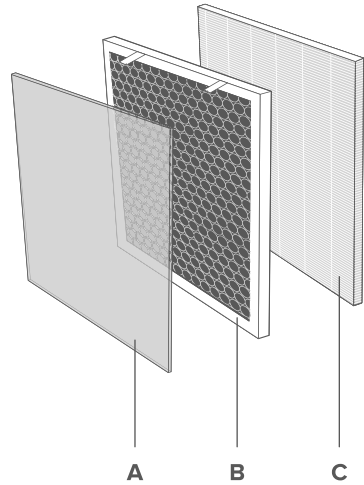
The air purifier uses a 3-stage filtration system to purify air.

## A. Washable Pre-Filter

- Captures large particles such as dust, lint, fibers, hair, and pet fur.
- Maximizes the filter's life by protecting it.

## B. Custom High-Efficiency Activated Carbon Filter

- Physically adsorbs smoke, odors, and fumes.
- Customized using the ARC formula™ to be especially effective for cooking smells and pet odors in a multi-pet household.
- The ARC Formula extends the life of the filter by chemically decomposing molecules trapped within the Activated Carbon Filter, which prevents oversaturation and second-hand pollution.
- Filters compounds such as formaldehyde, benzene, ammonia, hydrogen sulfide, and volatile organic compounds (VOCs).



## C. H13 True HEPA Filter

- Traps at least 99.97% of airborne particles 0.3 microns in size.
- Filters small particles such as fine dust, smoke particles, and allergens such as pollen and pet dander.

**Note:** Levoit air purifiers filter airborne particles 0.3 microns in size. Arovast Corporation makes no claims that this air purifier helps reduce the COVID-19 virus.

## ABOUT THE FILTER (CONT.)

### Clean Air Delivery Rate

This air purifier has a Clean Air Delivery Rate of 130 cubic feet per minute (CFM), or 221 m<sup>3</sup>/h.

Clean Air Delivery Rate (CADR) measures the efficiency of an air purifier by indicating the volume of clean air that an air purifier produces per minute. This is based on removal of dust, pollen, and smoke, which are the 3 most common indoor air pollutants. The higher the CADR, the more particles the air purifier will remove and the larger the area it can clean. The rating is measured at the air purifier's highest speed.

### Air Change Per Hour

The air change rate is how many times all of the air in a room can be purified (or "changed") by the air purifier in 1 hour. Air changes per hour are calculated on the recommended room size assuming 8 ft / 2.4 m ceilings. For smaller rooms, the air change per hour will increase. This air purifier has an air change per hour of 3.3, which means it can change air 3.3 times at the max speed in a single, closed room up to 300 ft<sup>2</sup> / 28 m<sup>2</sup> in size. The air purifier is effective for larger rooms, but air purification will take longer, with fewer air changes per hour.

**Note:** To effectively clean air, keep windows and doors closed while the air purifier is on.

### Humidity

Moisture may damage the filters. This air purifier should be used in an area with a humidity level below 85% RH. If you use the air purifier in excessively humid areas, the surface of the filter will become moldy.

**Note:** Water or moisture will allow mold to grow. To solve a mold problem, get rid of the source of the moisture and clean up the mold.

### Essential Oils

**Do not** add essential oils to the air purifier or filter. The filter will become damaged by the oil and will eventually release an unpleasant smell. **Do not** use oil diffusers near the air purifier.



# CARE & MAINTENANCE

## Cleaning the Air Purifier


**Note:** *Do not* clean with abrasive chemicals or flammable cleaning agents.

- Unplug before cleaning.
- Wipe the outside of the air purifier with a soft, dry cloth. If necessary, wipe the housing with a damp cloth, then immediately dry.
- Vacuum the inside of the air purifier.

## Check Filter Indicator

 will light up as a reminder to check the filter. Depending on how often you use the air purifier, the indicator should turn on within 6–8 months. You may not need to replace your filter yet, but you should check it when  turns on.


## When Should I Replace the Filter?

The filter should be replaced every 6–8 months. You may need to replace your filter earlier or later depending on how often you use your air purifier. Using your air purifier in an environment with relatively high pollution may mean you will need to replace the filter more often, even if  is off.

You may need to replace your filter if you notice:

- Increased noise when the air purifier is on
- Decreased airflow
- Unusual odors
- A visibly clogged filter









### **Note:**

- *To maintain the performance of your air purifier, **only** use official Levoit filters. To buy replacement filters, visit Levoit's online store. Go to [levoit.com](https://www.levoit.com) for more information.*
- *Remember to reset  after changing the filter.*

## CARE & MAINTENANCE (CONT.)

### Resetting the Check Filter Indicator

Reset the Check Filter Indicator when:

- A.**  lights up.
1. Replace the filter (see page 12).
  2. Turn on the air purifier.
  3. Press and hold  for 3 seconds.
  4.  will turn off when successfully reset.
- B.** The filter was changed before  lit up.
1. Press and hold  for 3 seconds. This will turn on .
  2. Press and hold  again for 3 seconds.
  3.  will turn off when successfully reset.

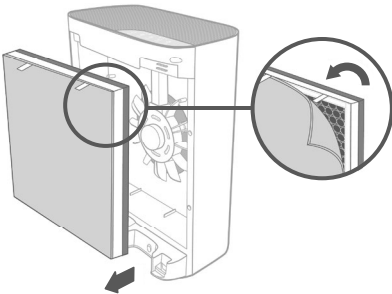


Figure 2.1

### Cleaning the Filter

The Pre-Filter should be cleaned once a month to increase efficiency and extend the life of your filter.

1. Remove the filter from the housing and clean the Pre-Filter with a soft brush or vacuum hose to remove hair, dust, and large particles.
2. Carefully peel the Pre-Filter away from the True HEPA and Activated Carbon Filters. [Figure 2.1]
3. Gently wash the Pre-Filter under running water. Dry completely before placing it back on the velcro tape.
4. Replace filter in housing.

**Note:** Do not clean the True HEPA and Activated Carbon Filters.

Filter	When to Clean	When to Replace
Pre-Filter	Vacuum every 2–4 weeks	6–8 months
	Wash every 1–2 months	
True HEPA & Activated Carbon Filter	Do not clean	

## CARE & MAINTENANCE (CONT.)

### Replacing the Filter

1. Unplug the air purifier and remove the filter cover.
2. Remove the old filter and properly dispose of it.
3. Clean out any remaining dust or hair inside the air purifier using a vacuum hose. **Do not** use water or liquids to clean the air purifier. [Figure 2.2]
4. Unwrap the new filter and place inside the air purifier with the pull tabs facing out.
5. Replace the filter cover. The air purifier will not power on unless the filter cover is replaced correctly.
6. Reset the Check Filter Indicator (see page 10).

### Storage

If not using the air purifier for an extended period of time, wrap the filter in plastic packaging and store in a dry place to avoid moisture damage.

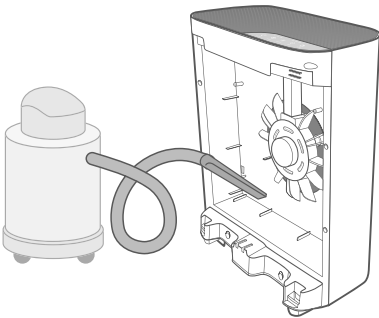











Figure 2.2

# TROUBLESHOOTING

Problem	Possible Solution
<p><b>Air purifier will not turn on or respond to button controls.</b></p>	<p>Plug in the air purifier.</p>
	<p>Check to see if the power cord is damaged. If so, stop using the air purifier and contact <b>Customer Support</b> (see page 17).</p>
	<p>Plug the air purifier into a different outlet.</p>
	<p>Air purifier is malfunctioning. Contact <b>Customer Support</b> (see page 17).</p>
<p><b>Airflow is significantly reduced.</b></p>	<p>Make sure the filter is removed from its packaging and properly in place (see page 5).</p>
	<p>Tap  to increase the fan speed.</p>
	<p>Leave at least 15 inches / 38 cm of clearance to allow air to pass through the air inlets on the sides.</p>
	<p>The Pre-Filter may be clogged by large particles, such as hair or lint, blocking air flow. Clean the Pre-Filter (see page 11).</p>
	<p>Replace the filter (see page 12).</p>
<p><b>Air purifier makes an unusual noise while the fan is on.</b></p>	<p>Make sure the filter is properly in place with plastic packaging removed (see page 5).</p>
	<p>Make sure the air purifier is operating on a hard, flat, even surface.</p>
	<p>Replace the filter (see page 12).</p>
	<p>Air purifier may be damaged, or a foreign object may be inside. Stop using the air purifier and contact <b>Customer Support</b> (see page 17). <b>Do not</b> try to repair the air purifier.</p>
<p><b>Strange smell coming from the air purifier.</b></p>	<p>Clean the filter or replace if necessary.</p>
	<p>Contact <b>Customer Support</b> (see page 17).</p>
	<p>Make sure not to use your air purifier in an area with high humidity or while diffusing essential oils.</p>

**TROUBLESHOOTING (CONT.)**

Problem	Possible Solution
<p><b>Poor air purification quality.</b></p>	<p>Tap  to increase the fan speed.</p>
	<p>Make sure no objects are blocking the sides or top of the air purifier (the inlet or outlet).</p>
	<p>Make sure the filter is removed from its packaging and properly in place (see page 5).</p>
	<p>Close doors and windows while using the air purifier.</p>
	<p>If the room is larger than 300 ft<sup>2</sup> / 28 m<sup>2</sup>, air purification will take longer. The air purifier may not be as effective in significantly larger rooms.</p>
	<p>Replace the filter (see page 12).</p>
<p> is still on after replacing the filter.</p>	<p>Reset the Check Filter Indicator (see page 11).</p>
<p> has not turned on within 8 months.</p>	<p> is a reminder for you to check the filter and will light up based on how much the air purifier has been used (see page 10). If you don't use your air purifier often,  will take longer to turn on.</p>
<p> turned on before 6 months.</p>	<p> is a reminder for you to check the filter and will light up based on how much the air purifier has been used (see page 10). If you run your air purifier frequently,  will turn on sooner.</p>

**If your problem is not listed, please contact Customer Support (see page 17).**

# FEDERAL COMMUNICATION COMMISSION INTERFERENCE STATEMENT

This device complies with Part 15 of the FCC Rules. Operation is subject to the following two conditions:

1. This device may not cause harmful interference, and
2. This device must accept any interference received, including interference that may cause undesired operation.

NOTE: This equipment has been tested and found to comply with the limits for a Class B digital device, pursuant to Part 15 of the FCC Rules. These limits are designed to provide reasonable protection against harmful interference in a residential installation. This equipment generates, uses and can radiate radio frequency energy and, if not installed and used in accordance with the instructions, may cause harmful interference to radio communications. However, there is no guarantee that interference will not occur in a particular installation. If this equipment does cause harmful interference to radio or television reception, which can be determined by turning the equipment off and on, the user is encouraged to try to correct the interference by one or more of the following measures:

- Reorient or relocate the receiving antenna.
- Increase the separation between the equipment and receiver.
- Connect the equipment into an outlet on a circuit different from that to which the receiver is connected.
- Consult the dealer or an experienced radio/TV technician for help.

**FCC Caution:** Any changes or modifications not expressly approved by the party responsible for compliance could void the user's authority to operate this equipment.

# WARRANTY INFORMATION

Product	Vital 100 Plus True HEPA Air Purifier
Model	LAP-V101-WUSB
Order ID	
Date of Purchase	

## Terms & Policy

Arovast Corporation (“Arovast”) warrants this product to the original purchaser to be free from defects in material and workmanship, under normal use and conditions, for a period of 1 year from the date of original purchase.

Arovast agrees, at our option during the warranty period, to repair any defect in material or workmanship or furnish an equal product in exchange without charge, subject to verification of the defect or malfunction and proof of the date of purchase.

There is no other express warranty. This warranty does not apply:

- If the product has been modified from its original condition;
- If the product has not been used in accordance with directions and instructions in the user manual;
- To damages or defects caused by accident, abuse, misuse or improper or inadequate maintenance;
- To damages or defects caused by service or repair of the product performed by an unauthorized service provider or by anyone other than Arovast;
- To damages or defects occurring during commercial use, rental use, or any use for which the product is not intended;
- To damages or defects exceeding the cost of the product.

Arovast will not be liable for indirect, incidental, or consequential damages in connection with the use of the product covered by this warranty.

This warranty extends only to the original consumer purchaser of the product and is not transferable to any subsequent owner of the product regardless of whether the product is transferred during the specified term of the warranty.

This warranty does not extend to products purchased from unauthorized sellers. Arovast’s warranty extends only to products purchased from authorized sellers that are subject to Arovast’s quality controls and have agreed to follow its quality controls.

All implied warranties are limited to the period of this limited warranty.

This warranty gives you specific legal rights and you may also have other rights which vary from state to state. Some states do not allow the exclusion or limitation of incidental or consequential damages, so the above limitation or exclusion may not apply to you.

If you discover that your product is defective within the specified warranty period, please contact Customer Support via **support@levoit.com**. **DO NOT** dispose of your product before contacting us. Once our Customer Support Team has approved your request, please return the product with a copy of the invoice and order ID.

## Extend Your Warranty by 1 Year

Register your product within 14 days of purchase at **www.levoit.com/warranty** to extend your 1-year warranty by an additional year.

This warranty is made by:

Arovast Corporation  
1202 N. Miller St., Suite A  
Anaheim, CA 92806

# CUSTOMER SUPPORT

If you have any questions or concerns about your new product, please contact our helpful Customer Support Team.

## **Distributed by Arovast Corporation**

1202 N. Miller St., Suite A  
Anaheim, CA 92806

**Email:** [support@levoit.com](mailto:support@levoit.com)

**Toll-Free:** (888) 726-8520

## **Support Hours**

Mon–Fri, 9:00 am–5:00 pm PST/PDT

\*Please have your order invoice and order ID ready before contacting Customer Support.





# lėvoit<sup>®</sup>

levoit.com

Connect with us @LevoitLifestyle

