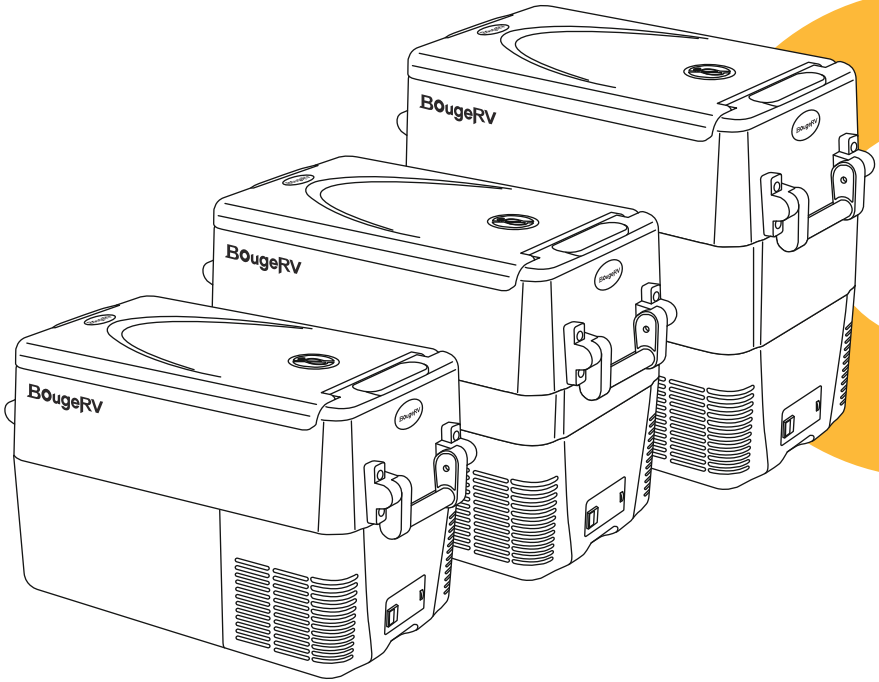


BougeRV

USER MANUAL

For Portable Car Refrigerator



Model E30/E40/E50
Capacity 34QT/42QT/53QT

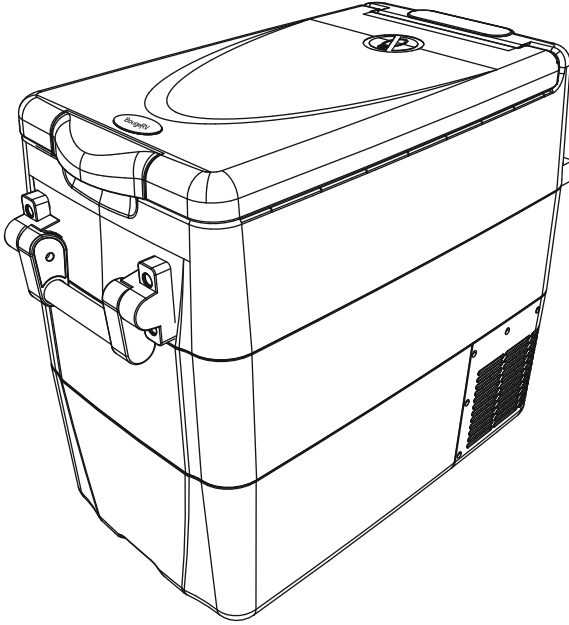
Please read this manual carefully before use and keep it properly for further reference.

Contents

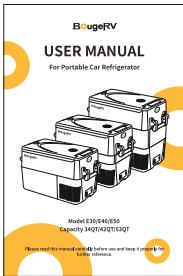
| | |
|--|---------------|
| 1 Package Contents | Page1 |
| 2 Safety Instructions | Page2 |
| 3 Preparing Before Use | Page3 |
| 4 Product Introduction | Page3 |
| 4.1 Product Features | Page3 |
| 4.2 Product Size | Page4 |
| 4.3 Product Structure | Page5 |
| 4.4 Handle Installation | Page5 |
| 5 Operation Instruction | Page6 |
| 5.1 Power Supply | Page6 |
| 5.2 Display Screen Initialization | Page6 |
| 5.3 Turn On/Off | Page6 |
| 5.4 Temperature Setting | Page6 |
| 5.5 MAX/ECO Mode Switching | Page6 |
| 5.6 Temperature Unit Switch | Page6 |
| 5.7 Car Battery Protection Setting H/M/L | Page6 |
| 5.8 Memory Function | Page7 |
| 6 Car Battery Protection(H/M/L) Voltage Reference | Page7 |
| 7 Error Code Problems and Troubleshooting | Page8 |
| 8 Cleaning and Storage | Page10 |
| 9 FAQ | Page11 |
| 10 Warranty and Maintenance | Page13 |
| 11 Specification | Page14 |

1 Package Contents

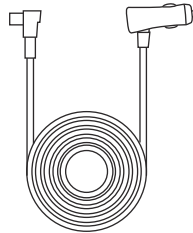
Car Refrigerator



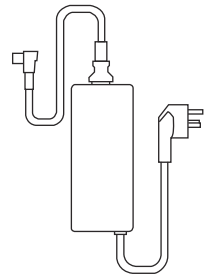
User Manual



12/24V DC
Power Cord



110/220V AC
Power Adapter



2 Safety Instructions



WARNING! Failure to obey these warnings could result in the malfunction of your device and possible injury to yourself and other users.

- Do not operate the device if it is visibly damaged.
- Do not block the gaps of the device with small items like pins, wires, etc.
- Do not expose the device to rain or soak it in water.
- Do not place the device near naked flames or other heat sources (heaters, direct sunlight, gas ovens etc.)
- Do not store explosive substances like spray cans with flammable propellants in the device.
- Before starting the device, ensure that the power supply line and the plug are dry.
- Check if the voltage specification on the nameplate matches the power supply voltage specification.
- Before starting the device, it must be left horizontal for more than 12 hours.
- Make sure that the device stays horizontal when it is running. The tilt angle must be less than 5° for a long time running and less than 45° for short time running.
- The refrigerator must be well-ventilated for heat dissipation and make sure to keep some space around it (Back Space 200mm, Side Space 100mm).
- The device may only be repaired by Qualified personnel. Improper repairs can lead to safety hazards. If the power cable is damaged, it must be replaced by the manufacturer, customer service, or a similarly Qualified person in order to prevent safety hazards.



NOTICE!

- The device can be used by children aged eight years and over, as well as by persons with reduced physical, sensory or mental abilities or lack of experience and knowledge. However, they must be supervised during use or they must have been adequately taught how to use the fridge safely and have been made aware of the risks involved before using it.
- Children must be supervised to ensure that they do not play with the device.
- Disconnect the device or switch it off when you turn off the engine. Otherwise, you may discharge the battery.



CAUTION!

- Food is suggested to be stored in its original packaging or in suitable containers.
- Set a suitable temperature for food stored in the device. Refer to the recommended temperature for common food on Page 11.

3 Preparing Before Use

1. Unpackage and take out the accessories, and let the refrigerator stand for 12 hours.
2. Before using it for the first time, clean the inside and outside of the car refrigerator with a damp cloth and wait until it gets dry.
3. Place your refrigerator in a proper position which depends on your use scenario (car, truck, RV, camper, Van, Jeep, SUV, boat, home, etc.)
4. According to your use scenario, please choose the right power cord (AC cord or DC cord) for the right power supply. Please read the next part carefully for the details.

4 Product Introduction

4.1 Product Features

1. Multiple Application Scenarios: You can use the refrigerator on various vehicles such as SUV, Truck, RV, Camper, Jeep, Van, Boat, etc. You can take it with you, during camping, tailgating, road trips, outdoor travels, offroad, and even at home.
2. Freezer or Refrigerator: With temp range $-4^{\circ}\text{F}\sim 50^{\circ}\text{F}$, you can use it as a freezer or refrigerator.
3. Energy Efficiency: With ECO energy saving mode, the operating mode is less than 45W. It consumes far less than 1kWh/day for its intelligent cycle work.
4. Fast Cooling with Compressor Refrigeration: Running on Max mode in empty condition.
5. 3 Level battery protection mode: The battery monitor will turn off the refrigerator as soon as the supply voltage falls below the set level.
6. 45dB Low Noise: The refrigerator is designed to low noise to make sure you a good sleep after a long drive.

4.2 Product Size

Capacity: 34Quart / 32L

Dimensions:

With handle: 25.8*13.6*14.8in

(65.5*34.5*37.7cm)

Without handle: 23.1*13.6*14.8in

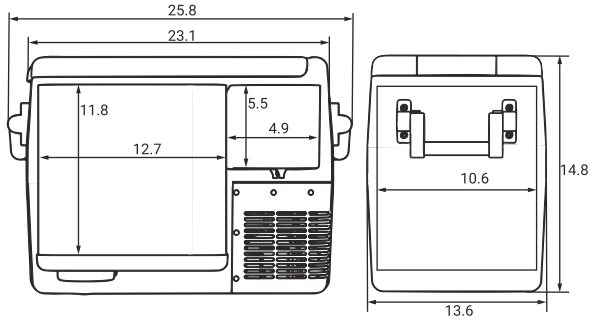
(58.6*34.5*37.7cm)

Big zone: 12.7*10.6*11.8in

(32.2*27*30cm)

Small zone: 4.9*10.6*5.5in

(12.5*27*13.9cm)



Capacity: 43Quart / 40L

Dimensions:

With handle: 25.8*13.6*17.4in

(65.5*34.5*44.2cm)

Without handle: 23.1*13.6*17.4 in

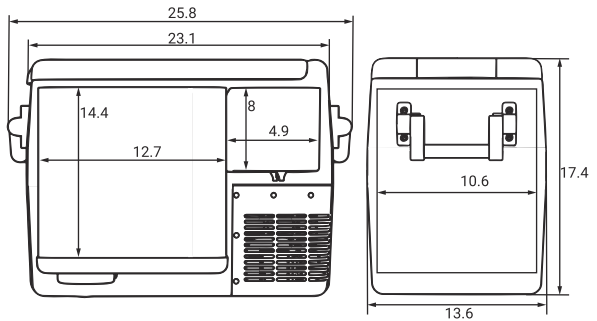
(58.6*34.5*44.2cm)

Big zone: 12.7*10.6*14.4 in

(32.2*27*36.5cm)

Small zone: 4.9*10.6*8 in

(12.5*27*20.4cm)



Capacity: 53Quart / 50L

Dimensions:

With handle: 25.8*13.6*20.7 in

(65.5*34.5*52.7cm)

Without handle: 23.1*13.6*20.7 in

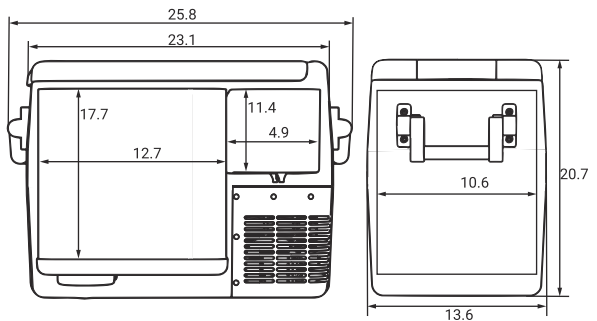
(58.6*34.5*52.7cm)

Big zone: 12.7*10.6*17.7 in

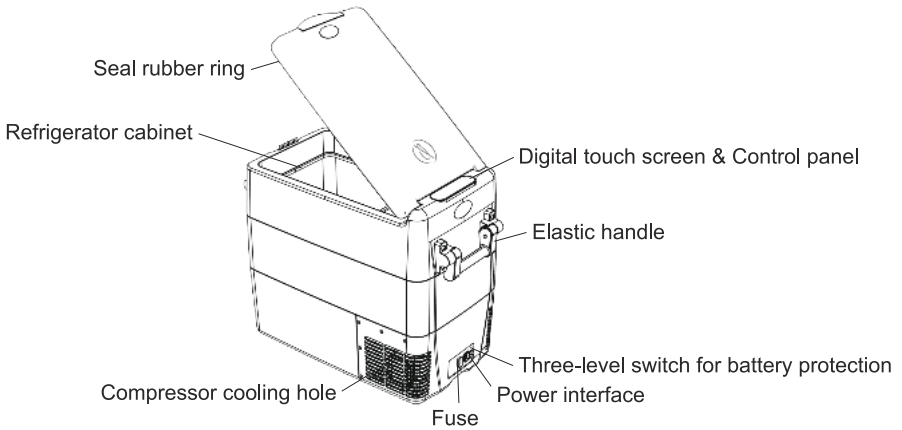
(32.2*27*45cm)

Small zone: 4.9*10.6*11.4 in

(12.5*27*28.9cm)



4.3 Product Structure



4.4 Handle Installation



Step 1: Disassemble the screw (M6.16) with the hex key and keep the screw. 8 pcs screws in total.



Step 2: Put a fixed handle seat part on the two holes and install the handle parts with a screw by using the hex key.



Step 3: Put the handle tube into the installed hand seat, pay attention to the direction of the groove, and align the inner diameter of the handle hole.

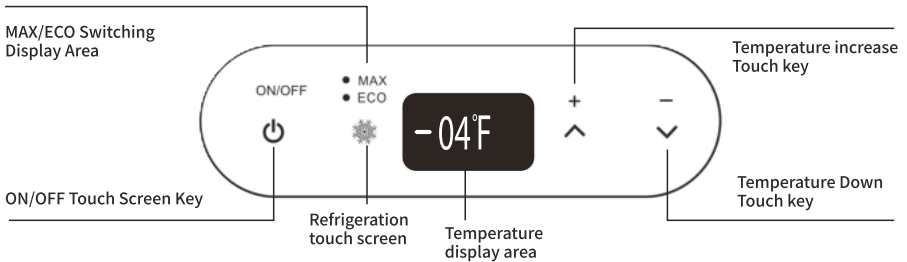


Step 4: Put another handle seat parts on the handle tube and also pay attention to the direction of the handle tube.



Step 5: Align the mounting screw holes and tighten them with the hex key and screws. Pls also install the other handle on the other sides in the same way.

5 Operation Instruction



5.1 Power Supply

Connect to 12/24 DC power (use in car, truck, or power station)
Connect to 110~240V AC power (use a home outlet or ac outlet of power station)

5.2 Display Screen

At the moment when the refrigerator is powered on, you will hear a beep, and the ❄️ of display will keep flashing.
(Note: You can't operate until the refrigerator is turned on.)

5.3 Turn On/Off

Press and hold ⏻ 3~5 seconds to turn on the refrigerator.

5.4 Temperature Setting

Press ^ or v for temperature setting, the setting will be saved automatically after stopping operating for 4 seconds.
Keep holding the button, the temperature will be adjusted fastly.
(Note: The temperature displayed is the current temperature. It will take a while to reach the set temperature.)
Temperature setting range: -20~10°C (-4~50°F)

5.5 MAX/ECO Mode Switching

In working status, press ❄️ to switch MAX/ECO mode.
ECO (Green light): Energy Saving Mode, 45 watts.
MAX (White light): Fasting Cooling Mode, 60 watts.

5.6 Temperature Unit Switch

Hold ^ and v at the same time for 3~5 seconds to switch Celsius (°C) / Fahrenheit (°F). (Factory setting is °F)








5.7 Car Battery Protection Setting H/M/L

There is a H/M/L switch next to the power port, which can be switched to HIGH, MEDIUM, or LOW levels. We suggest setting a high level during the fridge connecting with the car battery while setting medium or low levels when connecting with other batteries. (Factory setting is H).

5.8 Memory Function

The car refrigerator has a power-off memory function. The working state (power on/off state and working mode) before disconnecting the power supply will be automatically restored. You don't need to set the temperature and mode when your refrigerator is connected to the power supply again.

Recommended temperature for common food:

| | | | | | | |
|---|---|---|---|---|---|---|
|  |  |  |  |  |  |  |
| Drinks | Fruits | Vegetable | Delicatessen | Wine | Ice cream | Meat |
| 5°C/41°F | 5~8°C/41~46°F | 3~10°C/37~50°F | 4°C/39°F | 10°C/50°F | -10°C/14°F | -18°C/0°F |

6 Car Battery Protection(H/M/L) Voltage Reference

The refrigerator is equipped with a battery preservation monitor. There are three levels (H/M/L) to monitor your battery to prevent a full discharge. The higher the level the higher the cut-off voltage will be.

When set to "High", the battery monitor will provide maximum protection for the battery running the refrigerator against excessive/full discharge.

When set to "Low", the battery monitor will allow the refrigerator to use more of the battery energy.

| Voltage | | Factory default voltage protection level sets to H Mode | | |
|---------|---------|---|-------------|----------|
| | | High Mode | Medium Mode | Low Mode |
| 12V DC | Cut out | 11.3V | 10.1V | 9.6V |
| | Cut in | 12.5V | 11.4V | 10.9V |
| 24V DC | Cut out | 24.6V | 22.3V | 21.3V |
| | Cut in | 26.0V | 23.7V | 22.7V |

NOTE: Cut out means the input voltage in which the refrigerator will turn off.
Cut in means the input voltage in which the refrigerator will turn on.

The battery monitor will power off the refrigerator as soon as the supply voltage falls below the setting level. The refrigerator will restart after 2 minutes once the cut-in voltage is reached.

7 Error Code Problems and Troubleshooting

If there is an unusual problem that cannot be resolved through simple fault analysis, please consult professional customer service with your order number for assistance:

If it was ordered from Amazon, please contact: service@bougerv.com.

If it was ordered from BougeRV Website, please contact: support@bougerv.com.

Note: In order to resolve the issue, you had better attach more details as follows in your email.

1. The order number.
2. If possible, pictures or videos to show the problem.
3. How do you connect with the fridge? And what is the power source?
4. Is there any error code show on the display?
5. Your shipping address and phone number, for shipping the part replacement.

| Troubles | Causes and solutions |
|--------------------------------|---|
| The refrigerator does not work | <ul style="list-style-type: none">• Check whether the power is connected correctly. (Such as the plug is loose, the positive and negative poles are reversed).• Check whether the power switch on the operation panel is turned on.• Check whether the cooling ventilation is normal.• Check whether the fuse is blown. |
| Not cooling sufficiently | <ul style="list-style-type: none">• Check whether the door is closed.• The door cover seal is damaged or deformed and the seal is not strict.• Poor ventilation in the car refrigerator cooling.• Improper temperature setting. |
| Abnormal noise | <ul style="list-style-type: none">• Exclude some normal sounds, such as the sound of a working compressor.• The place of the refrigerator is not stable.• Some items in the refrigerator hit the wall of the inside refrigerator, like the drinks.• Internal parts of the compressor compartment are loose or fall off. |
| Outer surface condensation | <ul style="list-style-type: none">• When the ambient air humidity > 75%, the surface of the refrigerator will normally have slight condensation. |
| Temperature fluctuation | <ul style="list-style-type: none">• It is normal for the temperature to float in a range of ± 5 °C.• It is normal that the temperature measured by yourself is 3 °C higher than that shown on the display screen.• If the temperature does not drop all the time, please keep the refrigerator empty and adjust it to the lowest temperature and stay over one hour.• Please touch the inner wall of the refrigerator with your hand. If you can feel the cold obviously, there is no problem with the refrigeration of the refrigerator. |

The definition of the error code on the display

| Error Code | Error Type | Solutions |
|------------|---|---|
| E1 | Input voltage too low | <p>① Situation: Insert the power cord into the car cigar lighter before the car start. Solution: Connect the refrigerator later after the car starts.</p> <p>② Situation: Power the refrigerator from an outlet. Solution: Adjust the battery protection level to the low level. If the refrigerator still no start properly, please contact the service for a new adapter.</p> |
| E2 | Fan problem | Please contact the service for a new fan and the replacing video and replace it. |
| E3 | Compressor start up frequently Input voltage fault | <p>① Situation: E3 appears when use the refrigerator in a car. Solution: Turn off the refrigerator, stay 5 minutes and turn it on, it can work normally. If it still can not works after restart, it is classified under E1 fault, please reference to E1 Fault troubleshooting and solution.</p> <p>② Situation: E3 appears when use the refrigerator at home Solution: Adjust battery protection level to middle or low level. If it still can not works, please contact the service for a new adapter.</p> |
| E4 | Compressor turbine speed too low | The input voltage needs to be adjusted and reconnect the power. |
| E5 | Controller chip overheating | The refrigerator should be turn off and keep for 5 minutes. Then, check whether the area around the compressor vent is blocked. If not, restart it again. |
| Er1 | NTC opening or short circuit | |

8 Cleaning and Storage

■ Cleaning

- Unplug the device first to avoid electric shock.
- Use a wet cloth to clean the device and dry it.
- Remove the cover and drain from the hole at the bottom of the device.
- Do not soak the device in water and do not wash it directly.
- Do not use abrasive cleaning agents as these can damage the device.

■ Storage

If the device will not be in use for a long time, please follow the steps:

- Turn off the power and remove the plug.
- Remove all the items stored in the device.
- Remove the cover and drain from the hole, wipe off excess water with a soft rag.
- Leave the lid slightly open to prevent odors from forming.
- Put the device in a cool and dry place.

■ Defrosting

Humidity can form frost in the interior of the cooling device or on the evaporator, which will affect the cooling performance. Defrost the device regularly to avoid this.

- Switch off the device.
- Take out the contents of the device.
- Keep the lid open.
- Remove the cover and drain from the hole.
- Wipe off the defrosted water.



Never use hard or sharp tools to remove ice or to loosen objects which have frozen in place.

9 FAQ

Q1: Is there a cover for this refrigerator?

A1: Yes, there is. You could search for "BougeRV 34/42/53 Quart fridge cover" on Amazon.

Q2: Does it come with a battery installed?

A2: No, this refrigerator does not come with a battery. Our batteries are sold separately.

Q3: How much is the power consumption of the refrigerator?

A3: It is divided into ECO and MAX. The ECO mode is 45W; the MAX mode is 60W.

Q4: What's the outside temperature range this can be safely used?

A4: Temperature range: 50°F~122°F.

Q5: What is the adjustable temperature range of the refrigerator?

A5: -4°F~50°F.

Q6: How long does it take to cool down to the lowest temperature?

A6: The cooling rate depends on whether the refrigerator is empty or loaded. It usually takes about an hour and a half for the empty box to reach the lowest temperature. The more things in the refrigerator, the slower the cooling speed.

Q7: Does the fridge have to be plugged in for use?

A7: Yes, it must.

Q8: How long can the temperature be maintained after unplugging?

A8: Depends on the ambient temperature around it. If the compartments are filled, it will take longer to warm. If it's empty, it's quick to warm.

Q9: How long can this continuously be run safely?

A9: As long as the power supply is maintained, our portable refrigerators can work 24 hours/ a day, just like home refrigerators.

Q10: Will it keeps ice cream frozen?

A10: Yes. By setting the temperature below 0°F, you can keep the ice cream frozen.

Q11: Can I make ice with ice cube trays?

A11: Yes. The internal temperature of this portable refrigerator is adjustable from -4°F to 50°F. You can get ice cubes by setting the temperature below 32°F.

Q12: Can I get a new replacement if the parts of my refrigerator malfunction?

A12: Sure, we provide a 2-year warranty.

Q13: How can I register for the warranty on my refrigerator?

A13: You can contact our email "service@bouger.com / bouger@gmail.com, and we will give you the corresponding solution according to your problem."

10 Warranty and Maintenance

Warranty

BougeRV PORTABLE CAR REFRIGERATOR comes with a 2-year warranty that commences from the date of purchase on BougeRV Amazon Store or BougeRV Official Website, except the following situations:

- Contrived damage.
- Damage caused by force majeure such as earthquake, conflagration, etc.
- Damage from inappropriate use or violating this instruction.
- Damage or malfunction caused by disassembling.

✔ 24-month limited warranty

🔧 Lifetime technical support

Customer Service

If there is any problem with the operation or use of the product, please feel free to contact us via:

■ Amazon:

✉ service@bougeRV.com

☎ +1 699 232 7427 (CHN)
9AM-6PM (UTC+8) Monday-Friday

+1 408 656 8402 (US)
9AM-6PM (PT) Monday-Friday

■ BougeRV Website:

✉ support@bougeRV.com

☎ +1 408 429 4149 (CHN)
9AM-6PM (UTC+8) Monday-Friday

+1 408 656 8402 (US)
9AM-6PM (PT) Monday-Friday

VIP Service & Extra 1-year Warranty

1. Search "QR Code" on your FB
2. Scan the QR Code beside
3. Join "BougeRV Car Refrigerator Club"
4. You become a VIP and get a 3-year warranty



11 Specification

| Model | E30 | E40 | E50 |
|-------------------|--|---------------------------|---------------------------|
| Rated Voltage | DC: 12V/24V | | |
| | AC: 110~240V | | |
| Rated Power Input | ECO (Green light): Energy Saving Mode, 45 watts. | | |
| | MAX (white light): Fasting Cooling Mode, 60 watts. | | |
| Capacity | 32L=34Quart =1.13cu.ft | 40L=42Quart =1.41cu.ft | 50L=53Quart =1.77cu.ft |
| Sound Noise Level | ≤45dB | | |
| Climat Type | T/ST/N/SN | | |
| Temperature Range | -20~10°C(-4~50°F) | | |
| Refrigerant | R-134a | | |

*Due to product improvement, the technical information might be different from the actual information, please refer to the rating label on the product.

■ Disposal:

Place the packaging material in the appropriate recycling waste bins wherever possible.



If you want to eventually dispose of the product, ask your local recycling center or specialty distributor for details on how to do so in accordance with the applicable disposal regulations.

Explore more from BougeRV



@bougerv



@Bougervofficial



BougeRV

