

257 X 214MM

CLEANING OF BLENDER



- Before cleaning any part of the blender unplug the cord from the outlet. Be sure to dry all parts thoroughly before you use them again.

- Clean the appliance after every use, unplug the cord & rinse the guard & blade under running water as shown in fig.
- While cleaning the blender take care that the water doesn't enter into motor parts, wipe off the excess water with dry cloth or and put the appliance back on the stand.
- Do not wash the upper part of the blender but use the damp cloth to remove dirty and grim from the body.
- Use of HHB-100E (WITH BOWL) with oily foods etc. fill up the jar with Luke warm water and add detergents. Run the appliance for about 10 seconds. Repeat the operation with plain water and then wipe with cotton cloth gently.
- Heated products lose vitamins & minerals. Keep on moving the blender up and down while blending as shown in picture to avoid the same.

NOTE

- ♦ In view of continuous improvement, the design and specification of the product are subject to change without prior notice.
- ♦ Company will not be held responsible for any delay in servicing due to non-availability of any components or due to any reasons beyond the control of the company.
- ♦ Company reserves the rights to provide service at home or service center.
- ♦ Parts illustrated in this use and care manual are indicative only, parts provided with the product may differ with illustrations.
- ♦ This Hand Blender is intended for household use only.

Condition of Warranty for Alternative Product Offered in Replacement

There may be instances where ORPAT no longer keeps spare Parts or Products that have been brought before the authorised service center for necessary replacement as the said Product may have been deemed as "Outdate" by ORPAT even though they may be covered under the applicable warranty terms. Under such circumstances, the Company shall provide alternative products that offer similar functionalities and of similar value to the product subjected to the following conditions:

1. When Spare Part(s) are no longer available, all other parts that make the product complete must be submitted for replacement, even though these parts may or may not be in working condition.
2. If the alternative product is of lesser value, however bearing similar functionality, there shall be no refunds.
3. If the alternative product is higher in value, however bearing similar functionality, the customer shall be required to pay for the difference in value.

Certificate of Warranty

Warranty for One Year Free Service

Dear Customer,
We thank you for purchasing this ORPAT World class Hand Blender with a quality which is higher than the price paid by you.

ASSURANCE :

Ajanta LLP assures you that this ORPAT Hand Blender is manufactured under strict quality control by expert technicians. All Plastic parts used are made of Virgin high strength engineering material and moulded in Advanced Micro Processor Controlled Moulding Machines.

WARRANTY CONDITIONS :

1. This ORPAT Hand Blender Motor has only warranted for the period of 1 year from the date of purchase against any manufacturing defects arising during the period of warranty. This warranty is only for India.
2. If this ORPAT Hand Blender develops any defect during the period of warranty, it will be repaired at free of charge.
3. If this ORPAT Hand Blender develops any defect during the period of warranty, please bring the same with the warranty card / Sales Receipt to the Dealer from whom the Hand Blender is purchased or contact customer care number, at your own expenses.
4. The defective product should be brought to the dealer at the consumer's cost.
5. This warranty is valid only if this card is duly signed and stamped by our dealer and is produced along with the original customer's copy of the purchase bill.
6. The motor of this appliance is warranted for 1 year against all manufacturing defect.
7. In any event, if the company becomes liable for damages incurred in connection with this agreement, then the liability of the company will be limited to the amount equal to the sale invoice amount paid by you.
8. The appliance is meant for domestic use only.
9. Parts repaired or replaced under this warranty are warranted only for the remainder of the original warranty period, that is no fresh warranty period shall commence for the said replaced / repaired part.
10. Liability under terms of warranty is limited to the value of the repairs / replacement of the parts found to be defective with in the warranty period. All parts which are replaced shall have become the property of the company.
11. This warranty is issued at Morbi and courts at Morbi shall have exclusive jurisdiction over matter by or following from this warranty. In case of any dispute, arising out of this the same shall be settled by an arbitrator, in accordance with the provisions of arbitration and conciliation Act, 1996.
12. The customer is requested to preserve the original invoice for necessary verification and product the same, as and when required.

WARRANTY DOES NOT COVER :

- ❑ If the product has not been installed, used and maintained in accordance with the instruction manual.
- ❑ If the Model No., Serial No. or production date code on the product or any part there of has been deleted, defaced, damaged, altered, obliterated or tempered with or removal for any reason whatsoever.
- ❑ If the warranty card is not completely filled, signed & stamped on the purchase of the product.
- ❑ Plastic parts, Metal parts and Rubber parts which are breakable, are not covered under this warranty.
- ❑ Damages caused during transshipment, handling and the defect caused due to natural climatic.
- ❑ Coupler, Supply cord, Switch and Blade with Shaft assembly are not covered under this warranty.
- ❑ Damage resulting from accident, mishandling or negligence on part of the customer and fluctuation in supply voltage.
- ❑ Damage related to Chipping, Peeling, Planting and Denting.
- ❑ Normal wear and tear of parts.
- ❑ If the Hand Blender is tampered with or opened by any unauthorized person, the warranty is void.
- ❑ In case the Proof of Purchase has been altered or tempered with any manner whatsoever or has made illegible.

Customer Care Information

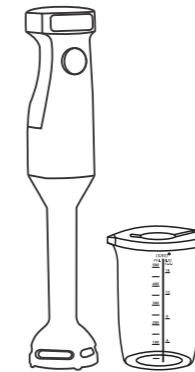
Ajanta LLP

Orpat Industrial Estate, Rajkot Highway
Morbi - 363641. INDIA
Customer Care Tel No:+91 2822 230491
Email: customercare@orpatgroup.com
www.orpatgroup.com
ISO 9001 & 14001 Certified Company

ORPAT®

INSTRUCTION MANUAL CUM WARRANTY CARD

Hand Blender



HHB - 100E (WITH BOWL)

Model No.	
Serial No.	
Colour	

Purchase Date	(DD)	(MM)	(YYYY)
Bill No.			
Customer Name & Address			

Dealer Name

Dealer's Signature & Stamp	Customer's Signature

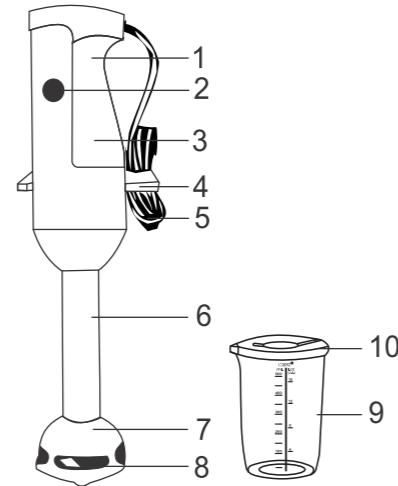
I accept the Terms & Condition of the Warranty

We welcome your valuable suggestions, if any to improve our Products & Services. Please mail us at customercare@orpatgroup.com

FOR PRODUCT SERVICE

Call Customer Care No. : +91 - 2822-230491 (9:00 AM to 6:00 PM)

KNOW YOUR ORPAT HAND BLENDER



(1) Grip (2) Switch (3) Body (4) wall Bracket (5) Power Cord (6) Bar (7) Blade Guard (8) Blade (9) Bowl (10) Bowl Cover

TECHNICAL DETAILS

Product	: Hand Blender
Model	: HHB-100E (WITH BOWL)
Voltage	: 230V, AC, 50Hz, 1Ø
Wattage	: 250W (Max.)
Speed	: One Speed
Rating	: 6 min ON \ 3 min OFF
Switch	: Spring loaded push to on switch

FEATURES AND BENEFITS

Light Weight	: Easy to use hold or store
Switch	: Spring loaded for safety
Blade	: Fixed multi - purpose not to be changed for various functions.
Fixture	: Elegant fixture to add to your kitchen decor.

FEATURES

1. Sleek - Slim easy to use
2. Body-Strong Hi-Temperature Plastic Body can smash boiling pulse
3. Motor - Low Power consumption & low noise.
4. Wash-Easy to Wash.
5. Store - Wall Mounting.
6. Specially designed multi-purpose Blade - fixed universal - multipurpose
7. Long power cord.
8. Spring loaded smooth & safe Switch.
9. Elegant Design adds kitchen decor.
10. Use-Food cooking on fire can be smashed.
11. Bowl - Unbreakable food grade.
12. Low power consumption saves electricity.

IMPORTANT SAFE GUARDS

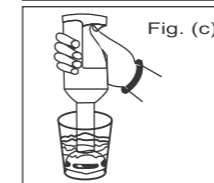
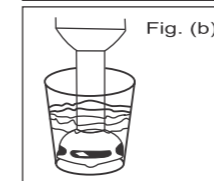
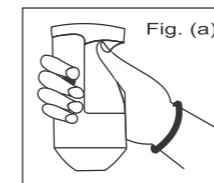
Please read the following instructions carefully while positioning of the appliance and before switching on the appliance.

1. Connect the appliance only to 230V, 50Hz, 1Ø AC power supply.
2. To protect against electrical shock. Do not put motor body, cord or electrical plug of this appliance in water or other liquid. This may cause personal injury and/or damage to the product
3. Unplug from outlet when not in use and before cleaning. To unplug grasp plug and pull from electrical outlet. Never pull cord.
4. Use a tall container or make small quantities to avoid spilling.
5. Blade is sharp. Handle carefully when cleaning.
6. Do not touch the blade, especially when the appliance is plugged in, as the blade is very sharp.
7. Do not let any cord hang over the edge of the table or counter. Do not let cord contact hot surfaces, including stove top.
8. Avoid contact with moving parts. During operation Keep hands, hair, clothing, as well as spatulas and other utensils away from attachments during operations to avoid injury and / or damage to the blender.
9. Hard food such as raw vegetables (carrots etc.) should be cut into small pieces before crushing.
10. Do not operate appliances with a damaged cord, or plug or in case of malfunctioned, contact your nearest dealer for inspection and repairs.
11. Keep the appliance away from children.
12. Clean the appliance after every use. Unplug the cord and rinse the guard and blade under running water.
13. Put one drop of edible oil at shaft once in a month or if blender is not used for long time.
14. The appliance is not intended for use by person (including children) with reduced physical, sensory or mental capabilities, or lack of experience and knowledge, unless they have been given supervision or instruction concerning use of the appliance by a person responsible for their safety.
15. Press switch completely to avoid sparking and damage to switch.
16. Always unplug the blender before cleaning.
17. Never touch the blade while the appliance is plugged in.
18. Never use a damaged hand blender. Get it checked or repaired.
19. Do not operate this appliance with an external timer or remote control system.
20. Switch on the appliance only after putting it into a jug with flat bottom.
21. **Danger of electric shock!** Do not attempt to repair the appliance yourself, in case of malfunction; repairs are to be conducted by qualified persons only.
22. **Warning!** During cleaning or operation do not immerse the electrical parts of the appliance in water or other liquids. Never hold the appliance under running water
23. **Danger of burns!** Do not use the appliance during the cooking process, with boiling liquids or hot fat
24. Never use accessories which are not recommended by the manufacturer. They could pose a safety risk to the user and might damage the appliance. Only use original parts and accessories.

26. With heavy mixtures, don't use hand blender for longer than 30 seconds in any minute period-it'll overheat.

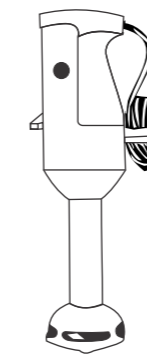
27. **Caution! Your blender has a powerful motor but should always be used intermittently. Never use for more than 6 minutes continuously after that switch off the blender and allow the motor to cool down.**

OPERATING INSTRUCTIONS



- Wash the jar and wipe the HHB-100E (WITH BOWL) with soft cloth.
- Put the food to be processed into jar or any other utensils.
- Plug the cord into 5 Amp. two pin plug.
- Hold HHB-100E (WITH BOWL) as shown in fig. for proper grip.
- When the Jar is used, ensure level of contents between 100ml. & 400ml.
- Lower the Blender into the jar till it touches the bottom as shown in fig.
- Press the switch for effective process, switch the blender as shown in fig. with up down motion too.

MOUNTING ON THE WALL



- HHB-100E (WITH BOWL) can be kept nearer to you in the kitchen and also nearer to the socket for easy plug in.
- Mounting should be away from water, heat (Gas/stove etc) and sunlight.
- Mounting bracket with screw is provided with this pack.
- Drill holes and mount the bracket using grip & screws provided with HHB-100E (WITH BOWL) Let bracket rest as shown in fig.
- Please see that the main cord does not hang loose and is kept as shown in fig.

APPLICATION

- Blending-Mixing two or more ingredients together at high speed.
- Shaking-To mix milk with a flavoring ice cream or fruit & stirring the mixture very fast.
- Grating- To Grate ingredients to small particles.
- Juicing- To obtain juice from fruit & vegetables by crushing or pulverizing them. then filtering to separate pulp.
- Mashing-It processes or crushes the boiled potatoes.