

User Manual of Product 1:

Ninja Blender and Soup Maker [HB150UK] 1000 W, 1.7 Litre Jug, Black

User Manual of Product 2:

Ninja Professional Chopper [NJ1002UKBK] Stackable, 200W, Black

NINJA®

HB150UK Series

INSTRUCTIONS

BLENDER & SOUP MAKER




ninjakitchen.eu

THANK YOU

for purchasing the Ninja® Blender & Soup Maker



REGISTER YOUR PURCHASE

 registeryourninja.com

 Scan QR code using mobile device

RECORD THIS INFORMATION

Model Number: _____

Serial Number: _____

Date of Purchase: _____
(Keep receipt)

Store of Purchase: _____

TECHNICAL SPECIFICATIONS

Voltage: 220-240V, 50-60Hz

Watts: 1000W

PLEASE READ CAREFULLY AND KEEP FOR FUTURE REFERENCE.

These instructions are designed to help you get a complete understanding of your new Ninja® Blender & Soup Maker

If you have any questions, please call our Customer Service line on 0800 862 0453.

GUARANTEE: This product is unconditionally guaranteed for one year against all defects of workmanship and materials. This guarantee does not affect your statutory rights. If this product proves unsatisfactory please contact our customer service department on freephone 0800 862 0453.

CONTENTS

Product Registration	1
Important Safety Instructions	3
Parts	5
Features	6
Auto-iQ® Programs.....	6
MANUAL Settings.....	6
Before First Use	7
Handling the Blender Jug	8
Getting started with your Blender & Soup Maker	9
Assembly	9
Auto-iQ Programs.....	10
Manual Cook.....	10
Manual Blend	10
Care & Maintenance	11
Cleaning	11
Storing.....	11
Resetting the Motor	11
Ordering Replacement Parts	11
Display Screen & Error Messages	12
Troubleshooting Guide	13



This marking indicates that this product should not be disposed with other household wastes throughout the EU. To prevent possible harm to the environment or human health from uncontrolled waste disposal, recycle it responsibly to promote the sustainable reuse of material sources. To return your used device, please use the return and collection systems or contact the retailer where this product was purchased. They can take this product for environmental safe recycling.

IMPORTANT SAFETY INSTRUCTIONS

PLEASE READ CAREFULLY BEFORE USE • FOR HOUSEHOLD USE ONLY

⚠ WARNING

To reduce the risk of injury, fire, electrical shock or property damage, basic safety precautions must always be followed, including the following numbered warnings and subsequent instructions.

Extreme caution must be used when moving an appliance containing hot oil or other hot liquids.

Do not use appliance for other than intended use.

- 1 Read all instructions prior to using the appliance and its accessories.
- 2 Carefully observe and practice all warnings and instructions. This unit contains electrical connections, moving parts, and heating elements that potentially present risk to the user.
- 3 Take your time and exercise care during unpacking and appliance setup.
- 4 Take inventory of all contents to ensure you have all parts needed to properly and safely operate your appliance.
- 5 Blades are sharp. Handle carefully.
- 6 Turn the appliance **OFF**, then unplug the appliance from the socket when not in use, before assembling or disassembling parts, and before cleaning. To unplug, grasp the plug by the body and pull from the socket. **NEVER** unplug by grasping and pulling the flexible cord.
- 7 Wash all parts that may contact food before use. Follow washing instructions covered in this instruction manual.
- 8 To protect against the risk of electric shock, **DO NOT** submerge the appliance or allow the power cord to contact any form of liquid.
- 9 **DO NOT** use this appliance outdoors. It is designed for indoor household use only.
- 10 **DO NOT** operate any appliance with a damaged cord or plug, or after the appliance malfunctions or is dropped or damaged in any manner. This appliance has no user-serviceable parts. If damaged, contact SharkNinja for servicing.
- 11 This appliance has important markings on the plug blade. The entire supply cord is not suitable for replacement. If damaged, please contact SharkNinja for service.
- 12 Extension cords should not be used with this appliance.
- 13 **DO NOT** allow children to operate this appliance or use as a toy. Close supervision is necessary when any appliance is used near children.
- 14 This appliance is not intended to be used by people with reduced physical, sensory, or mental capabilities, or lack of experience and knowledge, unless they have been given supervision or instruction concerning use of the appliance by a person responsible for their safety.
- 15 Cleaning and user maintenance shall not be carried out by children.
- 16 Keep the appliance and its cord out of reach of children.
- 17 Before each use, inspect blade assemblies for damage. If a blade is bent or damage is suspected, contact SharkNinja to arrange for replacement.
- 18 **DO NOT** attempt to sharpen blades.
- 19 **DO NOT** let cord hang over edge of table or worktop or touch hot surfaces.
- 20 **DO NOT** allow the unit or the cord to contact hot surfaces, including stoves and other heating appliances.
- 21 **DO NOT** place on or near a hot gas or electric burner or in a heated oven.
- 22 **ALWAYS** use the appliance on a dry and level surface.
- 23 Keep hands, hair, and clothing out of the container when loading and operating.

SAVE THESE INSTRUCTIONS

- 24 **ONLY** use attachments and accessories that are provided with the product or are recommended by SharkNinja. The use of attachments, including canning jars, not recommended or sold by SharkNinja may cause fire, electric shock, or injury.
- 25 The appliance is only to be used with the stand provided.
- 26 During operation and handling of the appliance, avoid contact with moving parts.
- 27 **DO NOT** operate the appliance with an empty container.
- 28 **DO NOT** fill containers past the max fill or max liquid lines.
- 29 **DO NOT** microwave any containers or accessories provided with the appliance.
- 30 Before operation, ensure all utensils are removed from containers. Failure to remove utensils can cause containers to shatter and potentially result in personal injury and property damage.
- 31 Keep hands and utensils out of container while blending to reduce the risk of severe injury to persons or damage to the blender. A rubber scraper or spatula may be used but must be used **ONLY** when the blender is not running.
- 32 **NEVER** operate the appliance without lids and caps in place. **DO NOT** attempt to defeat the interlock mechanism. Ensure the container and lid are properly installed before operation.
- 33 **DO NOT** expose the containers and accessories to extreme temperature changes. They may experience damage.
- 34 **NEVER** leave the appliance unattended while in use.
- 35 **ALWAYS** operate blender with cover in place.
- 36 Be careful if hot liquid is poured into the blender as it can be ejected out of the appliance due to a sudden streaming.
- 37 Allow to cool before assembling or disassembling parts and before cleaning appliance.
- 38 **DO NOT** grasp the sides of the pitcher after hot blending or cooking. The surface of the pitcher is hot during and after operation. Surfaces are hot during and after operation. To prevent burns or personal injury, **ALWAYS** use protective hot pads or insulated oven mitts and use available handles and knobs.
- 39 If you find unmixed ingredients sticking to the sides of the pitcher, stop the appliance, remove the lid, and use a rubber scraper or spatula to dislodge ingredients. **NEVER** insert your hands into the pitcher, as you may contact one of the blades and experience a laceration.
- 40 **DO NOT** attempt to remove the container and lid from the motor base while the motor is still spinning. Allow the appliance to come to a complete stop before removing the lid and pitcher.
- 41 If the appliance overheats, a thermal switch will activate and temporarily disable the motor. To reset, unplug the appliance and allow it to cool for approximately 15 minutes before using again.
- 42 The maximum wattage rating for this appliance is based on the configuration of the high speed bottom blade and glass pitcher blender. Other configurations may draw less power or current.
- 43 Turn off the appliance and unplug the motor base before cleaning.



Indicates to read and review instructions to understand operation and use of product.



Indicates the presence of a hazard that can cause personal injury, death or substantial property damage if the warning included with this symbol is ignored.

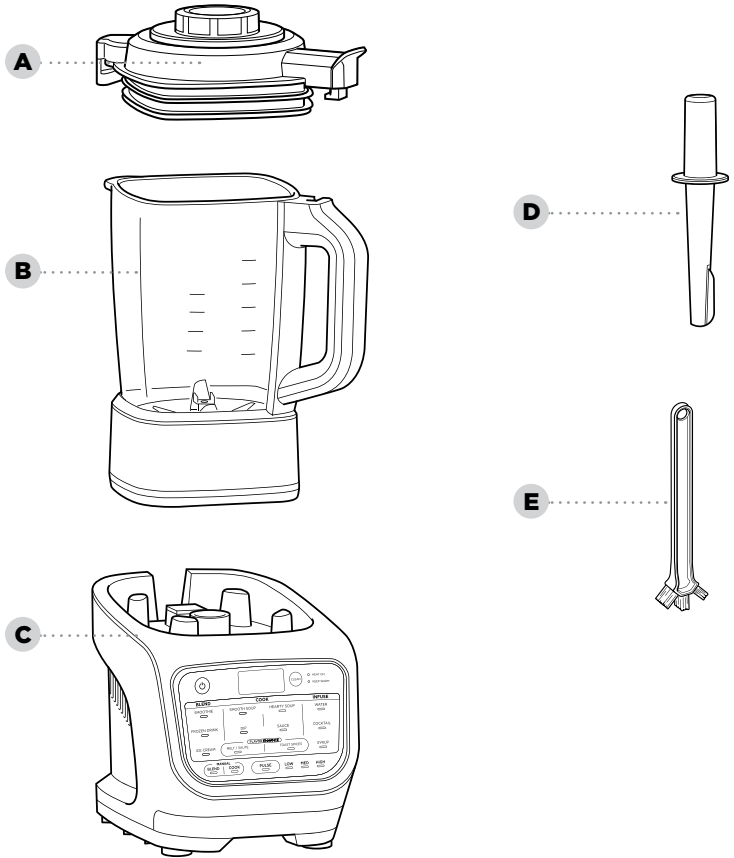


Take care to avoid contact with hot surface. Always use hand protection to avoid burns.



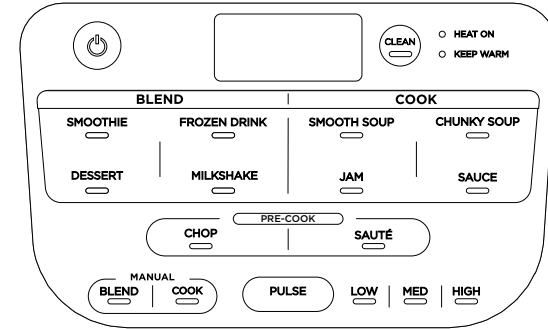
For indoor and household use only.

PARTS



- A** Jug Lid with Removable Centre Cap
- B** 1.7L Glass Jug with Built-in Heating Element
- C** Motor Base
(power cord not shown)
- D** Tamper
- E** Cleaning Brush

FEATURES



 The power symbol should be used to turn your appliance on or off.

AUTO-iQ® PROGRAMS:

Features intelligent programs that combine unique pulsing, blending, pausing, and heating patterns that do the work for you.

SMOOTHIE

Combine your favourite fresh or frozen ingredients, liquids and powders.

DESSERT

Use your favourite frozen fruit and dairy to make sorbets and frozen treats.

FROZEN DRINK

Crush ice and frozen fruit into restaurant style frozen drinks.

MILKSHAKE

Blend milks and your favourite flavours for a frothy milkshake.

SMOOTH SOUP

Cook and blend your favourite smooth soups.

CHUNKY SOUP

Create homemade soup with more texture.

JAM

Make your own fruit jams with texture or strain afterwards for a smooth result.

SAUCE

Create sweet or savoury sauces and fondues.

CHOP

Quickly chop up ingredients before making soups, sauces and dips.

SAUTE

Unlock more flavour by quickly cooking onions, garlic, spices and more before making a homemade soup, sauce or dip.

MANUAL SETTINGS:

BLEND

Select BLEND then choose your speed setting. LOW, MED and HIGH will run for 60 seconds or until manually stopped.

COOK

Select COOK, then choose either LOW, MED or HIGH temperature. The setting will run for 60 minutes or until manually stopped.

OTHER FEATURES:

POWER BUTTON

Use to turn the unit on or off.

CLEAN

Combines heat and rapid pulses to remove stuck-on messes.

HEAT ON

Light will turn on when you have selected a program or function that uses heat.

KEEP WARM

Light will turn on after cooking and the unit will keep contents warm for up to 60 minutes.

BEFORE FIRST USE

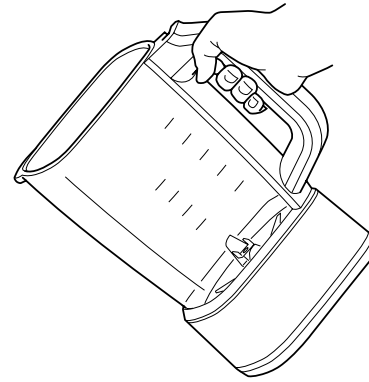
IMPORTANT: Review all warnings located at the beginning of this manual before proceeding.

- 1 Remove all packaging material and labels from the appliance. Separate all parts from each other.
- 2 Wash the jug, lid, and accessories in warm, soapy water using a dishwashing utensil with a handle to avoid direct contact with the blades. **DO NOT** submerge the jug when washing.
- 3 Thoroughly rinse and air-dry all parts

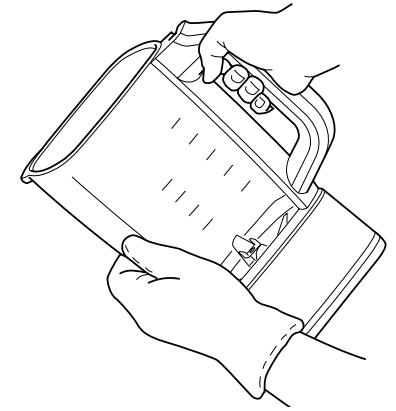
NOTE: Follow cleaning instructions on page 12 very carefully. **NOTE: DO NOT** submerge the jug when washing.

HANDLING THE BLENDER JUG

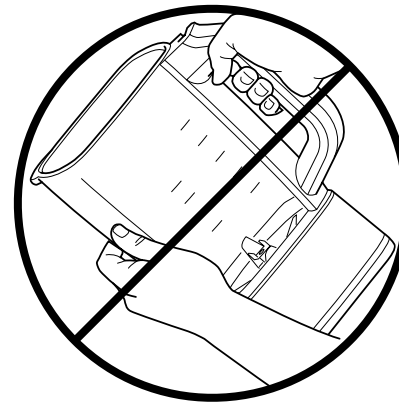
LIFTING AND POURING FROM THE JUG



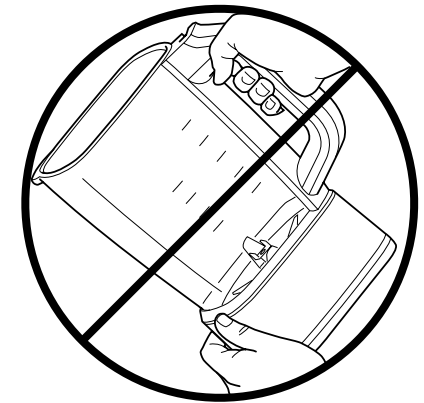
Firmly grasp the handle with one hand and carefully pour out ingredients.



NOTE: If jug feels too heavy in one hand, use a protective mitt or glove and support the jug weight with your other hand.



DO NOT grasp the sides of the jug after hot blending or cooking. The surface of the jug is hot during and after operation. Surfaces are hot during and after operation. To prevent burns or personal injury, **ALWAYS** use protective hot pads or insulated oven mitts and use available handles and knobs.



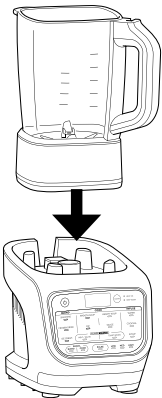
DO NOT grasp the underside of the jug after hot blending or cooking. The surface of the jug is hot during and after operation. Surfaces are hot during and after operation. To prevent burns or personal injury, **ALWAYS** use protective hot pads or insulated oven mitts and use available handles and knobs.

GETTING STARTED WITH YOUR BLENDER & SOUP MAKER

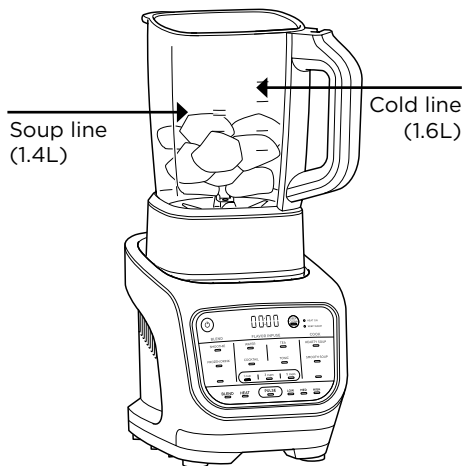
IMPORTANT: Review all warnings before proceeding.

ASSEMBLY

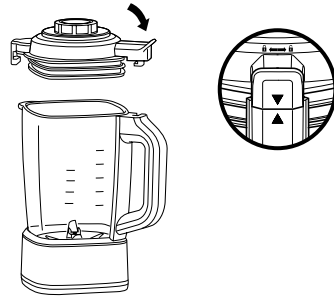
- 1 Plug in motor base and place on a clean, dry, level surface such as a worktop or table.
- 2 Lower the jug onto the motor base, aligning the handle to the arrow on the front right corner of the base.



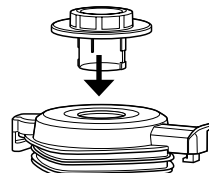
- 3 Add ingredients, making sure not to exceed the max fill lines on the side of the jug. In COOK modes, **DO NOT** exceed the level labelled HOT in BLEND mode, **DO NOT** exceed the level labelled COLD.



- 4 To install the lid on the jug, place the lid tab to the right of the handle. Press the lid down until it is secure. Rotate the tab clockwise so the arrow on the lid tab aligns with the arrow on the jug handle.



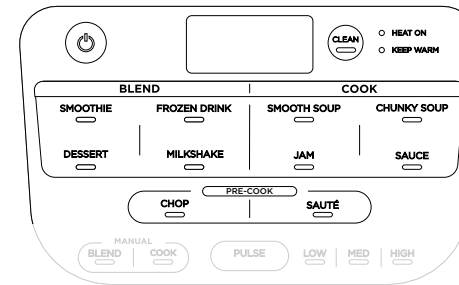
- 5 Secure the centre cap by placing it down into the lid and twisting clockwise until it clicks into place.



- 6 To remove the lid from the jug, rotate the lid anti-clockwise out of the lock position and lift up.

NOTE: After heated programs, steam may release as the lid is removed. Keep hands on the outer tabs and lift directly up.

AUTO-IQ® PROGRAMS

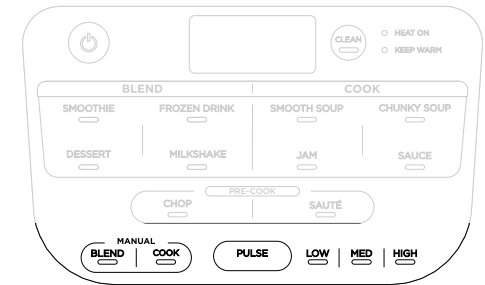


- 1 To begin, press the Power button.
- 2 Press the program of your choice from the BLEND, COOK or PRE-COOK sections.
- 3 The Heat On light will turn on if the selected program uses heat.

TIP: When making thicker recipes such as ice creams and dips, use the tamper to push ingredients towards the blades. Tamper should only be used when lid is attached to jug. Remove center cap and replace with tamper.

NOTE: The unit will beep 3 times to alert you that the program is going to stir ingredients. Make sure center cap is secure during use.

MANUAL SETTINGS



MANUAL BLEND

Manual Blend speeds give you ultimate control over your blend.

- 1 To begin, press the Power button.
- 2 Choose BLEND to unlock speed options.
- 3 Select LOW, MED, HIGH, or PULSE to begin blending.

NOTE: The Pulse setting will run only when the PULSE button is pressed.

MANUAL COOK

Manual Cook settings puts the control in your hands.

- 1 To begin, press the Power button.
- 2 Choose COOK to unlock temperature options.
- 3 Select LOW, MED, or HIGH to begin cooking.
- 4 Timer will count up to 60 seconds or until manually stopped.

NOTE: You can press PULSE during Manual Cook mode to gently stir ingredients.

NOTE: For best results, quickly PULSE ingredients periodically during cooking to distribute heat and promote even cooking.

CARE & MAINTENANCE

CLEANING

Wait for all parts to cool before cleaning. Separate all parts.

Hand-Washing

Wash the jug, lid, and tamper with warm, soapy water. Use the included cleaning brush to avoid direct contact with the blades.

NOTE: DO NOT submerge the blender jug. Submerging will damage the integrated heating element.

Dishwasher

The lid, centre cap and tamper are dishwasher safe.

NOTE: DO NOT wash the blender jug in the dishwasher. Dishwashing will damage the integrated heating element.

Motor Base

Press the power button to turn off the unit, then unplug the motor base. Wipe motor base with a clean, damp cloth.

CLEAN

A combination of heat and rapid pulses easily removes residue from the nonstick coating in minutes

- 1 Fill jug with 700ml of water and 2 small drops of washing up liquid.
- 2 Place the lid on the jug and ensure it is properly closed.
- 3 Press CLEAN.
- 4 When the program is complete, discard the water and thoroughly rinse the jug.

TIPS FOR BEST CLEANING RESULTS:

- 1 Give the jug a quick rinse before running the CLEAN program.
- 2 Run the CLEAN program immediately after use.

STORING

Store the unit upright with the lid secured on the jug.

NOTE: DO NOT stack items on top of the unit. Store any remaining attachments alongside the unit or in a cabinet where they will not be damaged or create a hazard.

RESETTING THE MOTOR

This unit features a unique safety system that prevents damage to the motor by temporarily disabling the motor if it begins to overheat. Should this occur, follow the reset procedure below.

- 1 Unplug the unit from the socket.
- 2 Allow the unit to cool for approximately 15 minutes before using.

IMPORTANT: Ensure that maximum capacities are not exceeded. This is the most typical cause of appliance overload.

ORDERING REPLACEMENT PARTS

To order additional parts and attachments, visit ninjakitchen.eu

ERROR MESSAGES

DISPLAY SCREEN MESSAGES

“Lid”

The lid is not assembled correctly. Be sure the lid is on the jug and locked in place before running a program.

“Jar”

The jug is properly attached to the base. Be sure the jug is secured in the base before selecting a program.

“---” Blinking

You are attempting to run a program too many times in a row. For your safety, certain programs may be run only 2 consecutive times.

NOTE: DO NOT attempt to remove the jug while the blender is running. Wait for the blades to stop spinning before removing the jug.

ERROR MESSAGES

“E01” or “E02”

Remove and reinstall the jug. If that does not solve the issue, contact Customer Service. So we may better assist you, please register your product online at registeryourninja.com and have the product on hand when you call.

VISIT US ONLINE AT:

ninjakitchen.eu

Or follow us on any of our social media pages:



@ninjakitchenuk



Euro-Pro Europe Limited
3150 Century Way
Thorpe Park
Leeds, LS15 8ZB

0800 862 0453
ninjakitchen.eu

Illustrations may differ from actual product. We are constantly striving to improve our products, therefore the specifications contained herein are subject to change without notice.

NINJA and Auto-iQ® are registered trademarks of SharkNinja Operating LLC.

© 2019 SharkNinja Operating LLC

HB15OUK_IB_MP_190828_Mv1
PRINTED IN CHINA



NINJA®

Professional Stackable Chopper

NJ1002UK series

OWNER'S GUIDE



IMPORTANT SAFETY INSTRUCTIONS

For Household Use Only

WHEN USING ELECTRICAL APPLIANCES, BASIC SAFETY PRECAUTIONS SHOULD ALWAYS BE FOLLOWED, INCLUDING THE FOLLOWING:

READ ALL INSTRUCTIONS BEFORE USING YOUR NINJA® PROFESSIONAL STACKABLE CHOPPER.

IMPORTANT: This appliance is not intended for use by persons with reduced physical, sensory or mental capabilities, or lack of experience and knowledge, unless they have been given supervision or instruction concerning use of the appliance by a person responsible for their safety.

Children shall not use or play with this appliance. Close supervision is necessary to keep appliance and cord out of reach of children during use.

⚠ WARNING:
TO REDUCE THE RISK OF FIRE, ELECTRIC SHOCK OR INJURY:

1. To protect against electric shock, **DO NOT** immerse cord, plug or any part of the main unit in water or any other liquids.
2. Check that the voltage indicated on the rating plate corresponds with that of the local network before connecting the appliance to the mains power supply.
3. **DO NOT** allow young children to operate the appliance or use as a toy. Close supervision is necessary when any appliance is used near children.
4. **DO NOT** let the power cord hang over the edge of table or counter, or touch hot surfaces, including the stove.
5. **DO NOT** use with damaged cord or plug.
6. **DO NOT USE** if the appliance is not working, has been dropped, dropped into water, damaged or left outdoors.
7. **NO SERVICEABLE PARTS.** Incorrect re-assembly or repair can cause a risk of electrical shock or injury to persons when the appliance is used. Contact Customer Service.
8. This appliance contains no user-serviceable parts. All repairs should only be carried out by a qualified engineer. Improper repairs may place the user at risk of harm.
9. Remove the power cord from the mains power supply when not in use, before assembling or disassembling parts, and before cleaning.
10. **DO NOT** abuse the power cord. Never carry the appliance by the power cord. To unplug the appliance from the mains power supply, grasp the plug and not the cord and pull to disconnect.

11. **DO NOT** leave the appliance unattended whilst connected to the mains power supply.
 12. **DO NOT** operate this appliance on or near any hot surfaces (such as gas or electric burners or in a heated oven).
 13. The use of accessory attachments, not sold or recommended by the manufacturer may cause fire, electrical shock or risk of personal injury.
 14. Extreme caution must be used when moving an appliance containing hot food, water or other liquids.
 15. **CAUTION: DO NOT PROCESS HOT FOODS OR HOT LIQUIDS.** Allow hot ingredients to cool before processing.
 16. Always use this appliance on a dry, level and stable surface.
 17. **DO NOT** remove the motor head before the chopping blades have stopped turning.
 18. **CAUTION!** Chopping blades are sharp, handle with care, especially when removing the blade from the bowl, emptying the bowl and during cleaning. When handling the chopping blades, always hold by the plastic shaft.
 19. **DO NOT attempt to sharpen blades.**
 20. **DO NOT** expose containers to extreme temperature changes.
 21. **DO NOT** use containers if they are cracked or chipped.
 22. **DO NOT** use the appliance if chopping blades are bent or damaged.
 23. Avoid contact with moving parts at all times. Keep hands, hair, clothing as well as spatulas and other utensils away from moving/cutting blades and containers during operation to prevent risk of severe personal injury and/or damage to the appliance. A scraper may be used but must be used only when the appliance is not running.
 24. **CAUTION: DO NOT BLEND HOT LIQUIDS.**
 25. Immediately release the On/Off pulse button on the motor head in the event that the appliance malfunctions during use.
 26. To reduce the risk of injury, **NEVER** operate the appliance without the splash guard and bowl in place; **DO NOT** try to defeat the interlock mechanism; make sure that the cutting blades are properly assembled before operating the appliance.
 27. **THIS PRODUCT IS INTENDED FOR HOUSEHOLD USE ONLY. DO NOT** use outdoors.
 28. **DO NOT** use appliance for other than intended use.
 29. **DO NOT** operate the appliance for more than 15 seconds.
 30. **DO NOT** operate the appliance empty.
 31. **DO NOT** overfill.
 32. If the appliance overheats, a thermal switch will become activated and shut off the motor. To reset, unplug the appliance and let it cool down for approximately 10 minutes before using again.
 33. Be certain cover is secured in place before operating the appliance.
- ⚠ WARNING:** Extension cords are not recommended for use with this product.

SAVE THESE INSTRUCTIONS

This appliance complies with the WEEE-Directive 2012/96/EC on the disposal of electrical and electronic equipment (WEEE).



This marking indicates that this product should not be disposed with other household wastes throughout the EU. To prevent possible harm to the environment or human health from uncontrolled waste disposal, recycle it responsibly to promote the sustainable reuse of material sources. To return your used device, please use the return and collection systems or contact the retailer where this product was purchased. They can take this product for environmental safe recycling.

This appliance complies with the European directives for electromagnetic compatibility (EMC) 2014/30/EU and its revisions, as well as Low Voltage Directive (LVD) 2014/35/EU and its revisions.

Guarantee: This product is unconditionally guaranteed for one year against all defects of workmanship and materials. This guarantee does not affect your statutory rights. If this product proves unsatisfactory please contact our customer service department on freephone 0800 862 0453 or by e-mail ukservice@euro-pro.com.

THIS BOOK COVERS MODEL NUMBERS:

NJ1002UKBK 30

NJ1002UKCR 30

NJ1002UKRD 30

TECHNICAL SPECIFICATIONS

Voltage: 220-240V~, 50/60Hz.

Power: 200 Watts

Bowl Capacity: 500 ml

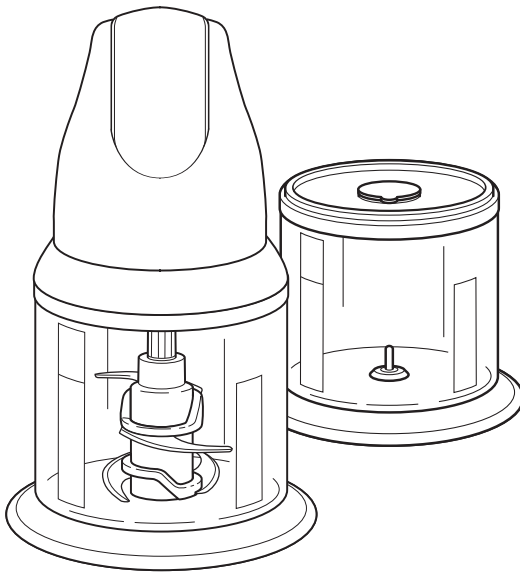
CE



Contents

**Thank you for
purchasing
the Ninja®
Professional
Stackable
Chopper.**

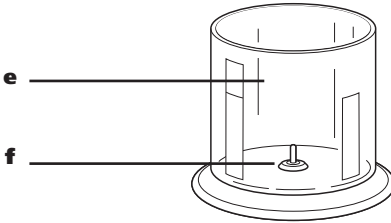
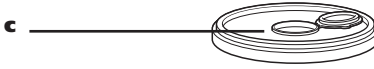
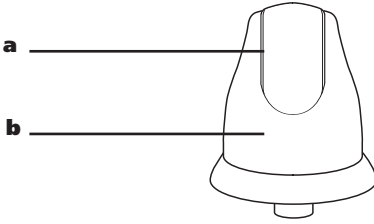
Getting Started	5
Using the Ninja® Professional Stackable Chopper.....	7
Cleaning and Maintenance	9
Troubleshooting Guide.....	9



FEATURES:

- One touch pulse for precise control
- Processor Bowls - BPA Free
- Ninja® 4-blade technology
- Non slip base
- Stackable design for easy storage
- Seal tight storage lids / splash guards
- Dishwasher safe parts

Getting Started



a On/Off Pulse Button

b Power Head

c Splash Guard / Storage Lid (x2)

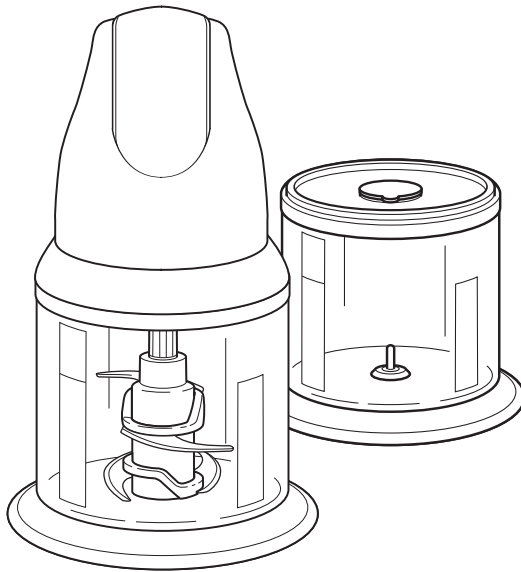
d Ninja® 4-Blade

e Processing Bowl with Non-Slip Base (x2)

f Spindle Pin

g Power Cord (not shown)

The **Ninja®** Professional Stackable Chopper is an essential tool that is perfect for chopping and pureeing when preparing your favorite recipes. For best results, be sure to carefully read all the instructions contained in the manual before using this appliance.

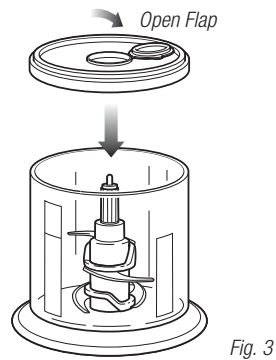
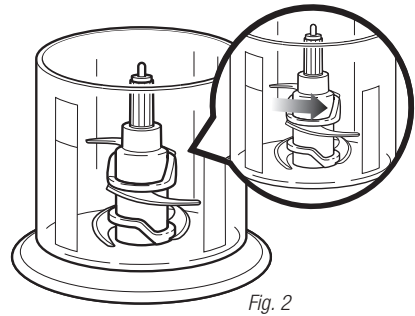
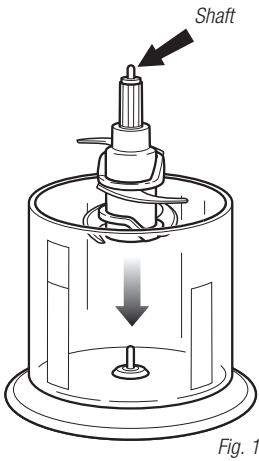


200 Watt Power Head

The 200 watt power head operates on 220-240V~, 50/60Hz. electrical power. **NEVER** allow the power head to become wet when plugged into the mains power supply

- ▲ **WARNING:** The power head should never be immersed in water or any other liquid.
- ▲ **CAUTION:** Make sure that the power head is unplugged from the mains power supply and that the blades have stopped turning before attaching or removing any accessory.
- ▲ **CAUTION:** **Blades are sharp! Handle with care, especially when removing the blade from the bowl, emptying the bowl and during cleaning Use extreme caution when handling the blades. Always hold them by the shaft. Do not attempt to sharpen blades.**
- ▲ **IMPORTANT:** Never run the appliance empty.

Using the Ninja® Professional Stackable Chopper



▲ **CAUTION:** Blades are sharp! Use extreme caution when handling the blades. Always hold them by the shaft.

▲ **CAUTION: DO NOT PROCESS HOT FOODS OR HOT LIQUIDS.** Allow hot ingredients to cool before processing.

▲ **IMPORTANT:** Never run the appliance empty.

1 Place the processor bowl on a clean, dry, level surface.

2 Holding the chopping blade by the shaft, carefully place it over the spindle pin inside the processing bowl. (Fig. 1)

▲ **IMPORTANT:** Always assemble the blades inside the container.

▲ **WARNING: DO NOT** try to place the blades onto the power head and then into the Ninja® Professional Stackable Chopper.

3 Carefully spin the blade anticlockwise to make sure that it has inserted properly. (Fig. 2)

4 Place the food ingredients into the bowl.

▲ **IMPORTANT:** Never add ingredients into the processing bowl before placing the blade assembly in first.

▲ **CAUTION: DO NOT** add ingredients past the 450 ml mark or 250 ml liquid ingredients as this may cause overflow.

5 Place the splash guard / storage lid on the bowl. (Fig. 3)

▲ **CAUTION: DO NOT** operate without the splash guard in place.

6 Open the flap on the splash guard. (Fig. 3)

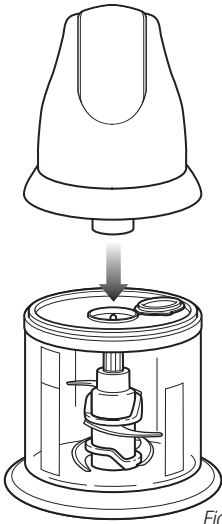


Fig. 4

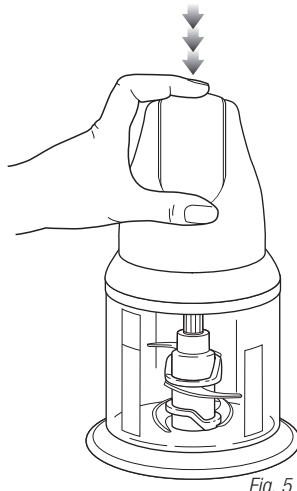


Fig. 5

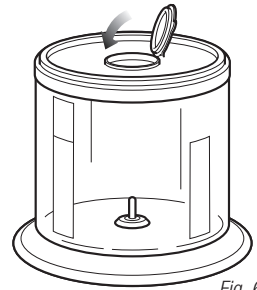


Fig. 6

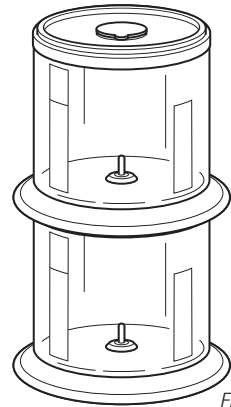


Fig. 7

- 7 Place the power head on top of the splash guard making sure that it is securely in place. **(Fig. 4)**
- 8 To start the appliance, plug the power cord into the mains power supply. While holding the power head, press down on the paddle located on top of the power head in short intervals. **(Fig. 5)**
- 9 Hold the bowl while pulsing the On/Off paddle to ensure the unit stays in place.
- ▲ **NOTE: DO NOT** operate the appliance continuously for more than 15 seconds at a time. Be careful not to over process. For coarsely chopped foods, use repeated short pulsing action until the desired consistency is reached.
- 10 To stop the appliance, remove your fingers from the on/off paddle.
- 11 For best results, press the on/off paddle in short pulses.
- 12 Make sure that the blades have stopped completely before removing the power head.
- 13 Remove the blade assembly by its shaft before you empty the contents of the processing bowl.
- 14 Place the storage lid onto the top of the processing bowl and close the flap to store. **(Fig. 6)**

Stacking & Storing

- Place the lid securely on the bowl and close the flap to store.
- Remove the chopping blade when storing the bowls with food inside.
- The bowls can be stacked for storing in the refrigerator or cabinet. **(Fig. 7)**

NOTE: The bowls do not lock together when stacked for storage. Be careful when removing stacked bowls from the refrigerator or cabinet.

- Use a dry erase marker to write the date or contents in the indicator area if so desired. To remove the dry erase marker, wipe clean with a damp cloth.

Cleaning and Maintenance

▲ **CAUTION:** Make sure that the power head is unplugged from the mains power supply before inserting or removing any attachment and before cleaning.

DO NOT immerse the power head into water or any other liquid. Clean with a damp sponge or cloth and wipe dry.

CLEANING: The processing bowls, splash guards/storage lids, and chopping blade are all dishwasher safe. Carefully place the parts on the top rack.

▲ **CAUTION:** Blades are very sharp.

Troubleshooting Guide

PROBLEMS	POSSIBLE REASONS & SOLUTIONS
Motor Doesn't Start or Blades Don't Rotate.	<p>Check that the bottom of motor head is clean and there is no food blocking connection when placing on containers.</p> <p>There is too much food in the container.</p> <p>The unit has overheated. Unplug and wait approximately 10 minutes before using again.</p> <p>Make sure the power head is securely placed on splash guard.</p> <p>Check that the plug is securely inserted into the mains power supply.</p> <p>Check fuse or breaker. Replace fuse/reset breaker.</p>
Food is Unevenly Chopped.	<p>Either you are chopping too much food at one time, or the pieces are too big. Try cutting the food into smaller pieces of even size and processing smaller amounts per batch.</p>
Food is Chopped Too Fine or is Too Watery.	<p>The food has been over processed. Use brief pulses or process for shorter time. Let blades stop completely between pulses.</p>



Euro-Pro Europe Limited
15 Mariner Court
Calder Park
Wakefield
WF4 3FL

Freephone 0800 862 0453

www.ninjakitchen.eu

Copyright © 2016 Euro-Pro Europe Limited

Euro-Pro and Ninja are trademarks of Euro-Pro Europe Limited.

Printed in China

Illustrations may differ from actual product. We are constantly striving to improve our products, therefore the specifications contained herein are subject to change without notice.

NJ1002UK_Series_30_IB_ENG_160201_1

CE

