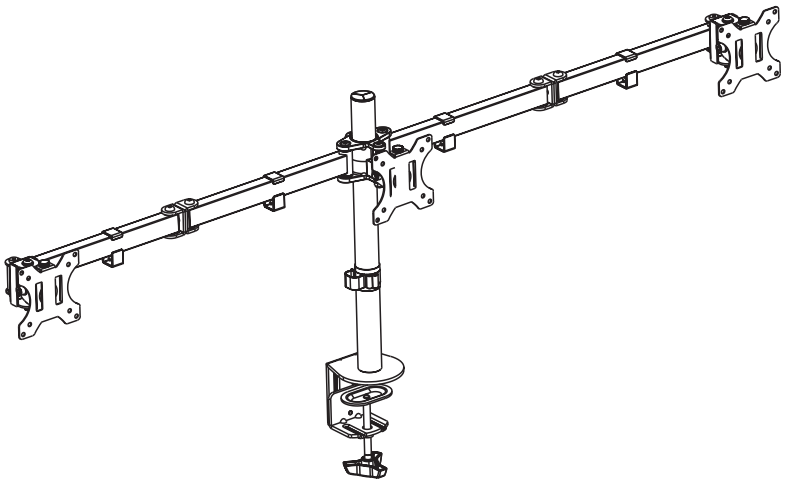


Triple Monitor Desk Mount

Instruction Manual



SKU: STAND-V003Y



Scan the QR code with your mobile device or follow the link for helpful videos and specifications related to this product.

<https://vivo-us.com/products/stand-v003y>

GET IN TOUCH | Monday-Friday from 7:00am-7:00pm CST



help@vivo-us.com



www.vivo-us.com
Chat live with an agent!



309-278-5303

WARNING!

If you do not understand these directions, or if you have any doubts about the safety of the installation, please call a qualified technician. Check carefully to make sure there are no missing or defective parts. Improper installation may cause damage or serious injury. Do not use this product for any purpose that is not explicitly specified in this manual. Do not exceed weight capacity. We cannot be liable for damage or injury caused by improper mounting, incorrect assembly or inappropriate use.

TIPOVER WARNING

SERIOUS OR FATAL CRUSHING INJURIES CAN OCCUR FROM TIPOVER. TO HELP PREVENT TIPOVER:

- NEVER ALLOW CHILDREN TO CLIMB, STAND, HANG, OR PLAY ON ANY PART OF MONITOR OR STAND.
- USE TIPOVER RESTRAINT OR ANCHOR STAND TO WALL

USE OF TIPOVER RESTRAINTS MAY ONLY REDUCE, BUT NOT ELIMINATE RISK OF TIPOVER.

WARNING: CHOKING HAZARD

SMALL PARTS - NOT FOR CHILDREN UNDER 3 YEARS. ADULT SUPERVISION IS REQUIRED.

PACKAGE CONTENTS



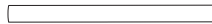
A (x3)
VESA Plate



B (x1)
Arm



C (x1)
Clamp



D (x1)
Pole



E (x1)
Cable Clip



F (x1)
Grommet
Base



G (x1)
Pole Cap



H (x3)
Bolt



I (x5)
Rubber Pad



J (x3)
Bolt



K (x1)
Support Plate



L (x1)
4mm Allen Key



M (x1)
5mm Allen Key



N (x1)
6mm Allen Key



M-A (x12)
M4x12



M-B (x12)
M4x16



M-C (x12)
M5x12



M-D (x12)
M5x16



M-E (x12)
D5 Washer



M-F (x12)
Spacer

NOTE: SOME HARDWARE INCLUDED MAY NOT BE USED

TOOLS NEEDED



DO NOT EXCEED WEIGHT CAPACITY.

Failure to do so may result in serious injury.



ASSEMBLY STEPS

STEP 1

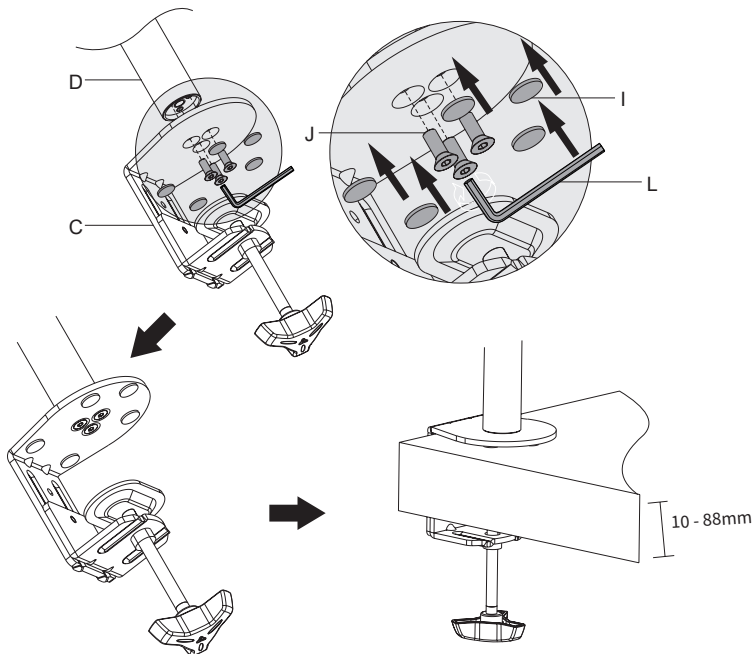
Attach pole cap (G) to top of pole (D).



STEP 2

OPTION A: Clamp Installation

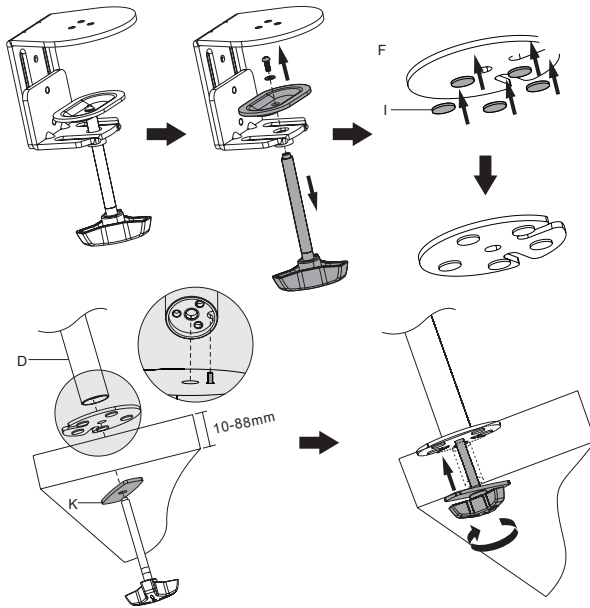
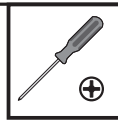
Mount pole (D) to clamp (C) with bolts (J) using 4mm Allen Key (L). Apply pads (I) to bottom of base, and clamp to desktop.



STEP 2 (Continued)

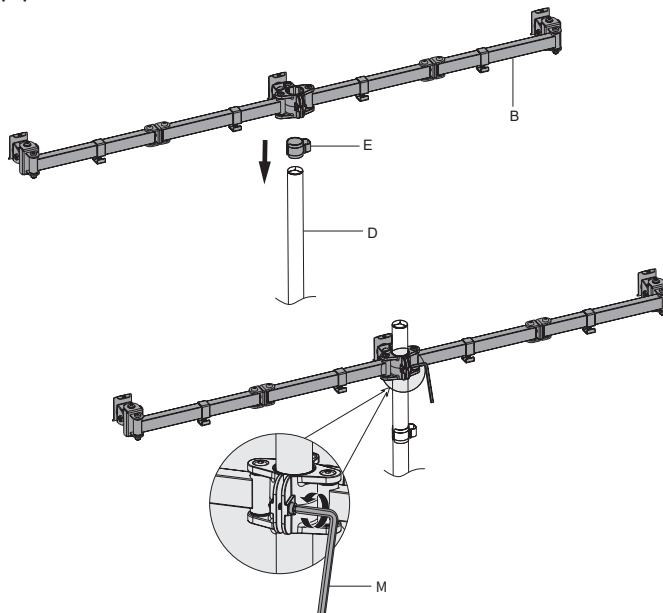
OPTION B: Grommet Base Installation

Remove screw from clamp bolt, and remove clamp bolt from clamp **(C)**. Align pin on top of grommet base **(F)** with the small hole on the bottom of pole **(D)**, position over hole in desktop, and install to desktop using clamp bolt and grommet plate **(K)**.



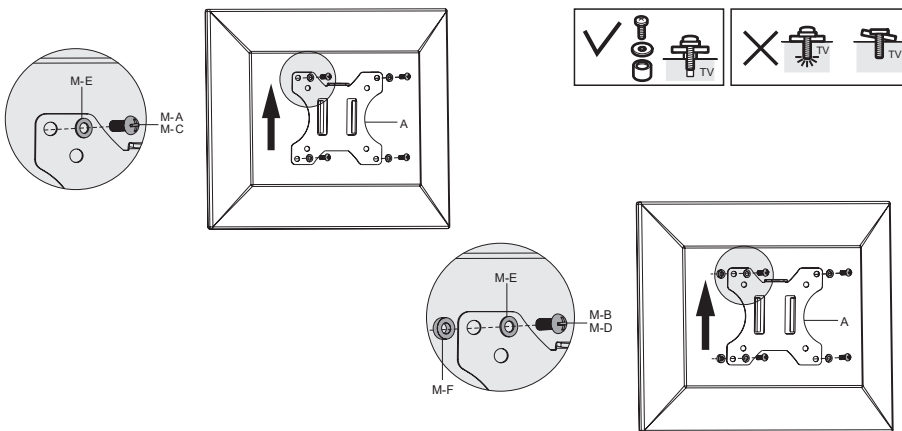
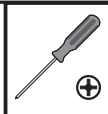
STEP 3

Install swivel arms **(B)** and cable clip **(E)** to pole **(D)**. Fasten the bolt with the supplied 5mm Allen Key **(M)**.



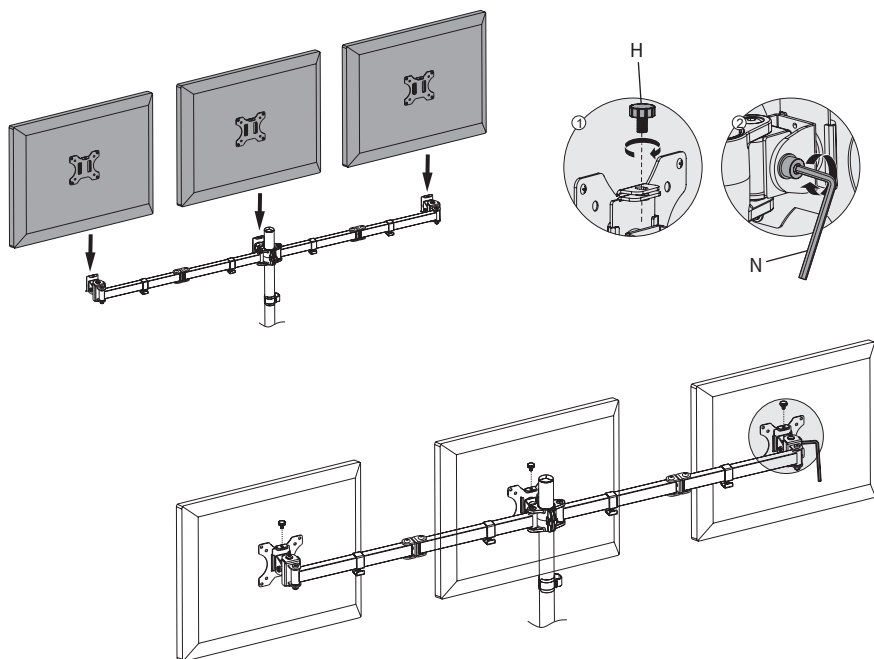
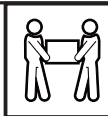
STEP 4

For flat back monitor, install VESA Plate (A) to monitor using bolts (M-A or M-C) and washers (M-E). For curved back monitor, install VESA Plate (A) to monitor using bolts (M-B) or (M-D), washers (M-E), and spacers (M-F). For curved back monitor, install VESA Plate (A) to monitor using bolts (M-B or M-D) and washers (M-E), and spacers (M-F).



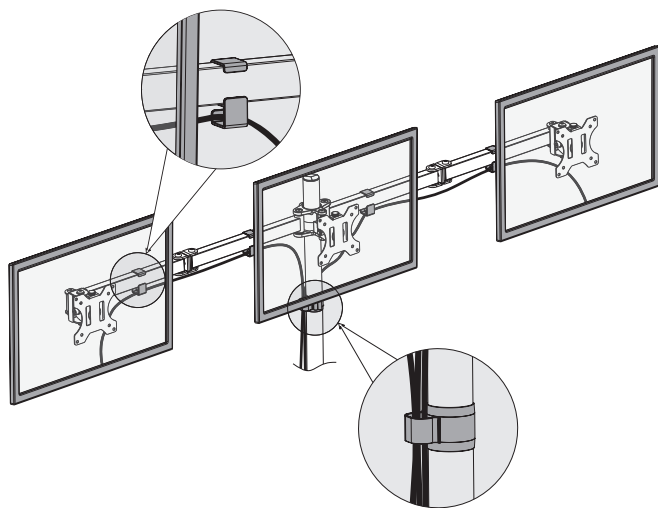
STEP 5

Slide the monitors onto the heads of swivel arms (B). Install thumb screws (H). Make sure the screws are installed before you rotate the monitors. If needed, adjust the bolt on the side of the hinge behind the VESA Plate to tighten or loosen the tilt angle using 6mm Allen Key (N).



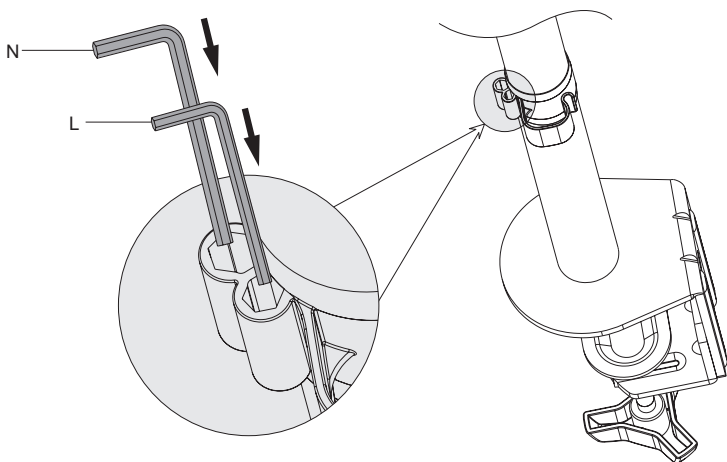
STEP 6

Manage the cables using the installed cable clips.



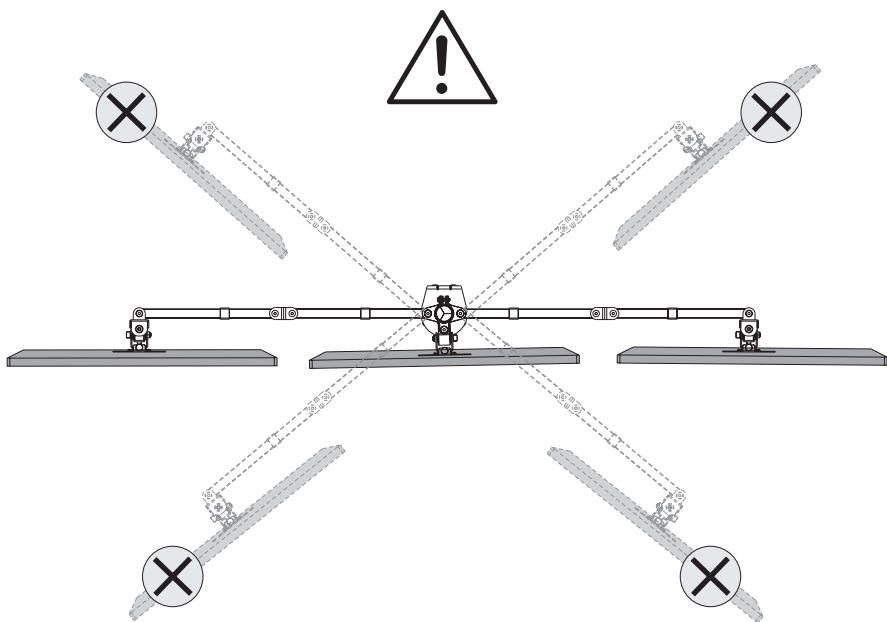
STEP 7

Store the Allen Keys in cable clip (E) for future use.



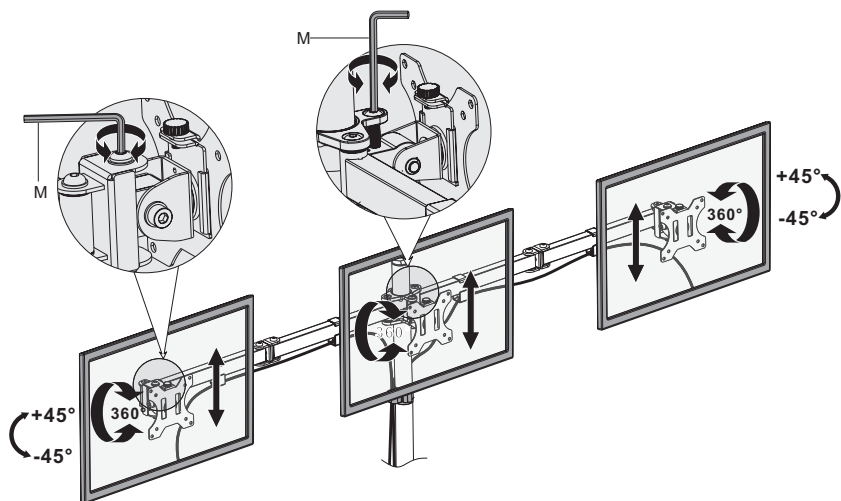
STEP 8

Be careful not to extend the arms too far forward or backward.



STEP 9

Adjust monitor alignment using 5mm Allen Key (**M**).





Open **Monday - Friday 7:00am - 7:00pm** CST,
our dedicated support team can offer immediate assistance with rapid response times. If any parts are received damaged or defective, please contact us. We are happy to replace parts to ensure you have a fully functioning product.


 help@vivo-us.com

AVG. RESPONSE TIME (*within office hrs*): **1HR 8M**

- 23% within < 15m
- 38% within < 30m
- 61% within < 1hr
- 83% within < 2hr
- 92% within < 3hr

 www.vivo-us.com
Chat live with an agent!

AVG. RESOLUTION TIME (*within office hrs*): **< 15 M**

 309-278-5303

AVG. RESOLUTION TIME (*within office hrs*): **5M 4S**