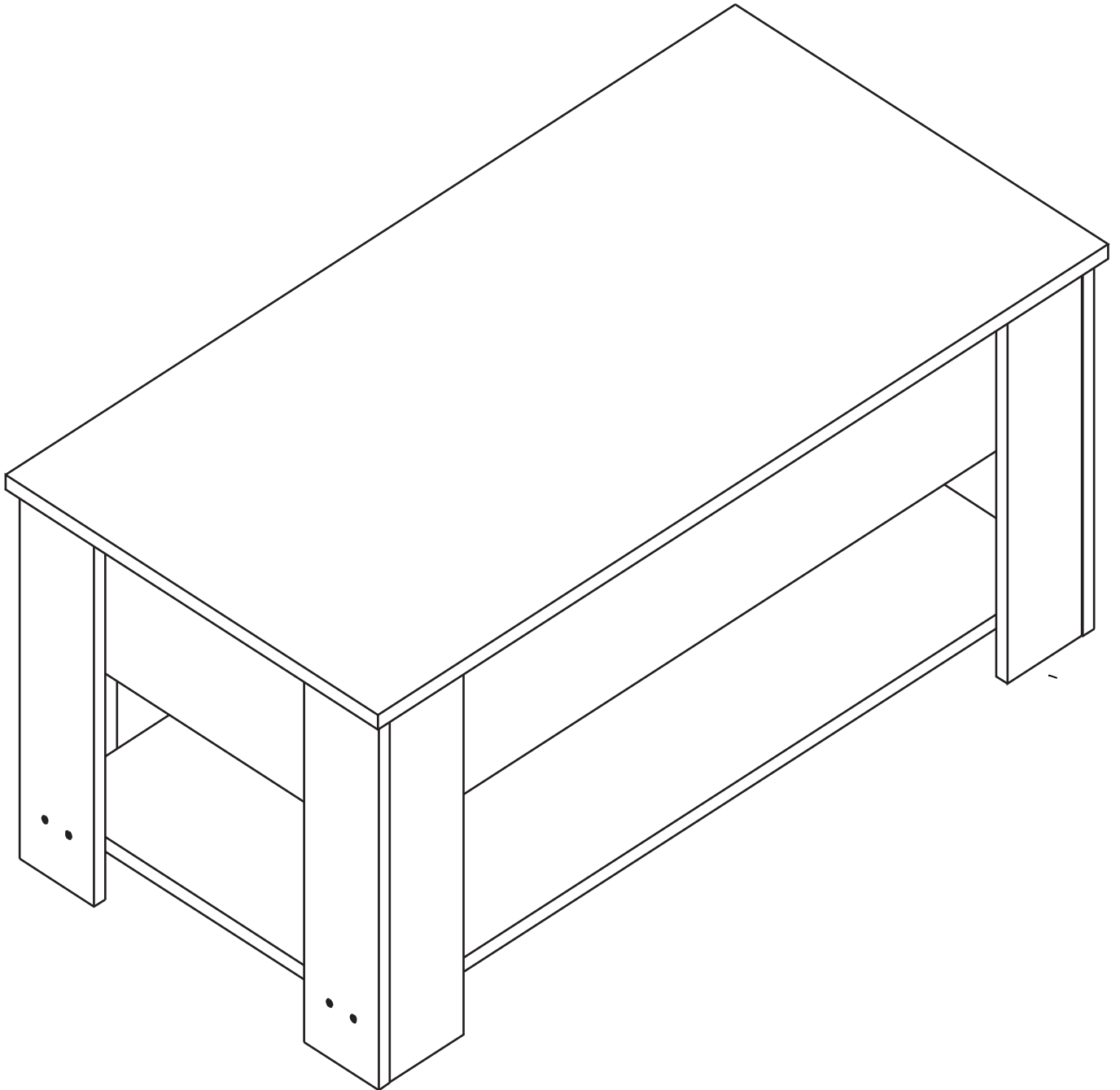
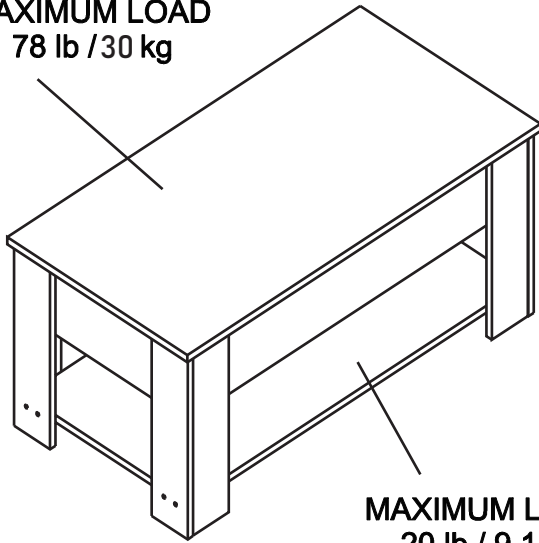


# ASSEMBLY INSTRUCTIONS



# WARNING !

MAXIMUM LOAD  
78 lb / 30 kg



MAXIMUM LOAD  
20 lb / 9.1kg



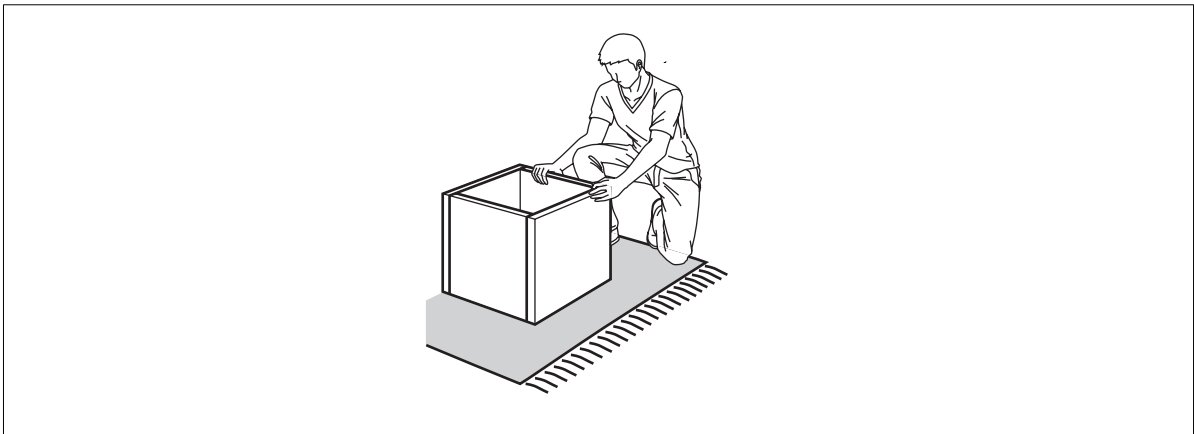
Estimated Time for Assembly

**60 mins**

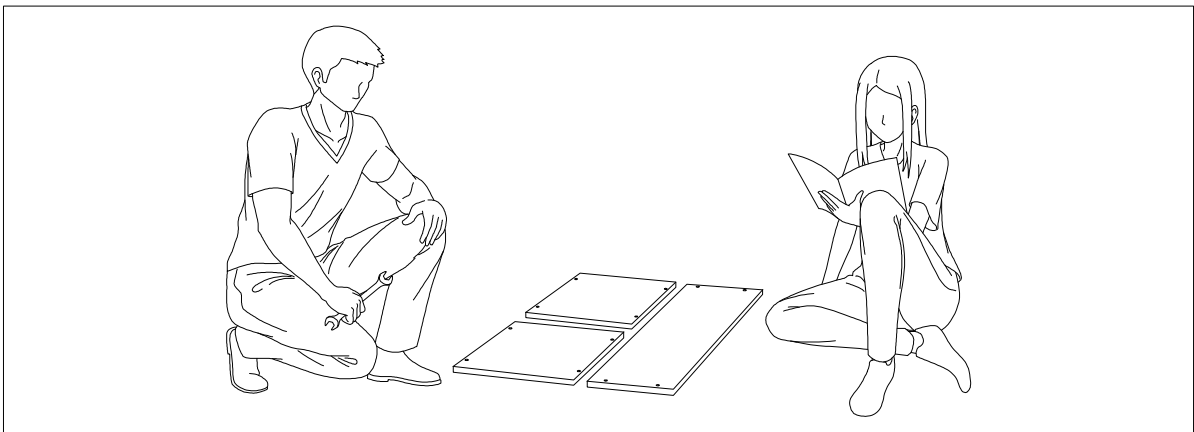


Weight Limitation

**20 lb** Shelf **78 lb** oTp



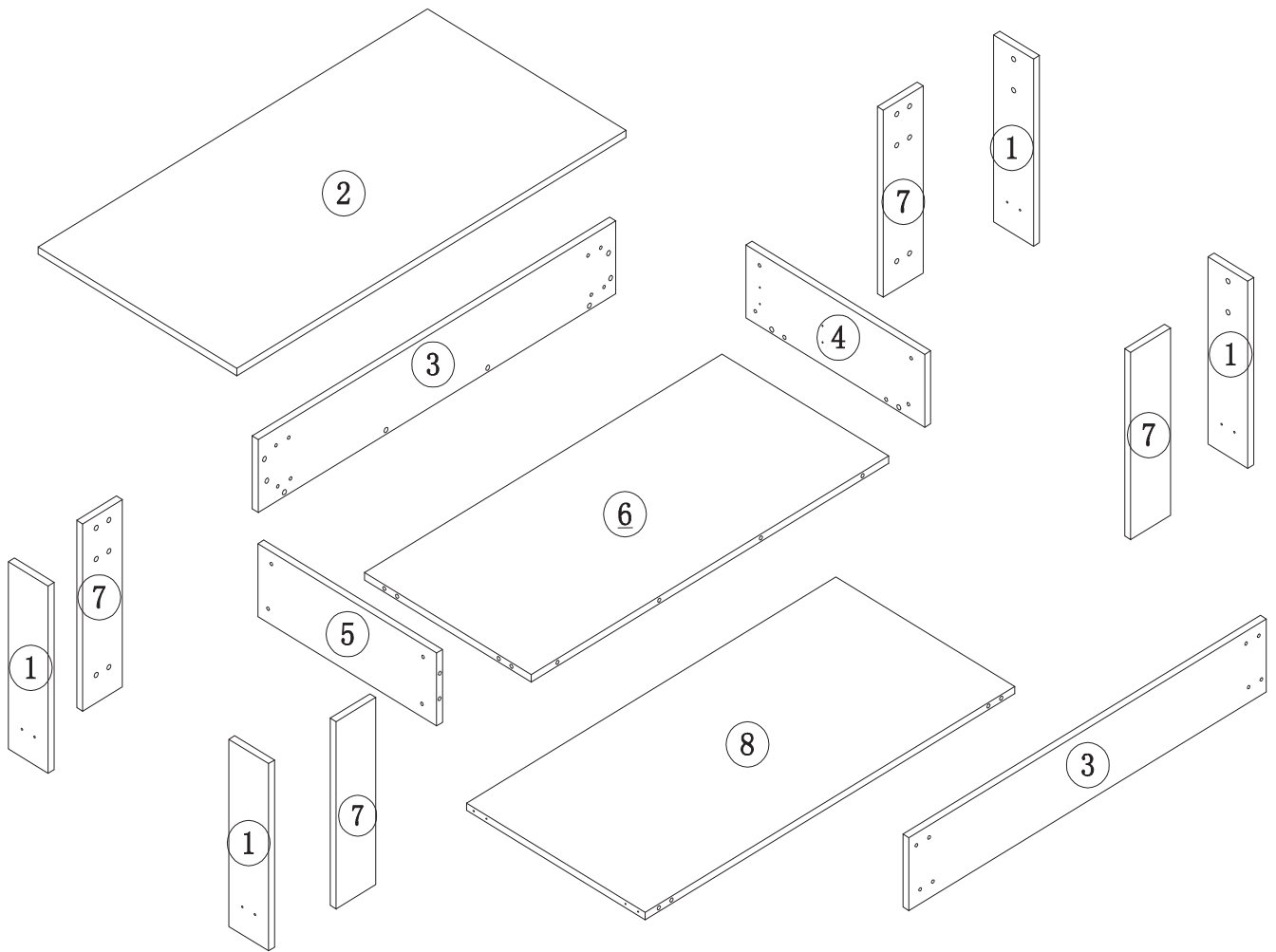
**Assembling the furniture on empty carton, carpet, or rug to prevent scratches or damage.**

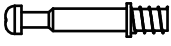



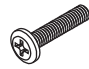




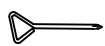

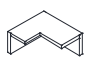


**This furniture requires 2 people to assembly.**

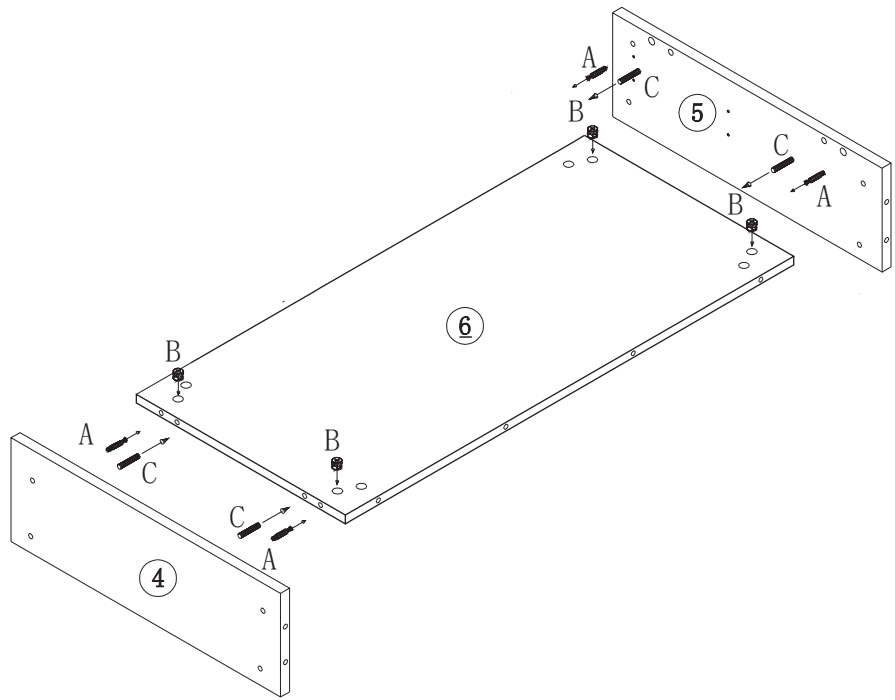
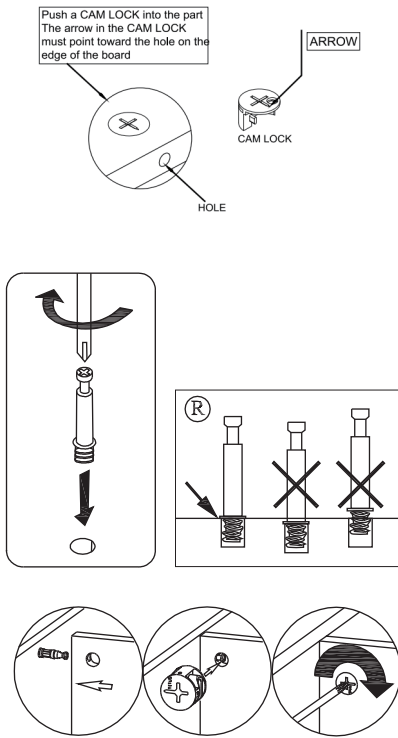
**Make sure no parts missing or damaged before assembly**

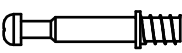


# PACKAGE CONTENT



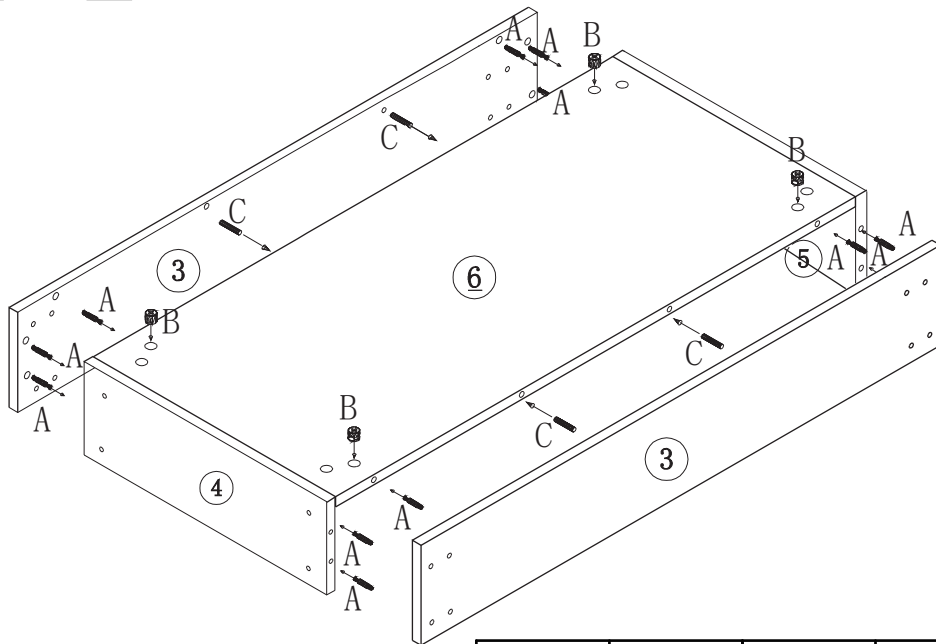
A	X24+1	B	X24+1	C	X8	D	X12 +1	E	X24+1	F	X4
											
φ 6X35		φ 15X12		φ 8X40		φ 3.5x14		φ 6X30		φ 3.5x16	
G	X8	L	X1	R	X1		X1	J	X4	K	X4
											
φ 3.5x30											

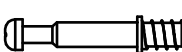


# STEP 1



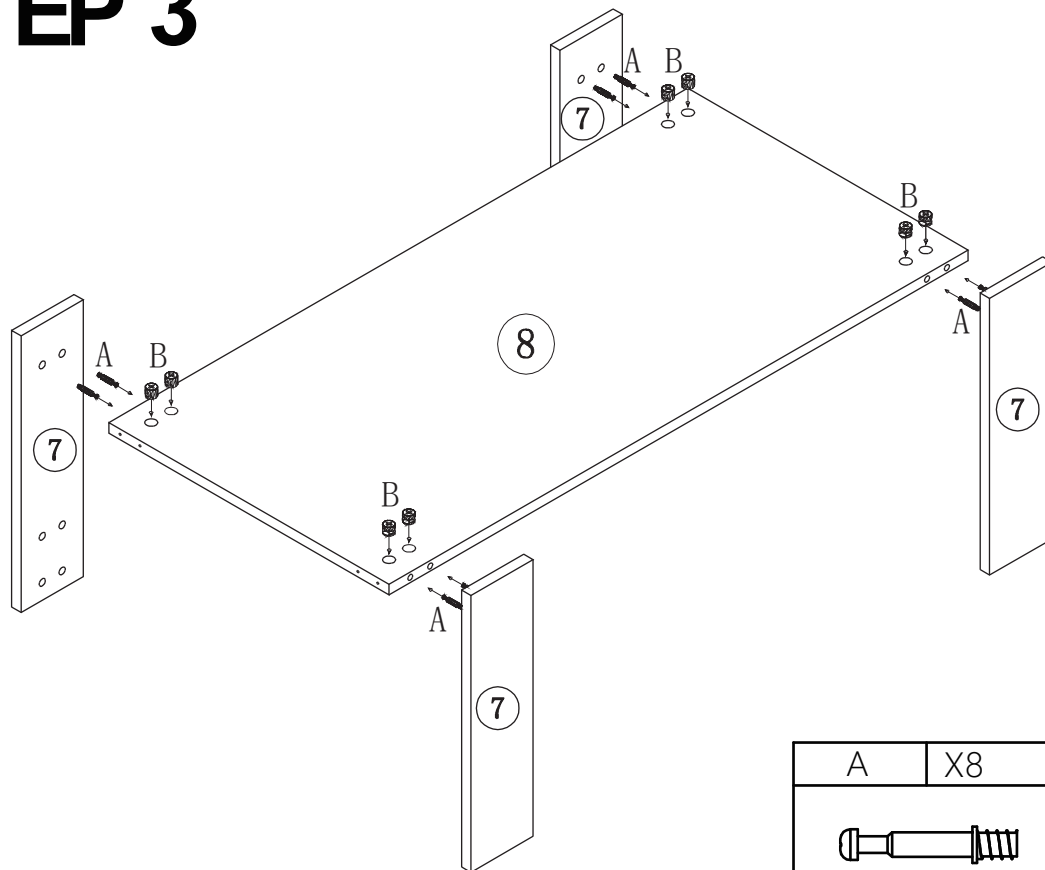
A	X4	B	X4	C	X4
					
φ 6X35		φ 15X12		φ 8X40	

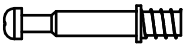

# STEP 2



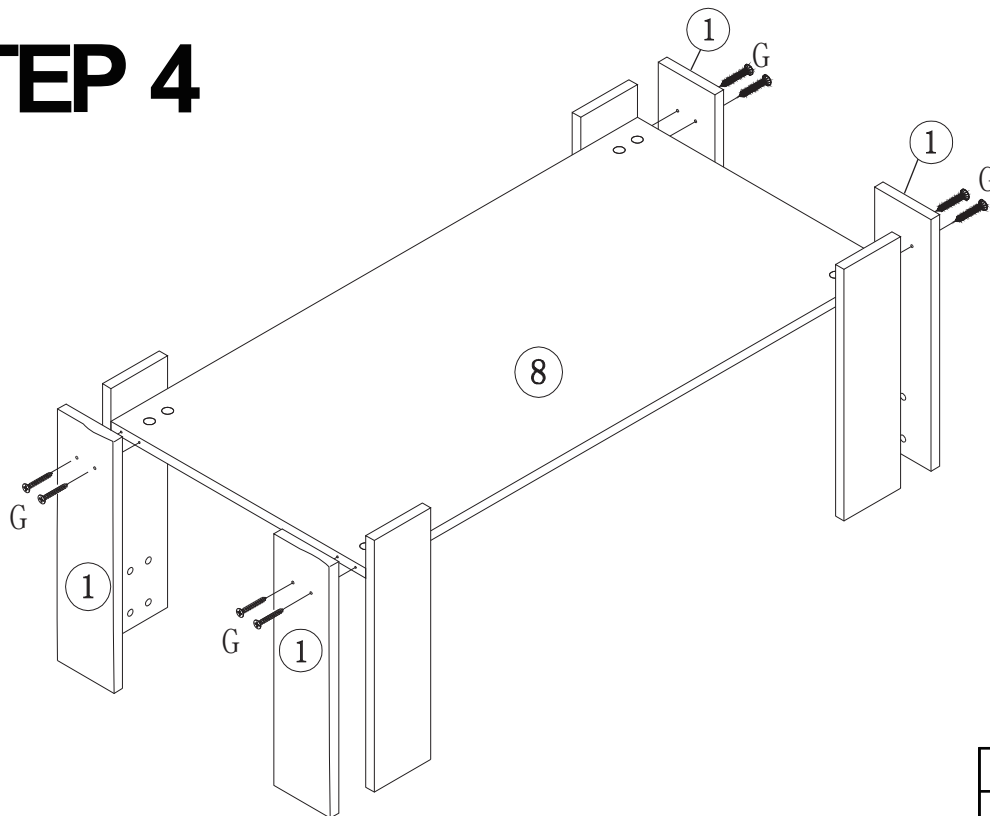
A	X12	B	X12	C	X4
					
φ 6X35		φ 15X12		φ 8X40	


# STEP 3



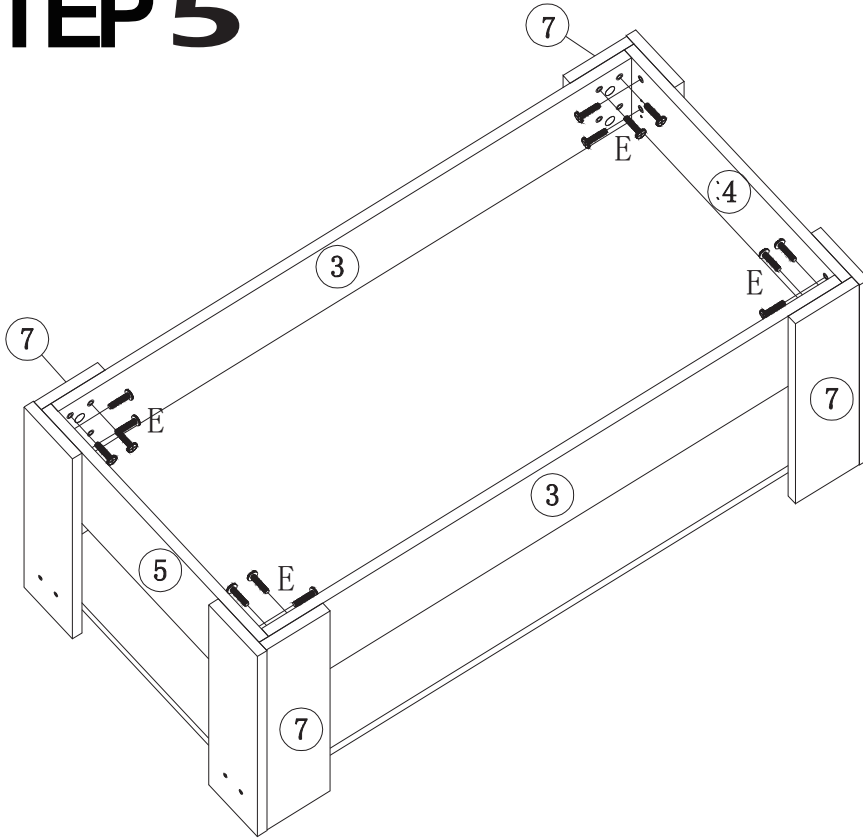
A	X8	B	X8
			
φ 6X35		φ 15X12	

# STEP 4



G	X8
	
φ 3.5X30	

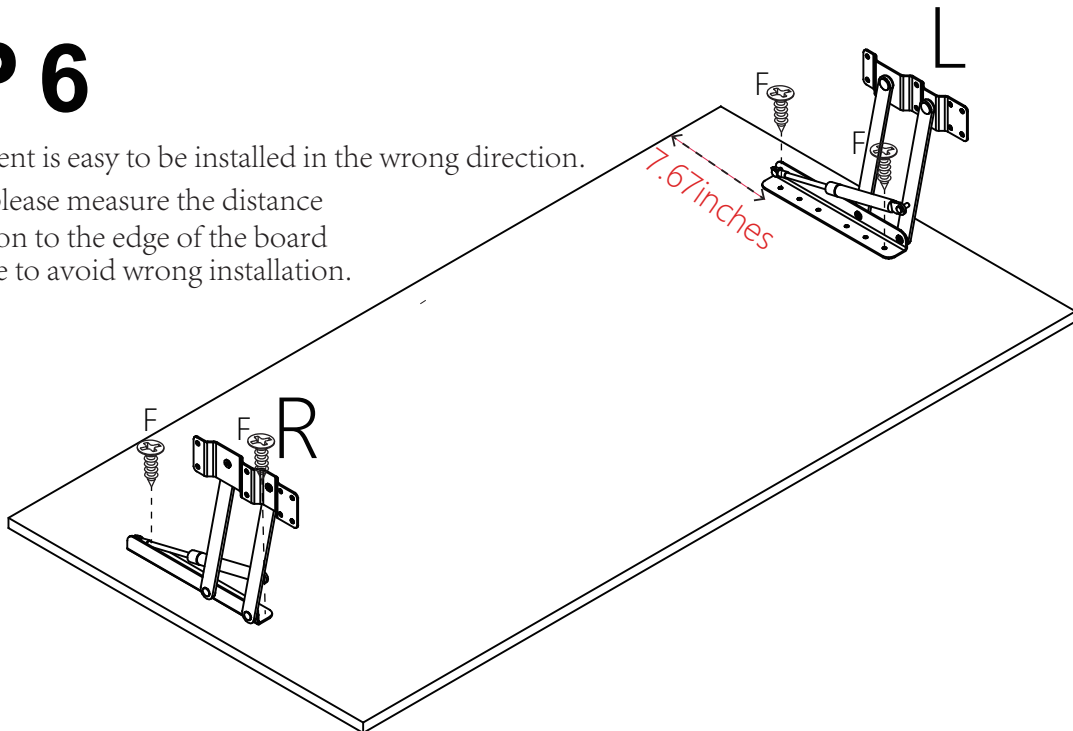
# STEP 5



E	X24
φ 6X25	

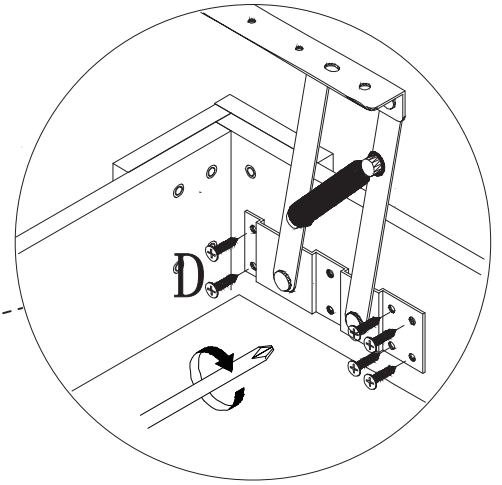
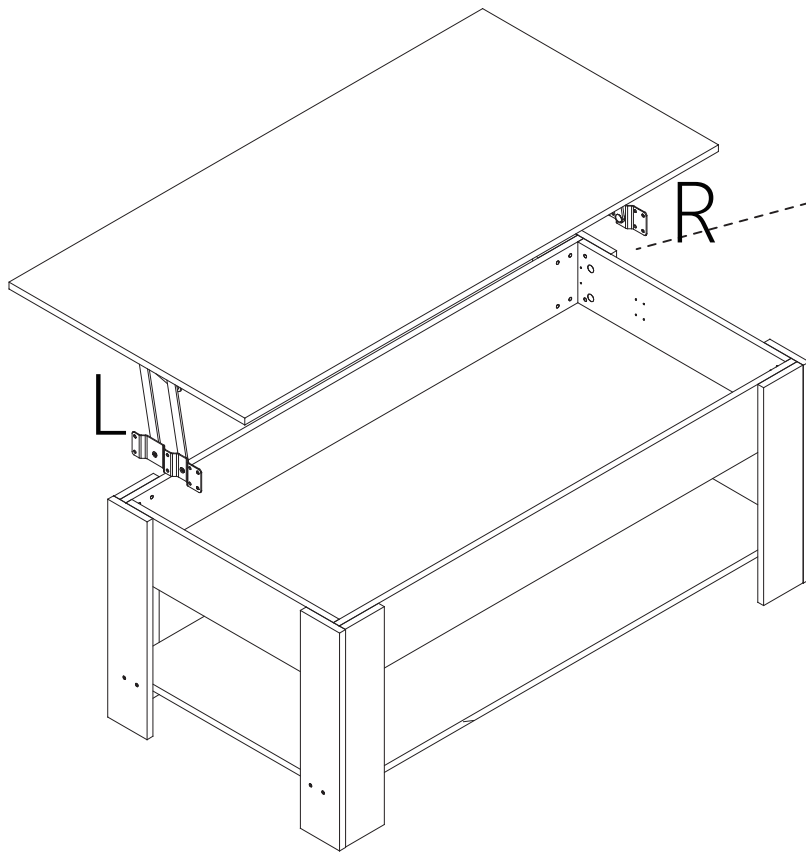
# STEP 6


Note: This component is easy to be installed in the wrong direction.  
 Before installation, please measure the distance from the hole position to the edge of the board as shown in the figure to avoid wrong installation.



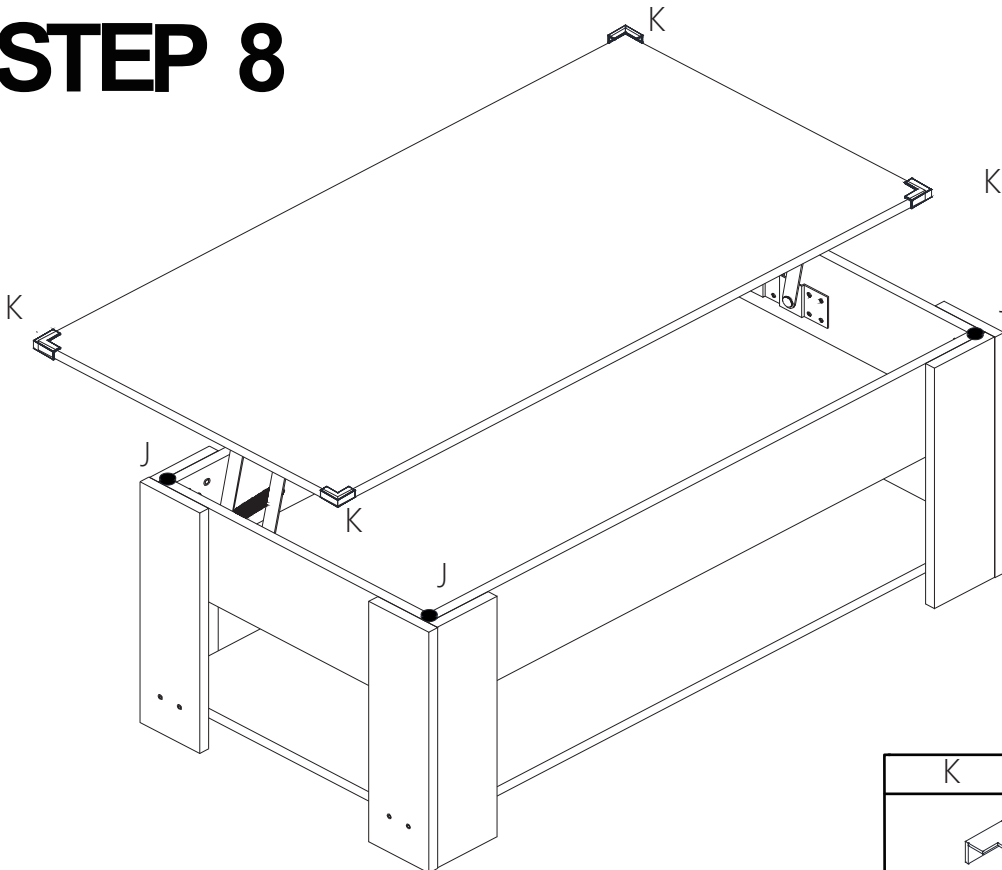
F	X4	L	X1	R	X1
φ 3.5x16					

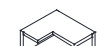

# STEP 7



D	X12
	
$\varnothing 3.5 \times 14$	

# STEP 8



K	X4	J	X4
			

# FURNITURE CARE AND MAINTENANCE

## Particle Board

Thank you for your purchase. We want your item to last as long as possible. To ensure the product gives you years of service, please refer to this care and maintenance guide.



### MAINTENANCE

- Tighten all bolts and screws again within the first 2 weeks of assembly
- Check the tightness of all bolts every 2 months, tighten them if necessary



### CLEANING

- Clean the surface of the MDF (medium - density fiberboard) with a lightly dampened cloth.
- Small amount of mild soap can be used if necessary
- Dry the surface immediately after cleaning.

- ⚠ DO NOT use bleach or alcohol detergent to clean the surface.
- ⚠ DO NOT apply wood treatment on parts made with MDF.

Medium - density fiberboard will swell and distort when suffer from water damage. Make sure to dry the furniture immediately after cleaning