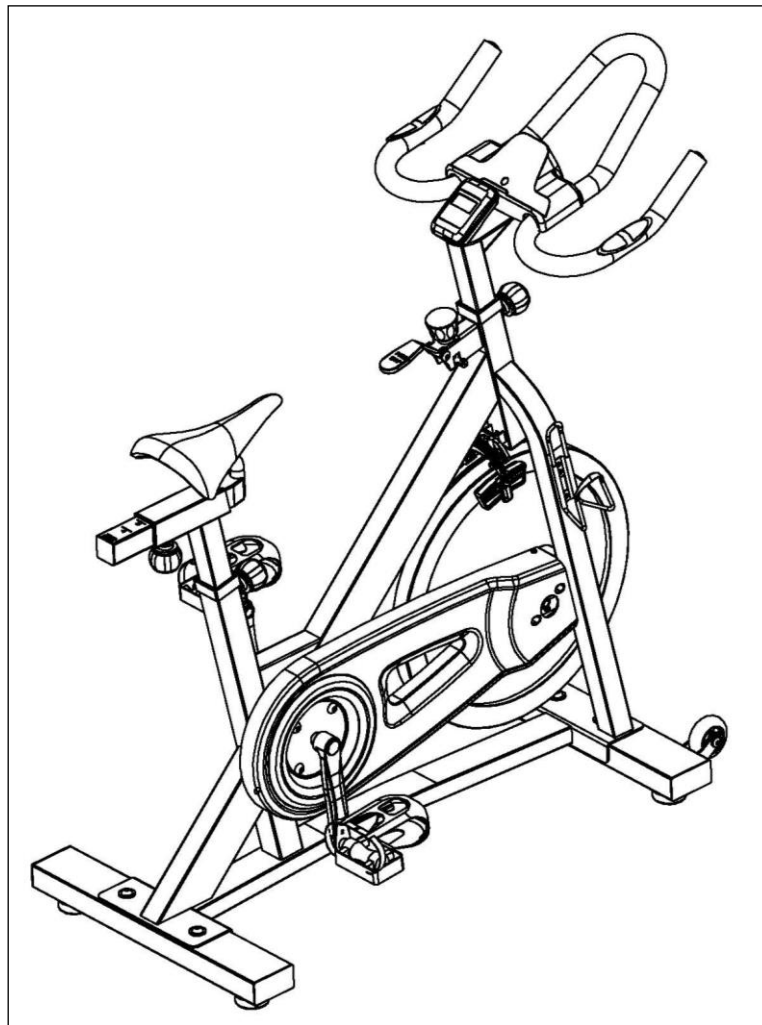




BELT DRIVE PRO II INDOOR CYCLING BIKE SF-B1995 USER MANUAL



IMPORTANT! Please retain owner's manual for maintenance and adjustment instructions. Your satisfaction is very important to us, **PLEASE DO NOT RETURN UNTIL YOU HAVE CONTACTED US:** support@sunnyhealthfitness.com or 1-877-90SUNNY (877-907-8669).

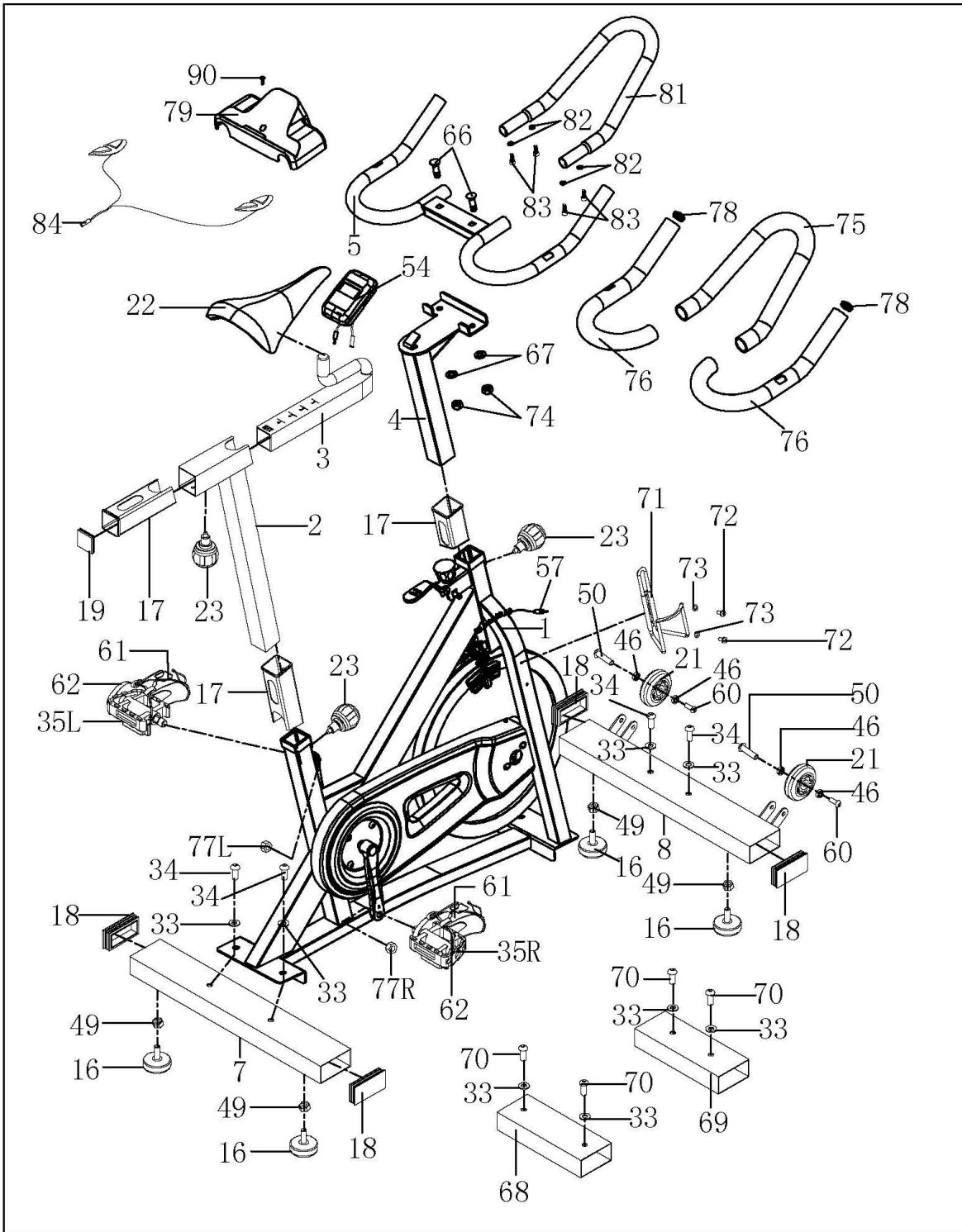


IMPORTANT SAFETY INFORMATION

We thank you for choosing our product. To ensure your safety and health, please use this equipment correctly. It is important to read this entire manual before assembling and using the equipment. Safe and effective use can only be achieved if the equipment is assembled, maintained and used properly. It is your responsibility to ensure that all users of the equipment are informed of all warnings and precautions.

1. Before starting any exercise program, you should consult your physician to determine if you have any medical or physical conditions that could put your health and safety at risk, or prevent you from using the equipment properly. Your physician's advice is essential if you are taking medication that affects your heart rate, blood pressure or cholesterol level.
2. Be aware of your body's signals. Incorrect or excessive exercise can damage your health. Stop exercising if you experience any of the following symptoms: pain, tightness in your chest, irregular heartbeat, shortness of breath, lightheadedness, dizziness or feelings of nausea. If you do experience any of these conditions, you should consult your physician before continuing with your exercise program.
3. Keep children and pets away from the equipment. The equipment is designed for adult use only.
4. Use the equipment on a solid, flat level surface with a protective cover for your floor or carpet. To ensure safety, the equipment should have at least 2 feet (60 CM) of free space all around it.
5. Ensure that all nuts and bolts are securely tightened before using the equipment. The safety of the equipment can only be maintained if it is regularly examined for damage and/or wear and tear.
6. Always use the equipment as indicated. If you find any defective components while assembling or checking the equipment, or if you hear any unusual noises coming from the equipment during exercise, discontinue use of the equipment immediately and do not use until the problem has been rectified.
7. Wear suitable clothing while using the equipment. Avoid wearing loose clothing that may become entangled in the equipment.
8. Do not place fingers or objects into the moving parts of the equipment.
9. The maximum weight capacity of this unit is 275 pounds (125 KG).
10. The equipment is not suitable for therapeutic use.
11. To avoid bodily injury and/or damage to the product or property, proper lifting and moving is required.
12. Your product is intended for use in cool, dry conditions. You should avoid storage in extreme cold, hot or damp areas as this may lead to corrosion and other related problems.
13. This equipment is designed for indoor and home use only. It is not intended for commercial use!

EXPLODED DIAGRAM 1



PARTS LIST

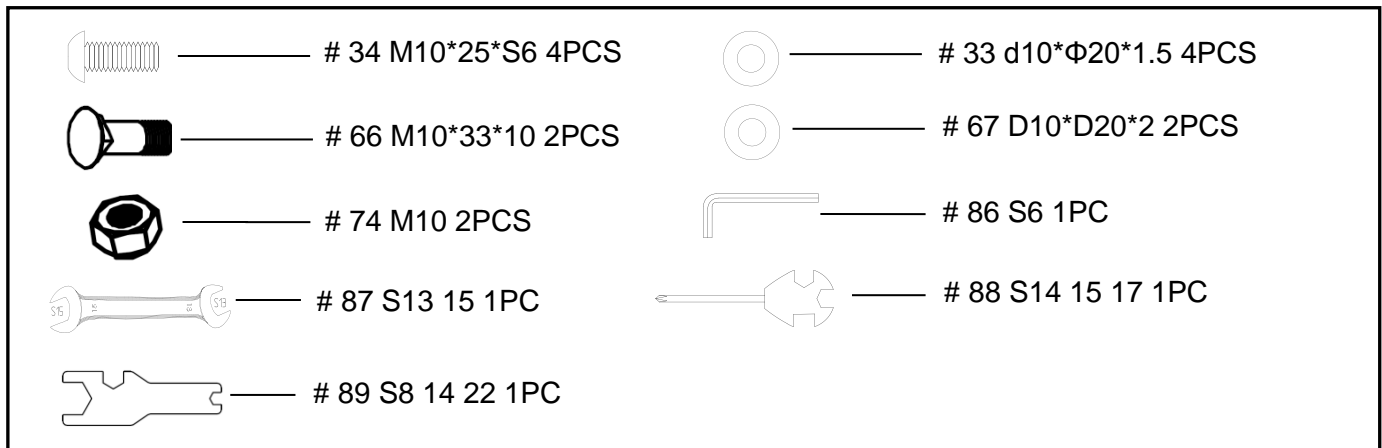
No.	Description	Spec.	Qty.
1	Main Frame		1
2	Seat Post		1
3	Seat Slider		1
4	Handlebar Post		1
5	Handlebar		1
6	Cap Nut	M12	1
7	Rear Stabilizer		1
8	Front Stabilizer		1
9	Brake Handle		1
10	Washer	d10*Φ25*2	1
11	Knob		1
12L/R	L/R Crank		1 pr.
13	Screw	M5*23	3
14	Outer Belt Cover		1
15	Inner Belt Cover		1
16	Foot Pad		4
17	Bushing		3
18	Square Cap		4
19	Square Cap		1
20	Front Cover		1
21	Transportation Wheel		2
22	Seat		1
23	Spring Knob		3
24	Round Cap		1
25	Square Cap		1
26	Screw	ST4.2* 18	9
27	Screw	M5*12	2
28	Belt		1
29	Washer	Φ12.5*2*Φ24	2
30	Bottom Bracket Axle		1
31	Belt pulley		1
32	Crank Cover		2
33	Washer	d10*Φ20* 2	8
34	Screw	M10*25*S6	4
35L/R	L/R Pedal		1 pr.
36	Flywheel		1

No.	Description	Spec.	Qty.
37	Flywheel Spindle		1
38	Adjustable Belt Bolt		2
39	Sleeve		1
40	Nylon Nut	M8	2
41	Brake Pad		2
42	Clamp Brake Holder		1
43	Washer	Φ11*Φ25*4	1
44	Bearing	6202Z	3
45	Bearing	6004-2RS	2
46	Bearing	608ZZ	4
47	Flange Nut	M12*1	1
48	Axle Washer	d20	2
49	Hex Screw	M10*H7*S17	4
50	Screw	Φ7.8*30	3
51	Screw	M6*38*S5	1
52	Screw	M10*16	4
53	Hex Flange Nut	M10*1.25	2
54	Meter		1
55	Hex Thin Nut	M12*1	2
56	Hex Flange Nut	M6 *H7*S10	1
57	Sensor Wire		1
58	Nylon Nut	M10*H9*S17	1
59	Screw	M5*12*Φ8	2
60	Screw	M6*12*S5	3
61	Pedal Strap		2
62	Pedal Belt		2
63	Brake Cable		2
64	Clamp Brake Assembly		1
65	Brake Pad		2
66	Carriage Bolt	M10*33*10	2
67	Washer	D10*D20* 2	2
68	Front Shipping Tube		1
69	Rear Shipping Tube		1
70	Screw	M10*16*S6	4
71	Bottle Holder		1
72	Screw	M5*12	2

73	Flat Washer	D5*Φ13*1.0	2
74	Nylon Nut	M10	2
75	Foam Grip A		1
76	Foam Grip B		2
77L/R	Nylon Nut	9/16*20*H9*S22	1 pr.
78	End Cap		2
79	Handlebar Cover		1
80	Wave Washer	D20*Φ26.5*0.6	1
81	Middle Handlebar		1

82	Flat Washer	Φ6*Φ12*1.2	4
83	Screw	M6*12	4
84	Pulse Wire		1
85	Plastic Washer		1
86	Allen Wrench	S6	1
87	Wrench	S13 15	1
88	Spanner	S14 15 17	1
89	Spanner	S8 14 22	1
90	Screw	M5*10	1

HARDWARE PACKAGE



Ordering Replacement Parts (U.S. and Canadian Customers only)

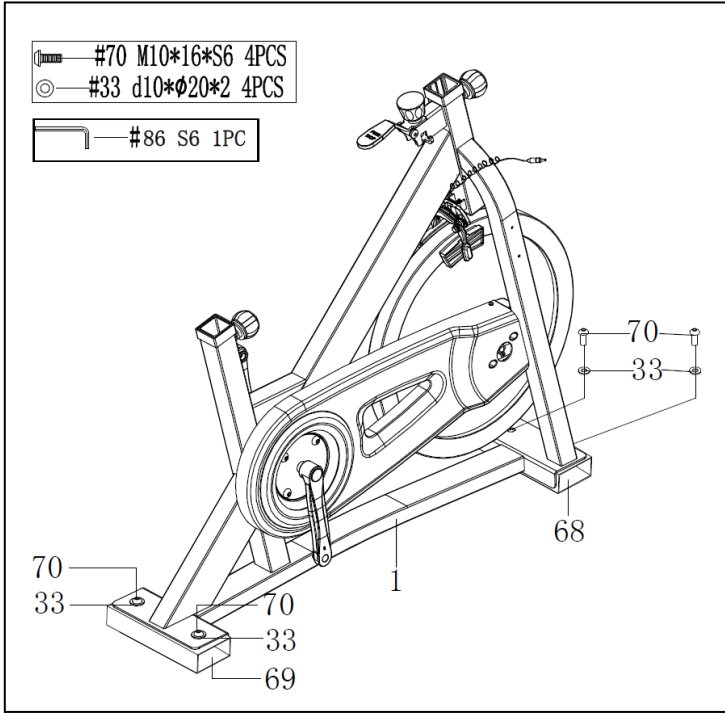
Please provide the following information in order for us to accurately identify the part(s) needed:

- ✓ The model number (found on cover of manual)
- ✓ The product name (found on cover of manual)
- ✓ The part number found on the “EXPLODED DIAGRAM” and “PARTS LIST” (found near the front of the manual)

Please contact us at support@sunnyhealthfitness.com or 1 - 877 - 90SUNNY (877-907-8669).

ASSEMBLY INSTRUCTIONS

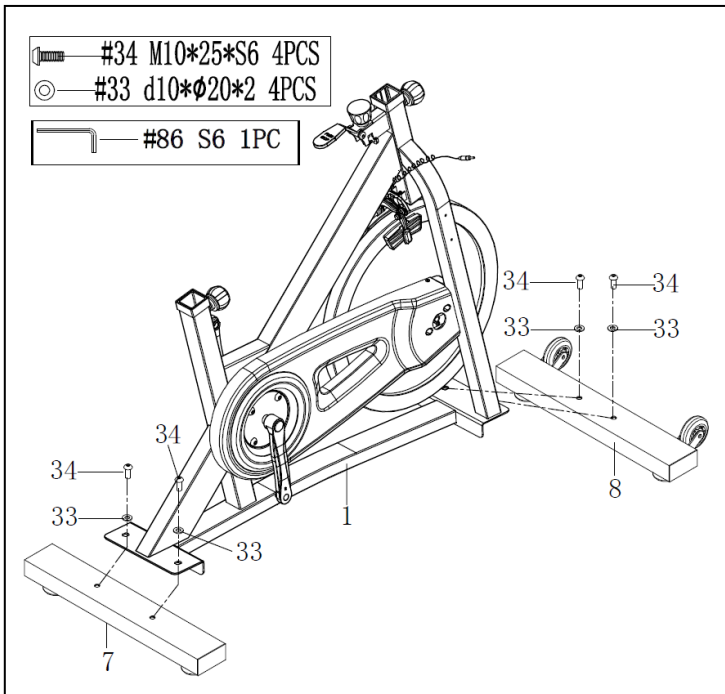
We value your experience using Sunny Health and Fitness products. For assistance with parts or troubleshooting, please contact us at support@sunnyhealthfitness.com or 1-877-90SUNNY (877-907-8669).



STEP 1:

Use **Allen Wrench (No. 86)** to unscrew 4 **Screws (No. 70)** and 4 **Washers (No. 33)** from **Front & Rear Shipping Tubes (No. 68 & No. 69)**. Then remove and discard the **Front & Rear Shipping Tubes (No. 68 & No. 69)**.

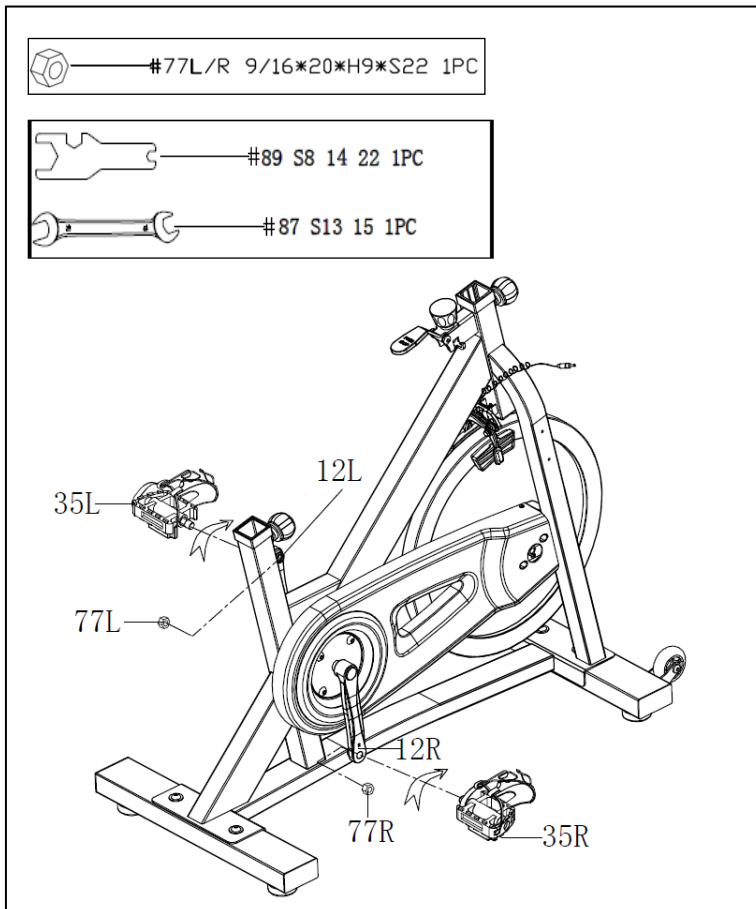
OPTIONAL: You may save these parts: **Screws (No. 70)**, **Washers (No. 33)**, **Front & Rear Shipping Tubes (No. 68 & No. 69)** for future packaging and transportation of bike.



STEP 2:

Attach the **Front & Rear Stabilizers (No. 8 & No. 7)** to the **Main Frame (No. 1)** using 4 **Screws (No. 34)** and 4 **Washers (No. 33)**. Tighten and secure with **Allen Wrench (No. 86)**.

We value your experience using Sunny Health and Fitness products. For assistance with parts or troubleshooting, please contact us at support@sunnyhealthfitness.com or 1-877-90SUNNY (877-907-8669).



STEP 3:

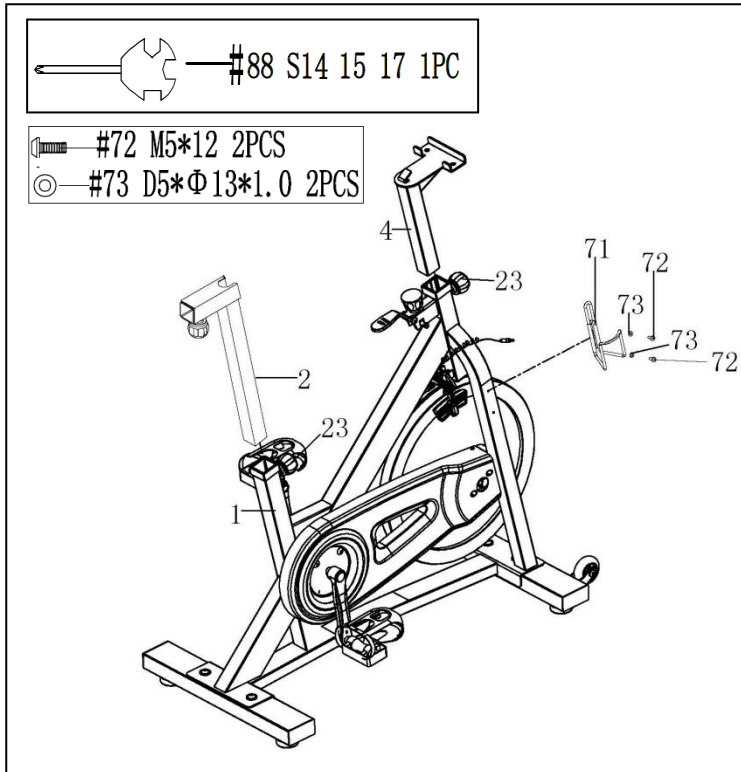
IMPORTANT! Read instructions carefully, failure to do so may cause permanent damage to your bike.

Remove the **Left & Right Nylon Nuts (No. 77L/R)** located on the **Pedals (No. 35L/R)**. The **Right Nylon Nut (No. 77R)** is white on the inside. The **Left Nylon Nut (No. 77L)** is blue on the inside. The **Pedals (No. 35L/R)** are marked **L** and **R**.

Screw the **Left Pedal (No. 35L)** **COUNTER-CLOCKWISE** into the **Left Crank (No. 12L)**. Once properly screwed into place, use the **Wrench (No. 87)** to hold the bolt of the pedal and screw the **Left Nylon Nut (No. 77L)** **CLOCKWISE** to the thread end of the **Left Pedal (No. 35L)** securely with **Spanner (No. 89)**.

Screw the **Right Pedal (No. 35R)** **CLOCKWISE** into the **Right Crank (No. 12R)**. Once properly screwed into place, use the **Wrench (No. 87)** to hold the bolt of the pedal and screw the **Right Nylon Nut (No. 77R)** **COUNTER-CLOCKWISE** to the thread end of the **Right Pedal (No. 35R)** securely with **Spanner (No. 89)**.

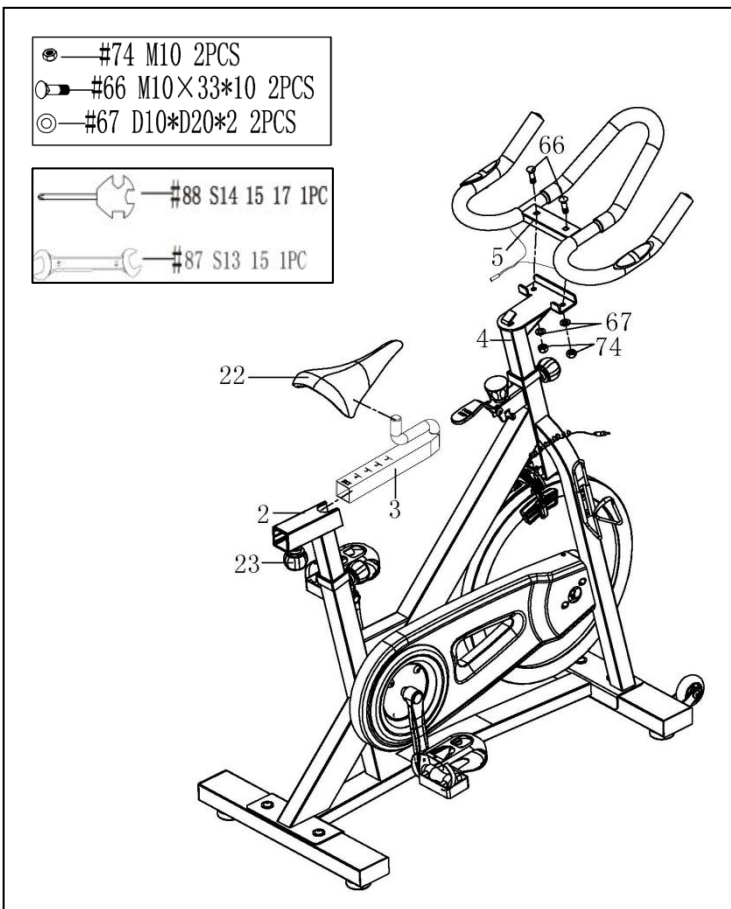
We value your experience using Sunny Health and Fitness products. For assistance with parts or troubleshooting, please contact us at support@sunnyhealthfitness.com or 1-877-90SUNNY (877-907-8669).



STEP 4:

Loosen and remove 2 **Spring Knobs (No. 23)**. Insert the **Seat Post (No. 2)** and **Handlebar Post (No. 4)** into the sleeves located on the **Main Frame (No. 1)**. Adjust the **Seat Post (No. 2)** and **Handlebar Post (No. 4)** to the desired positions. Re-insert and tighten the 2 **Spring Knobs (No. 23)** to secure the **Seat Post (No. 2)** and **Handlebar Post (No. 4)** in place.

Remove the preassembled 2 **Screws (No. 72)** and 2 **Flat Washers (No. 73)** from **Main Frame (No. 1)**. Then attach the **Bottle Holder (No. 71)** to **Main Frame (No. 1)** using the 2 **Screws (No. 72)** and 2 **Flat Washers (No. 73)** that were just removed. Tighten and secure with **Spanner (No. 88)**.



STEP 5:

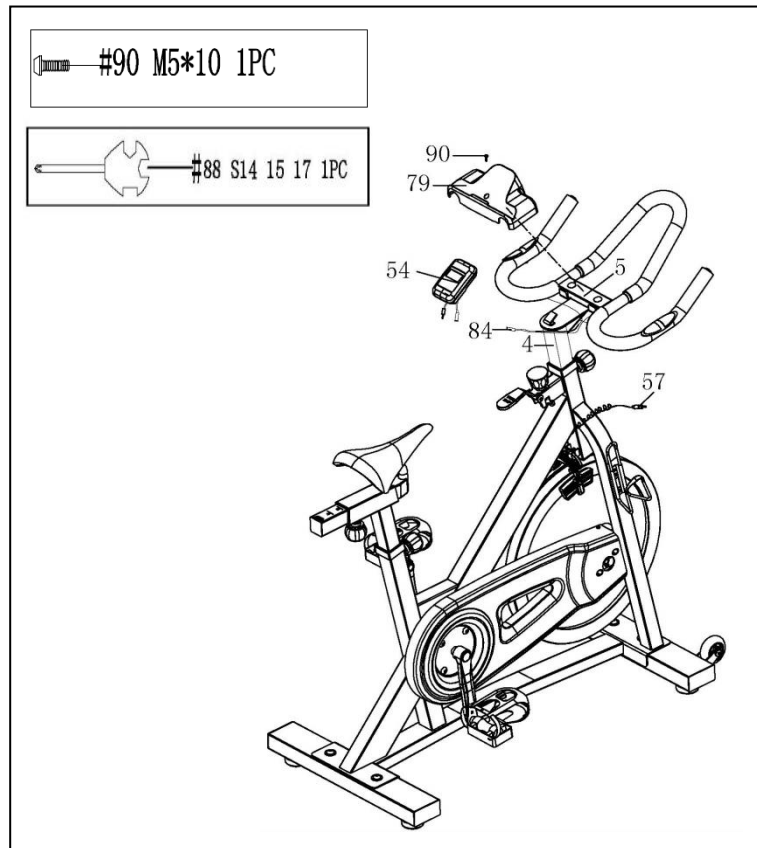
NOTE: In order to properly tighten the seat, it is important to note that you will need two open faced wrenches (1 for each side) and will need to tighten the nut on each side simultaneously working in opposite directions of each other.

Loosen and remove the **Spring Knob (No. 23)**. Next, insert the **Seat Slider (No. 3)** into the **Seat Post (No. 2)** and adjust it to the desired position. Re-insert and tighten **Spring Knob (No. 23)** to secure the **Seat Slider (No. 3)** in place.

Attach the **Seat (No. 22)** to the **Seat Slider (No. 3)**. Tighten and secure with **Wrench (No. 87)**.

Attach the **Handlebar (No. 5)** to the **Handlebar Post (No. 4)** using 2 **Carriage Bolts (No. 66)**, 2 **Washers (No. 67)** and 2 **Nylon Nuts (No. 74)**. Tighten and secure with **Spanner (No. 88)**.

We value your experience using Sunny Health and Fitness products. For assistance with parts or troubleshooting, please contact us at support@sunnyhealthfitness.com or 1-877-90SUNNY (877-907-8669).



STEP 6:

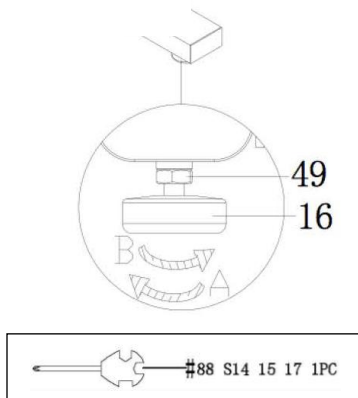
Remove the preassembled **Screw (No. 90)** from **Handlebar (No. 5)**. Then attach **Handlebar Cover (No. 79)** to **Handlebar (No. 5)** using the **Screw (No. 90)** that were just removed. Tighten and secure with **Spanner (No. 88)**.

Connect **Pulse Wire (No. 84)** and **Sensor Wire (No. 57)** to the relative wires of **Meter (No. 54)**. Then insert the **Meter (No. 54)** to the bracket of the **Handlebar Post (No. 4)**.

The assembly is complete!

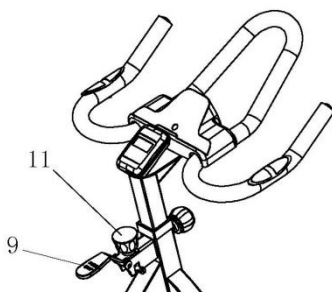
ADJUSTMENT GUIDE

ADJUSTING THE BALANCE:



In order to achieve a smooth and comfortable ride during use, you must ensure the stability of the bike. If you notice that the bike is unbalanced, you can adjust the foot pads located beneath the front and rear stabilizers. To do so, use the **Spanner (No. 88)** to loosen the **Hex Screw (No. 49)** by turning it *clockwise* (direction A). With the nut loosened, rotate the **Foot Pad (No. 16)** until it sits level with the surface that the bike is on. When you have finished adjusting the foot pad, re-tighten the **Hex Screw (No. 49)** by turning it *counter-clockwise* (direction B) using **Spanner (No. 88)**. If required, repeat this process to adjust the remaining foot pads.

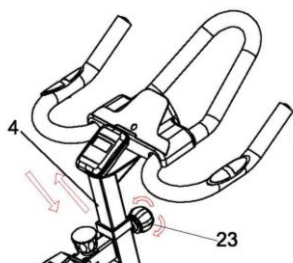
RESISTANCE AND BRAKING:



You may adjust the tension level of the bike by rotating the **Knob (No. 11)**. To increase the level of resistance, rotate the knob *clockwise*. To decrease the level of resistance, rotate the knob *counter-clockwise*.

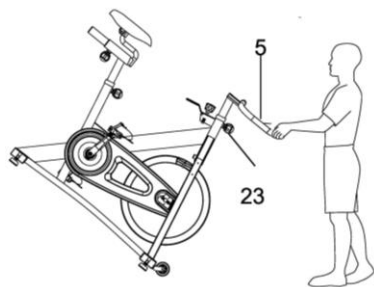
During an exercise, you may stop the bike immediately by pushing down on the **Brake Handle (No. 9)**. This is the emergency brake.

ADJUSTING THE HANDLEBAR:



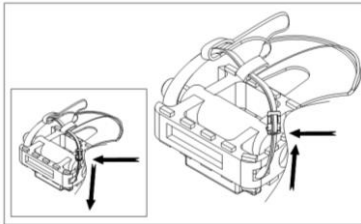
It is important that the handlebar and seat are both set to the correct height of your body. To adjust the handlebar height, loosen and pull the **Spring Knob (No. 23)** outward, then slide the **Handlebar Post (No. 4)** up or down to the desired height. Once adjusted re-insert and tighten the **Spring Knob (No. 23)** to secure the **Handlebar Post (No. 4)** in place.

TRANSPORTING THE BIKE:



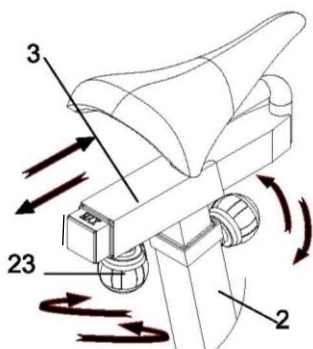
To move the bike, first ensure that the **Handlebar (No. 5)** is properly secured. If the **Handlebar (No. 5)** is loose, tighten the **Spring Knob (No. 23)** to secure it. Next, stand at the front of the bike so that you're directly in front of the **Handlebar (No. 5)**. Firmly grasp and hold each side of the **Handlebar (No. 5)**, place one foot on the front base and tilt the bike towards you until the transportation wheels on the front base touch the ground. With the wheels on the ground, you can transport the bike to the desired location with ease.

NOTE: When moving the bike, always use caution as unexpected impact, such as dropping the bike, may cause injury and affect the bike's performance.



PEDAL STRAP ADJUSTMENT

Your feet should be secured in the toe clips during exercise. Place your feet as far forward into the toe-clips as you can. With your feet in place, turn the crank to bring one foot to within arm's reach, grasp the pedal strap and pull it upward to tighten the toe-clip cage. Next, insert the strap back into the hoop of the toe-clip. Repeat this process to secure your other foot.

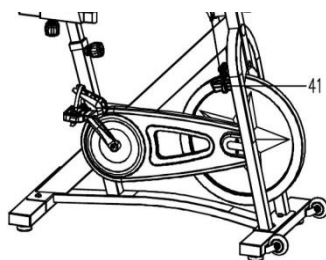


ADJUSTING THE SEAT

The seat of this bike is fully adjustable as it moves *Up, Down, Fore (forward), Aft (backward)*.

To adjust the height of the **Seat Post (No. 2)**, loosen and pull the [seat post] **Adjustment Knob (No. 23)** outward, then raise or lower the seat to the desired height. Once adjusted, re-insert and tighten the [seat post] **Adjustment Knob (No. 23)** to secure the seat in place.

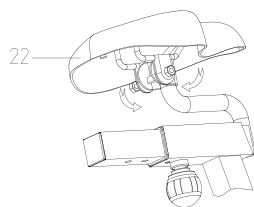
To adjust the seat back and forth, loosen and pull [seat slider] **Adjustment Knob (No. 23)** outward, then slide the **Seat Slider (No. 3)** to the desired position. Once positioned, re-insert and tighten the [seat slider] **Adjustment Knob (No. 23)** to secure the seat slider tube in place.



CHECKING BRAKE PADS AND PEDALS

Ensure all the Nuts, Nut Caps and Pedals are secured and inspect the equipment regularly. If you should find any defective parts, do not exercise until they've been repaired.

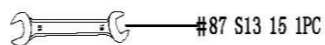
Pay close attention to easily damaged parts due to wear and tear. Please inspect **Brake Pads (No. 41)** to ensure there is still adequate padding on each side before exercising. Make sure to replace brake pads as necessary. Inspect the pedals before exercise. If they have become loose, please re-tighten.



TIGHTENING THE SEAT

Please adjust the Hexagon Nuts by using the **Wrench (No. 87)** if the **Seat (No. 22)** is loose.

NOTE: In order to properly tighten the **Seat (No. 22)**, it is important to note that you will need two open faced wrenches (1 for each side) and will need to tighten the nut on each side simultaneously working in opposite direction of each other.

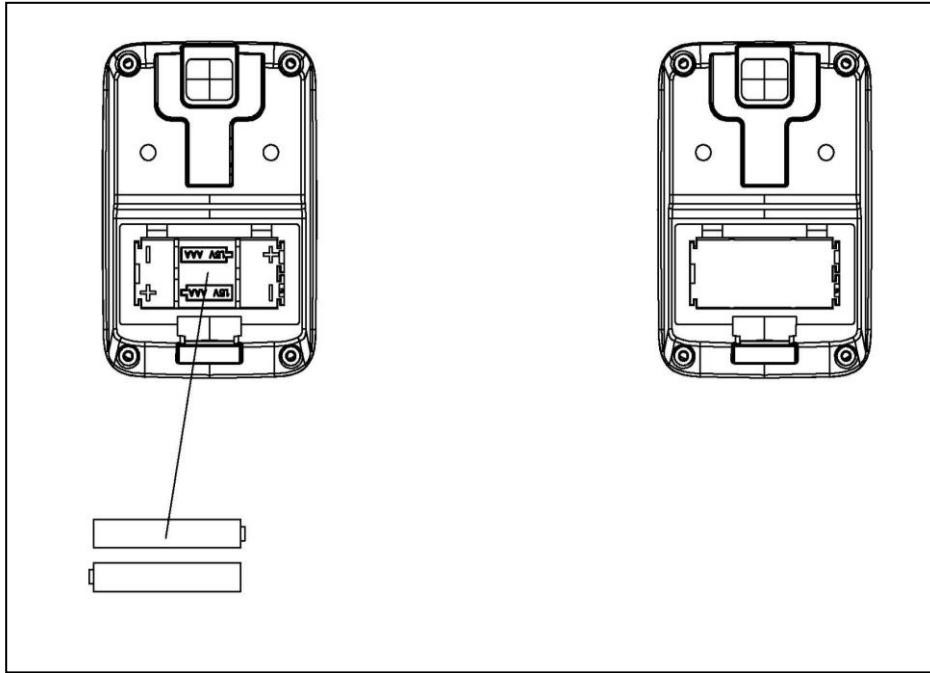


MAINTENANCE INSTRUCTIONS

This is general information for daily, weekly and monthly maintenance to be performed on your bike.

<p>DAILY MAINTENANCE</p> <p>After each exercise session, wipe down all the equipment: seat, frame and handlebars. Pay special attention to the seat post, handlebar post and belt/chain guard. Sweat is very corrosive and may cause problems that require parts replacement later.</p> <ol style="list-style-type: none"> 1. Get on the bike and engage the drive train. 2. Pay attention to any vibrations felt through the pedals. If you feel any vibrations, you may need to tighten the pedals, bottom bracket, or adjust the drive belt/chain tension. 3. Use a wrench to tighten the pedals until they are secure. 	<p>MONTHLY MAINTENANCE</p> <ol style="list-style-type: none"> 1. Check all hardware is secure, such as: bottle holder, flywheel nuts, belt/chain guard bolts, brake caliper lock nuts and brake caliper tension rod nuts. 2. Inspect the brake tension rod for signs of wear such as missing threads. Clean and lubricate the brake tension rod. 3. Clean and lubricate the seat post, handlebar post and seat slider. Remove any buildup of foreign material.
<p>WEEKLY MAINTENANCE</p> <ol style="list-style-type: none"> 1. Inspect moving parts and tighten the hardware. 2. Inspect pull pin frame fittings, making sure the fittings are snug. Loose frame fittings may strip out threads over time and cause extensive damage. 3. Clean and lubricate pop pin assemblies. Pull on the pin and spray a small amount of lubricant onto the shaft. 4. Tighten the seat hardware, making sure the seat is level and centered. 5. Brush and treat the resistance pads. Remove any foreign material that may have collected on the pads. Spray the pads with silicone lubricant. This helps to reduce noise from friction between the pads and the flywheel. 6. Visually inspect the bottom bracket, toe clips and toe straps. If any of them are loose or disconnected, attach and tighten. 	<p>LEATHER BRAKE PAD CARE (If Applicable)</p> <ol style="list-style-type: none"> 1. Perform this maintenance when the brake pad is first installed and for the life of the brake pad. Following these simple guidelines can increase the life of your brake pads. 2. Some brake pad assemblies are pre-lubricated. Squeeze the brake pad. If lubricant is released, then the pad has been pre-lubricated. 3. If the brake pad is dry, then coat the brake pad with 3-in-1 oil. Brush the leather with a clean, wire bristle brush, and then apply the oil. The oil should be allowed to soak into the pad. Repeat 4-5 times until the pad is saturated, but not dripping with oil. When the pad is saturated, it will no longer absorb oil. 4. Inspect the brake pad weekly and lubricate if needed. The pad should not have a glazed appearance. If the pad appears glazed, then brush it with wire brush and apply lubricant as needed. If any of the sponge padding is showing through the leather pad, the brake pad should be replaced.

BATTERY INSTALLATION & REPLACEMENT



BATTERY INSTALLATION

The meter uses 2 AAA batteries. Open the battery cover from the back of meter, then put 2 batteries into the battery compartment. Make sure the (+) and (-) ends of the batteries are in the correct position. Put the battery cover back.

BATTERY REPLACEMENT

If there is a problem with the display, try changing the batteries first. Open the battery cover, remove the old batteries, and replace with new batteries. Make sure the (+) and (-) ends of the batteries are in the correct position. Put the battery cover back. When changing batteries, always replace both with new batteries. Do not mix old and new batteries. Dispose the batteries according to the laws and regulations of your local region.

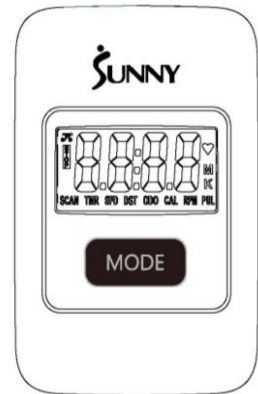
EXERCISE METER

FUNCTION BUTTONS

MODE:

1. Press the button for selection function display value on the meter.
2. Press the button and hold for 2 seconds to reset all values except odometer to zero.

Note: When the user replaces batteries, all the values will reset to ZERO automatically.



OPERATIONS:

AUTO ON/OFF: The meter will show the workout value automatically as the user begins to exercise. When the bike is inactive over 4 minutes, the meter will turn off and the workout value on the odometer will be held. When the user starts the exercise again, the workout value on Odometer will accumulate continuously.

AUTO SCAN: After the meter is powered on or the Mode button is pressed, it will display all function values: TIME-SPD-DST-CAL-ODO-RPM-PUL (repeat). Every function will display for 6 seconds.

FUNCTIONS:

SPD (SPEED): Displays the current speed being obtained. The range is from 0.0 to 99.9 MPH (Mile per Hour).

DST (DISTANCE): Counts the total distance of an exercise from start to finish. The range is from 0.00 up to 9999 M (Mile).

TMR (TIME): Counts the total time of an exercise from start to finish. The range is from 00:00 up to 99:59.

CAL (CALORIES): Counts the total amount of calories burned during an exercise from start to finish. The range is from 0.0 to 9999 KCAL. (The data is a rough guide which cannot be used in medical treatment.)

ODO (ODOMETER): Displays the total amount of distance from the first use. The range is from 0.0 to 9999 M (Mile). User also can press the mode key to display the odometer value.

RPM: Counts each stroke within a minute. The range is from 0 to 400.

PUL (PULSE): Displays the user's heart rate in beats per minute during training. (The data is a rough guide which cannot be used in medical treatment.)

NOTE: please put your hands on the hand pulses when in PULSE function.

Note:

1. If the meter display is abnormal, please re-install the batteries and try again.
2. Battery Spec: 1.5V UM-4 or AAA (2PCS).
3. The batteries must be removed from the appliance before it is disposed of safely.

CONNECT WITH US

FOR FITNESS
ARTICLES, VIDEOS
& WORKOUTS



@SUNNYHEALTHANDFITNESS



@SUNNYHEALTHFITNESS



@SUNNYHEALTHFIT



/SUNNYHEALTHFITNESS



/SUNNYHEALTHANDFITNESS

WWW.SUNNYHEALTHFITNESS.COM