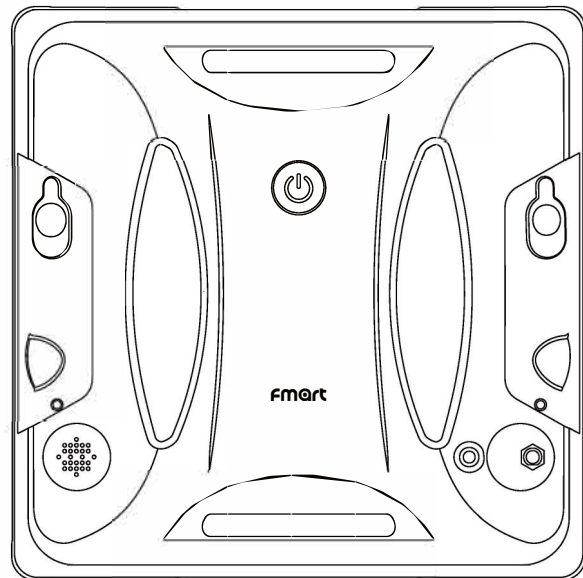




Please read the manual carefully before use and follow the steps in it



## Fmart Window Cleaning Robot

**W6**

**User Manuals**

Welcome to use Fmart window cleaning robot

If you have any problems during use, please contact our after-sales service center:

**Service Email: [service@fmart.com.cn](mailto:service@fmart.com.cn)**

There will be professionals for your questions.

If the device still does not work properly even if you followed the instructions, please contact the **Fmart customer service team**

## ※ Important Safety Precautions

**Please carefully read all the operating instructions before using this Product**

- Please be sure to follow the instructions and warnings related to this Product;
- Please keep the instruction manual properly;
- Please keep this Product and its accessories out of reach of children;
- Please do not place this Product in outdoor places with direct sunlight, high temperature, humidity and water;
- Children should be not allowed to operate this Product.

## ※ Warning

- Before using this Product, be sure to fasten the safety rope and tie it to indoor fixture to avoid danger. Before using the safety rope, please check whether it is broken or the knot is loose. This Product must be connected to the power supply at all times to work properly. For windows with no balcony, a danger-warning area must be set on the ground to prevent people from coming near it;
- Please fully charge the built-in battery (green indicator ON) before using this Product;
- Do not use the Product on rainy or humid days as moisture on the surface of the glass may prevent it from being completely wiped clean;
- Please turn power on before putting the Product onto window;
- When placing the Product onto window, make sure it sticks to the surface before removing the supporting hand;
- Please remove the Product after turning the power off. It is forbidden to remove the Product during use;
- Make sure to put the cleaning cloth onto the suction cup of the Product correctly to avoid air leakage; Remove any obstructions on window. Do not use on cracked window. Reflective or coated window may be scratched during operation by dirt on the window;
- Please fill the water tank with purified water and window detergent of Fmart, other detergents are not allowed;
- Empty the water tank before putting the Product away; and;
- Do not touch the ultrasonic water spray nozzle.

## ※ Safety information about power supply/battery

- Please connect the adapter to a proper power supply according to the voltage of the adapter. The adapter is a high-voltage electrical component. Do not try to repair the adapter. If the adapter or power cord is damaged, please contact Fmart or local dealer to replace the adapter;
- Do not place heavy objects on the Product, the adapter or the power cord;

- Allow adequate ventilation around the adapter when using it to operate the Product. Do not cover the power adapter;
- Do not place the Product and adapter in the environment with strong magnetic field or high temperature and humidity; Do not touch the adapter with wet hands or feet;
- The Product is designed with a non-removable battery;
- Use only the power adapter and power cord supplied with this Product. Use of other types of power adapters or power cords will result in malfunction and/or danger;
- The battery used in this Product may present a risk of fire or chemical burn if mistreated;
- Please charge the lithium battery every 4 to 6 months to conserve the battery life and ensure its normal use;
- Before using the Product, please ensure that the power cord is not dragged or close to the edge of sharp objects;
- Do not use this Product if the Product or accessories are defective or damaged; Do not use broken adapters and power cords;
- Turn off the power supply and unplug the adapter from the socket before disassembling, maintaining and cleaning the Product;
- This Product is not waterproof. Do not spray water or soak it when cleaning;
- Except for regular cleaning and maintenance as described in this manual, the repair and disassembly of the Product shall be operated by the technicians of local dealers;
- Do not dispose of this Product as household waste, instead, take it to the local recycling center for recycling electrical and electronic equipment.

## ※ Delivery prompt description for batteries

As Fmartwindow cleaning robot has a built-in lithium battery, the machine will have a small amount of remaining power before delivery, so you need to charge the battery immediately after receiving the product. The first charging time shall be within 3-5 hours. When charging, the green light flashes, and when fully charged, the green light is always on. (Note: Lithium batteries need to be charged every 2-3 months for maintenance)

## ※ Copyright announcement and trademarks

- Copyright by Fmart (Beijing) Robot Technology Corp., Ltd. All rights reserved. No part of this publication may be reproduced, transmitted, rewritten, stored in an information retrieval system or translated into any language or computer language, in any form or by any means, without the prior written consent of Fmart (Beijing) Robot Technology Corp., Ltd. All other trademarks, products, or company names mentioned in this manual are the properties of respective owners, and are used for informational purposes only.

## ✘ Disclaimer

Fmart (Beijing) Robot Technology Corp., Ltd. makes no claims or warranties, either expressed or implied, with respect to the contents hereof and expressly disclaims any warranties, tradability or suitability for any particular purpose. Besides, although this publication is carefully prepared by Fmart (Beijing) Robot Technology Corp., Ltd., we reserve the right to change this Product and revise related documents without providing prior notice since the improvement of this Product will continue. Users should be ultimately responsible for assessing where to use and safety when using this window cleaning tool.

## ✘ Warranty

If there are defects in your Fmart window cleaning robot due to faulty materials, poor workmanship or malfunction at the time of purchase or during the warranty period, please contact the local retailer or local authorized dealer for free repairs or replacement.

### **The following circumstances are not covered by warranty :**

- Normal wear (e.g. scratches under normal use), consumable items (e.g. cleaning cloth, water tank, ultrasonic water spray nozzle and safety rope), complimentary gifts and packaging materials;
- Reduction in battery discharge time due to battery age (1 year) or use;
- Damages caused by transportation, accident or violation of the product manual or usage tips.

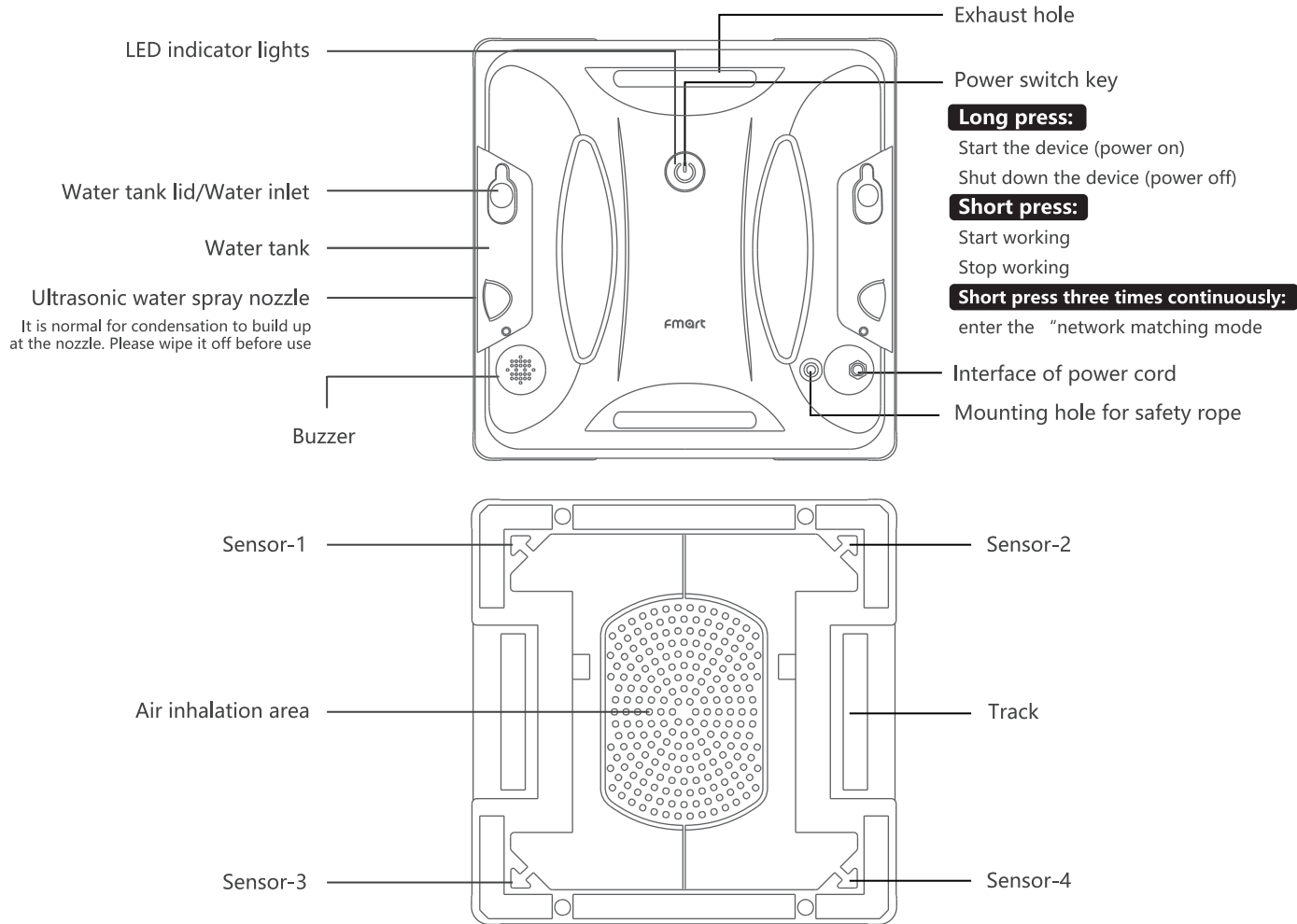
### **Damages caused by the following causes:**

- Damages caused by exceeding the allowable scope of application, misuse, abuse or negligence;
- Damages caused by violation of the instruction manual or usage tips; 。
- Damages caused by using this Product for purposes other than general household use or by using this Product outside the country where the Product was purchased;
- Damages caused by using materials and parts not originally supplied or by using parts and accessories in a manner other than that indicated in the instruction manual;
- Damages caused by using parts and accessories which are not specified by Fmart. If consumable items are needed, please contact the original supplier or local dealer;
- Damages caused by incorrect installation of replacement parts, repairing, refitting the Product by the user itself or repairing the Product by a maintenance service provider not authorized by the company.

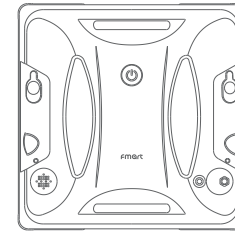
# ■ Table of Contents

01 Product introduction .....	01
02 Main accessories .....	02
03 Installation guide .....	03
04 Instructions for the Installation of Safety Rope .....	04
05 Instructions for the Installation of Power Supply .....	05
06 Replacement and cleaning of accessories .....	06
07 Instructions and cautions .....	07
08 Instructions and cautions .....	09
09 LED indicators and sounds .....	10
10 APP download and connection .....	10
11 Description on Remote Control .....	11
12 Basic parameters .....	12
13 Troubleshooting .....	13
14 Safety Precautions .....	14

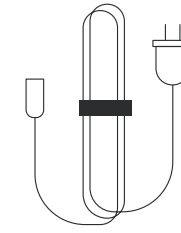
# Product introduction



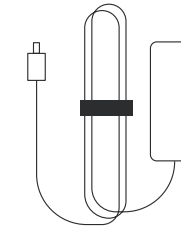
# Main accessories



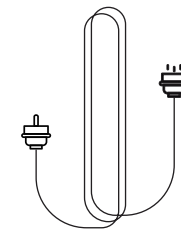
Main device



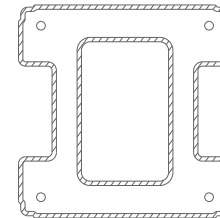
Charging plug



Adapter



Power cord



Cleaning cloth



Ultrasonic water spray nozzle



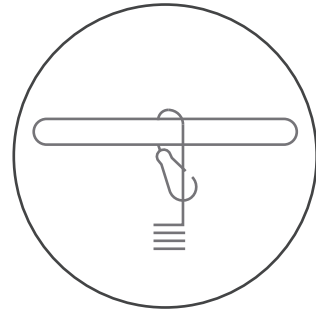
Remote control



Safety rope



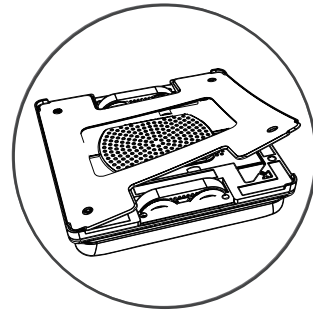
Instructions (Certificate of qualification)



Secure the safety rope



Lock the safety rope



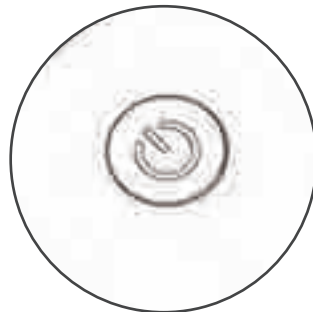
Install the cleaning cloth



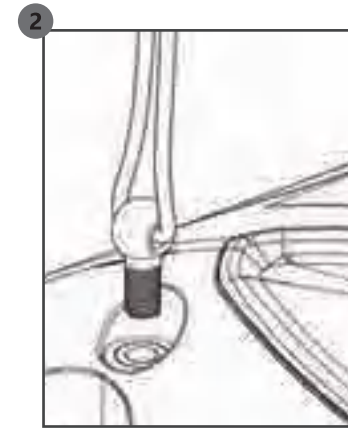
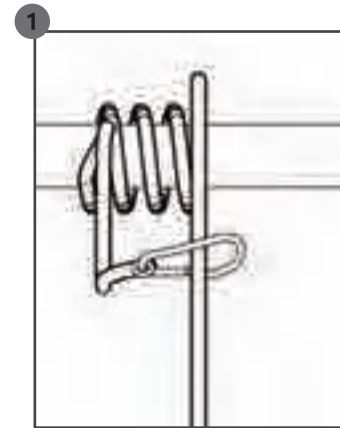
Inject water into the water tank



Install the power supply

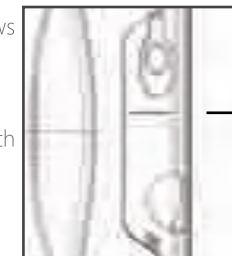


Get started

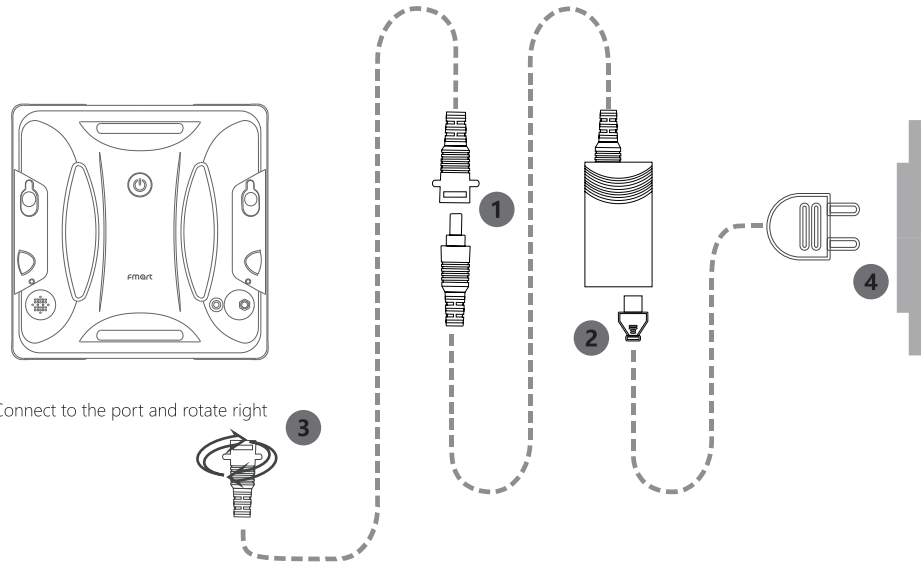


**Cautions:**

- 1.Ensure that the safety rope is not broken and the buckle is locked to prevent the device from falling at heights;
2. Fasten the metal screw at one end of the safety rope on the fixing screws of the device;
- 3.Ensure enough length of safety rope for device running;
- 4.Keep the cleaning cloth flat to avoid air leakage, and the cleaning cloth should not be too wet;
- 5.Water in the water tank shall not exceed the Max line of the water tank;
- 6.Make sure the tank lid is properly closed to prevent leakage;
- 7.Ensure the power cord is undamaged and firmly assembled to avoid electric leakage;

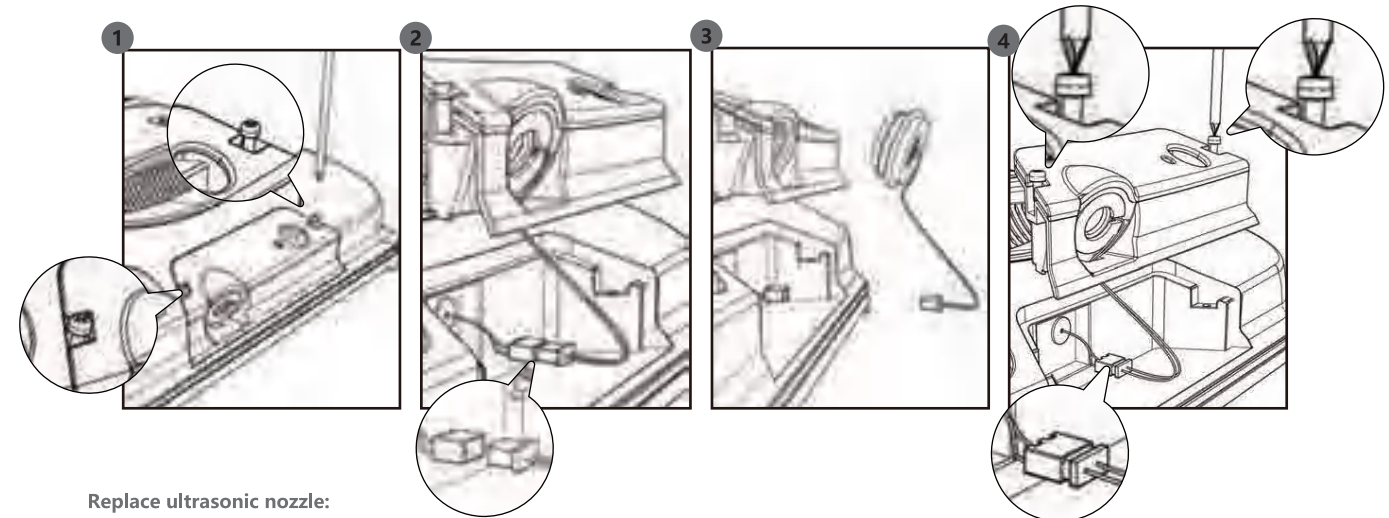


Max line of water tank



Connect to the port and rotate right

1. Connect the DC extension cable to the power adapter;
2. Connect the AC power cord to the power adapter;
3. Insert the L-shaped threaded plug into the power port of the robot and tighten it;
4. Plug the power cord into the socket.



### Replace ultrasonic nozzle:

- (1) Unscrew the two fixing screws with a screwdriver first. During the operation, please use the screwdriver carefully to avoid injuring yourself;
- (2) **Take out the water tank from the device;** As there is a power cable under the water tank, please ensure that the power cable has been unplugged before taking out the water tank from the device;
- (3) **Take out the ultrasonic nozzle;** the ultrasonic nozzle can be directly taken out;

**Install ultrasonic nozzle;** ensure that the ultrasonic nozzle is completely matched with the water tank, and that the ultrasonic nozzle is installed properly;

- (4) **Install water tank;** connect the power plug of the ultrasonic nozzle and tighten the screws to finish the installation. Now the machine can be used normally.

### Clean the track wheel:

When the track is covered with dust or water, the machine will slip and fail to move. In this case, it is best to wipe the track wheel before continuing to use it. Please follow the steps below:

- (1) Plug in the power cord, place the wheel of the machine upward, and long press the power switch key;
- (2) The track wheel will rotate continuously for 2 minutes;
- (3) When the track wheel is running, please slightly press the middle of the track wheel with a clean wiping cloth for wiping; if the wiping cloth is drawn into the wheel, please turn off the power supply and take out the wiping cloth.

### I. Inspection of the device and working environment


1. Check whether the safety rope is damaged. If there is no damage, please secure the safety rope and check whether it is locked on a solid object that will not move and deform;
2. Check whether the glass is damaged or cracked. Do not use this Product in rainy days or when the glass is wet and foggy;
3. Please use this Product on vertical glass. When it is used on cant glass, please be cautious and keep an eye on the operation. If necessary, use the remote control;
4. It is normal for the device to stand still at some edges for a few seconds, as it is testing the resistance;
5. In case of unexpected power failure, the internal battery will keep the device attached to the glass for at least 20 minutes and an alarm will be given. Please remove the device or restore the power supply as soon as possible;
6. If the device needs to be placed outside for aloft operation, safety warnings must be set on the ground to prevent accidental personal injury.

### II. Cleaning tips

1. Please use a wet cleaning cloth;
2. If there is a lot of sand and dust on the glass, please use a dry cleaning cloth to wipe small hard sand and dust off the glass first, then change the cleaning cloth from used to new to avoid scratching the glass;
3. The remote control can be used to turn on or off the water spraying function;
4. The cleaning cloth should not be too wet, and the wet cleaning cloth should be used after drying;
5. Please use the original cleaning cloth, otherwise the performance of the device will be affected.

### III. The proper way to use the cleaning cloth

It is not recommended to use an over-wet cleaning cloth, which may cause the device to slip and fall off. Please ensure that no accidental injury will be caused. If you really need to use an over-wet cleaning cloth, be sure to follow the following steps:

1. Soak the cloth in clean water, wash off the dirt on the surface, squeeze out the excessive water, and dry the cloth as far as possible by drying;
2. Select the dry clean function to clean, and use the button on the remote control  (off) to spray water;
3. When the device starts to move, it will slide downward or stand still at the edge, which is caused by excessive water. Please observe whether the device gradually returns to normal. If not, please repeatedly absorb the water from the cloth with tissue until the device returns to normal.

### IV. Starting

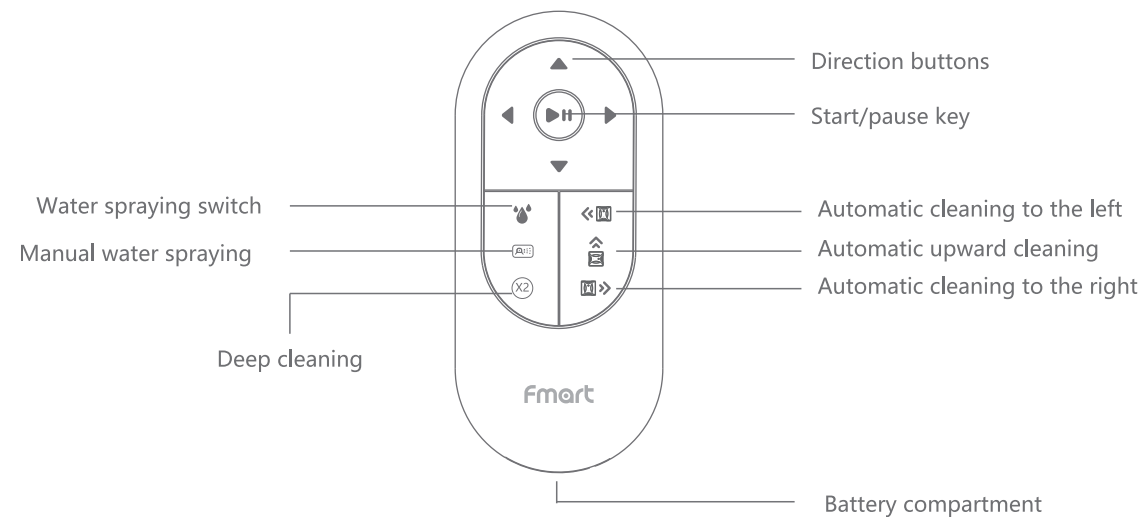
1. Ensure that the safety rope is secured firmly and the power cord and the plug are connected;
2. Press the power button for more than three seconds to start the device, and put the device in a position far away from window frames after the rotating of the fan is confirmed;
3. Do not let go of the device until you ensure that it is sucked onto the glass;
4. Short-press the Start button and the device starts to move.

### V. Take off the device

1. When the device stops operation, long-press the circular button to turn off the device;
2. In case of hands not capable of touching the device, the remote control can be used to order the device to go to the position that you can reach, and then take off the device;
3. When the device is out of reach and the remote control is unavailable, pull the safety rope closely along the glass, and pull the device back to where you can reach and then take off the device.



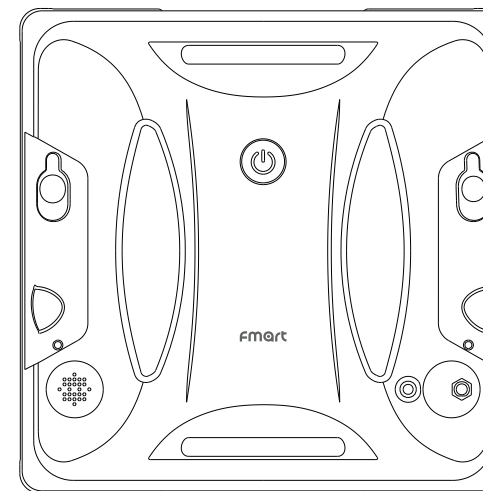
## Description on Remote Control



### Note:

- 1.Press the Stop button between orders to prevent misoperation;
- 2.Take out the battery insulation film in the battery compartment before use.

## Basic parameters



Device model: W6

Device weight: 1250g

Body size: 245\*245\*86.2mm

Battery capacity: 750mAh

Rated voltage: 24V 

Rated power: 90W

Charging current: 300mA

Power-off endurance: ≥20min

Variable-frequency suction: ≤3800pa

Water tank capacity: 25ml\*2

Time for full charging: 140min

Problem description	Solution
The red light flashes	Check the corresponding parts of the machine according to the voice prompt and then restart the machine. If the failure cannot be resolved, please contact customer service.
	Check whether the machine's cleaning cloth is installed correctly.
	Check whether the sensor is blocked.
	In case of unexpected power failure, please remove the machine or restore the power supply as soon as possible; after a power failure, the internal battery of the machine can ensure that the machine remains attached to the glass for 20 minutes only.
The red light is always on	Please charge the machine when the battery is low; it can be used normally after the indicator light turns green.
The machine slips downwards during operation	Check whether there is water on the track of the machine; if so, please use toilet paper to absorb the water on the track.
	Check whether there is too much moisture in the glass area where the machine is placed; if so, please use toilet paper to absorb the moisture.
	The cleaning cloth is too wet. Replace it with a new one before use.
	The glass has been wiped clean.
There are residual marks after cleaning by the machine	Replace the cleaning cloth and clean again.
Abnormal operation of the machine during cleaning	Clean the track (referring to Point 2 on Page 06 of the Instructions) and replace a clean cleaning cloth.
	Check whether there are stickers and other attachments on the glass, and whether there are stubborn stains (oil stains) or sticky objects on the glass surface.
When the machine stops running at the edge or corner of the glass, the red light flashes and reports that the pressure is too low	Because the glass has no frame or the rubber strip of the glass frame is flat, the machine will have air leakage quickly when moving. To ensure safety, the machine will stop cleaning, and will start automatic cleaning after it is placed far away from the frame.
The device stops spraying during its operation	Check whether there is water in the water tank.
	Check whether the function of stopping spraying of the remote control is used.
	Check whether the ultrasonic nozzle is blocked.

**⚠ Please follow the safety tips during using the product:**

1. Do not use the safety rope when it is broken. Set warning signs on the ground during working at heights;
2. This product cannot be drenched with water;
3. Do not use it on cracked glass;
4. Please turn off the device when cleaning the body to avoid personal injury;
5. Do not get close to the rotating part of the device;
6. Properly use the device according to the instructions, and do not disassemble it without permission;
7. The thickness of glass frame shall be greater than 3mm;
8. After use or when cleaning the device, turn the device off and remove power plug to prevent accidents.

**⚠ Battery and charging**

1. Please do not use any third-party charger, or disassemble and reassemble the main device, battery and charger without permission;
2. Do not use the charger if it is damaged, please contact customer service;
3. Keep the device away from heat sources;
4. Do not squeeze the device;
5. If the device is not in use for a long period of time, please store it in a dry and cool place with full charge. The battery will need to be fully charged every 3 months to prevent damages caused by over discharge.