

## USER MANUAL

**IMPORTANT:**  
Save this manual for  
future reference



## Roami Progressive Mobility Aid

---

REF

100.100 - Roami - Rose Gold  
100.102 - Roami - Urban Blue  
100.104 - Warrior - Camo  
100.106 - Roami - Charcoal  
100.108 - Roami - Red

100.101 - Roami - Rose Gold 2 Wheel  
100.103 - Roami - Urban Blue 2 wheel  
100.105 - Warrior - Camo 2 wheel  
100.107 - Roami - Charcoal 2 wheel  
100.109 - Roami - Red 2 wheel

---

<b>1.</b>	<b>Introduction .....</b>	<b>PG 3</b>
<b>2.</b>	<b>Contents of Box.....</b>	<b>PG 4</b>
<b>3.</b>	<b>Safety .....</b>	<b>PG 6</b>
<b>4.</b>	<b>Features .....</b>	<b>PG 8</b>
<b>5.</b>	<b>Assembly .....</b>	<b>PG 10</b>
	<b>5.1 Fitting the Rear Lower Legs .....</b>	<b>PG 11</b>
	<b>5.2 Unfolding the Roami PMA for Use .....</b>	<b>PG 13</b>
	<b>5.3 Adjusting the Height to Suit the User.....</b>	<b>PG 16</b>
	<b>5.4 Folding Up the Roami PMA for Storage .....</b>	<b>PG 18</b>
<b>6.</b>	<b>Instructions for Use .....</b>	<b>PG 20</b>
	<b>6.1 Deploying and Retracting the Wheels .....</b>	<b>PG 21</b>
	<b>6.2 Using the Roami PMA like a Walker .....</b>	<b>PG 22</b>
	<b>6.3 Using the Roami PMA like a Rollator .....</b>	<b>PG 23</b>
	<b>6.4 Using the Roami PMA like a Stair Assist Up Stairs .....</b>	<b>PG 24</b>
	<b>6.5 Using the Roami PMA like a Stair Assist Down Stairs.....</b>	<b>PG 29</b>
	<b>6.6 Using your Roami PMA to Align Gait.....</b>	<b>PG 34</b>
<b>7.</b>	<b>Maintenance .....</b>	<b>PG 35</b>
<b>8.</b>	<b>Warranty/Replacements .....</b>	<b>PG 35</b>
<b>9.</b>	<b>Technical Specifications .....</b>	<b>PG 36</b>
<b>10.</b>	<b>Support .....</b>	<b>PG 36</b>
<b>11.</b>	<b>Replacement Parts .....</b>	<b>PG 37</b>

# 1. INTRODUCTION

Congratulations on purchasing the Roami Progressive Mobility Aid (PMA). Roami is a revolutionary articulating walking frame that adapts to your needs as you walk over different surfaces and terrains. Roami functions as a walker, rollator and stair climber in one. Roami also offers infinite angle adjustment to assist with posture, gait, and stability. Mobilate hopes that Roami will help increase your mobility and improve quality of life.

**SAFETY NOTE:** Like any mobility device, the physical and mental capabilities of the user must match the capabilities of the product. Misuse or misapplication of this product could result in significant injury or death. Before using the Roami PMA:

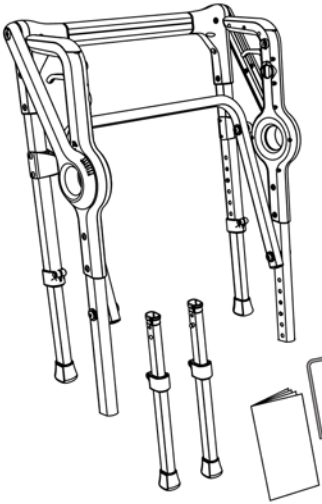
- Talk to your health care professional and make sure the Roami PMA is the right mobility aid for you.
- Review this User Manual carefully. Pay extra attention to the safety information on pages 6 and 7.
- Important safety information is also found throughout the manual and highlighted by this symbol:



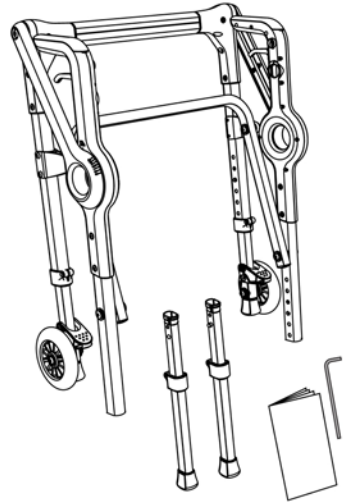
- **If you are happy and satisfied with Roami, please let us know. We would love to hear from you. If you aren't completely satisfied, or have any questions, you can leave your comments with Mobilate at:  
+1.423.651.0137  
[www.roamiwalkers.com](http://www.roamiwalkers.com)  
[technicalsupport@mobilateus.com](mailto:technicalsupport@mobilateus.com)**

1 x Roami Progressive Mobility Aid  
2 x Legs with Grip Feet  
1 x Instruction Booklet  
1 x 2.5mm Allen Key

1 x Roami Progressive Mobility Aid  
2 x Retractable wheels  
2 x legs with Grip Feet  
1 x Instruction Booklet  
1 x 2.5mm Allen Key



OR



2.5mm Allen Key needed for assembly of the Roami PMA.



### 3. SAFETY



Above is the safety alert symbol. It is used to alert you to important safety information. To avoid the risk of accidents, personal injury and death, read and obey all safety messages that follow this symbol.



Before using the Roami PMA:

- Make sure the Roami PMA is the right product for you.
  - Be sure to consult with a health care professional. This product may not be suitable for use by persons having high risk conditions.  
For example:
    - If they are not mentally coherent (including from medication),
    - Do not have the cognitive ability to follow the instructions,
    - Are physically unstable or do not have the strength to utilize a walker or similar device,
    - If they exceed the recommended weight limit (300 lbs./ 130 kg),
    - If they have any other condition that would impede their ability to properly use Roami such as frequent dizziness or disorientation.
- Make sure you read, understand and follow all instructions before assembly and use. This includes instructions for optional equipment.
- Proper assembly, use and product maintenance are also required to help assure your safety.
- The instructional videos are intended to demonstrate how the Roami PMA can be used. View the videos after you read the User Manual.
- If you still have questions after reviewing the User Manual or demonstration videos:
  - Contact your health care professional to discuss medical issues.
  - Contact Mobilate for any questions regarding assembly, set-up and maintenance of the product.



Important safety rules when using the Roami PMA:

- Be aware of the surrounding surfaces when using the Roami PMA - such as electrical cords, debris etc.

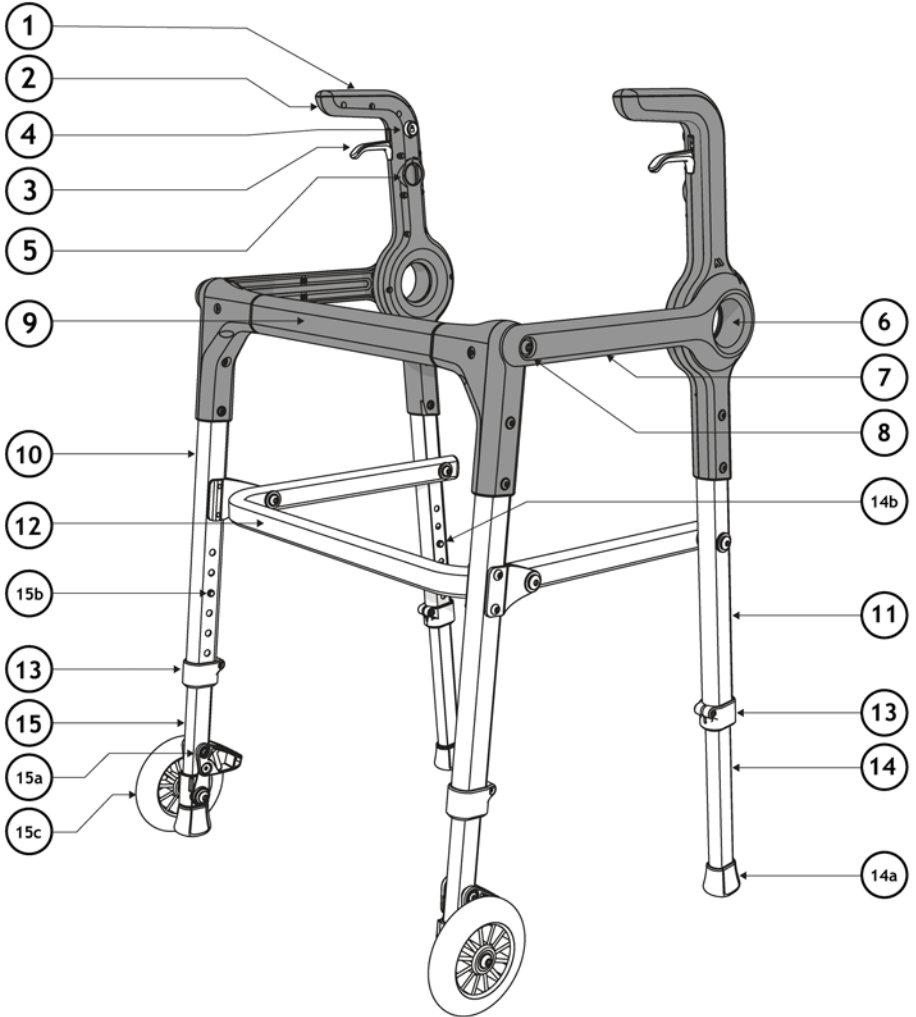
- ALWAYS use caution when using the Roami PMA, especially on wet, icy or slippery surfaces.
- Do not use the Roami PMA on an escalator.
- Make sure that the accessories are properly installed and securely in place before use.
- Make sure that the rubber tips and/or plastic Grip Feet are not ripped, worn or missing.
- The legs must be adjusted to the same height when using as a walker or a rollator.
- Do not hang anything on either side of the Roami PMA frame (this includes the levers/handles on either side). This may cause the Roami PMA to tip or be unstable.
- Do not sit on the front cross-member. Do not use the cross-member or rigidizer as support.
- Do not leave or store the Roami PMA outside.
- Do not use with any other accessories unless specifically supplied or recommended by manufacturer.
- Stop using the Roami PMA and seek medical attention immediately if you feel weak, sick or suddenly dizzy.
- You should always feel comfortable using the Roami PMA. If you are ever uncertain about how to use the Roami PMA, please contact the manufacturer, Mobilate.



Special safety concerns for the stair climber/ descender options:

- The Stair climber / descender options are intended to be used on short flights of stairs such as home entryways. Do not use on long flights of stairs such as between floors of a home or building.
- Contact your health care professional to determine if this activity is right for you.
  - You must have the strength necessary for this activity.
  - You must not have a medical condition that can involve dizziness or disorientation.
- Do not use these options if you are uncertain about how to adjust the walking frame with the safety button and levers. Contact the manufacturer, Mobilate, to help learn how to use these options.
- When using on stairs, do NOT progress to the next step until the walking frame is locked in place.
- Do not use in wet or slippery conditions.
- Carefully follow the steps outlined in Section 7 of this user manual.

## 4. FEATURES



1. Replaceable handle grips
2. Handle
3. Lever
4. Safety button
5. Fold lock
6. Cam-Lok
7. Side arm
8. Front pivot
9. Front cross-member (including padded wrap)
10. Front leg upper
11. Rear leg upper
12. Rigidizer
13. Leg cuff
14. Lower leg
  - a. Grip foot
  - b. Telescoping spring pin
15. Lower leg with wheel assembly
  - a. Foot pedal
  - b. Telescoping spring pin
  - c. Wheel

# 5

## ASSEMBLY



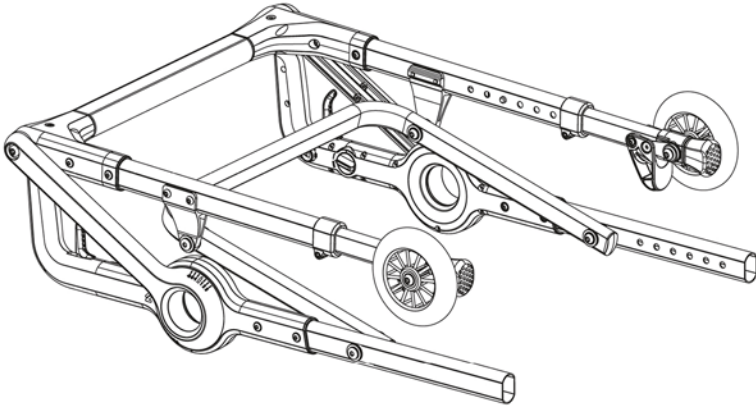
**For safety and stability, your Roami PMA must be properly assembled before any use. Do NOT use unless it is properly assembled.**

Your Roami PMA comes almost fully assembled. You will need to simply install (affix) the rear legs and adjust the height on front and back legs prior to first use.

If you are unable to properly assemble Roami, please contact the manufacturer, Mobilate at:

[technicalsupport@mobilateus.com](mailto:technicalsupport@mobilateus.com)  
+1.210.284.1312

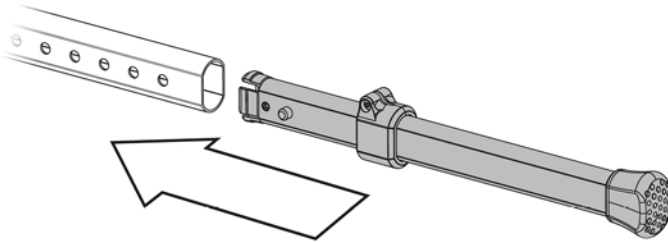
## 5.1 FITTING THE REAR LOWER LEGS



### 5.1.1

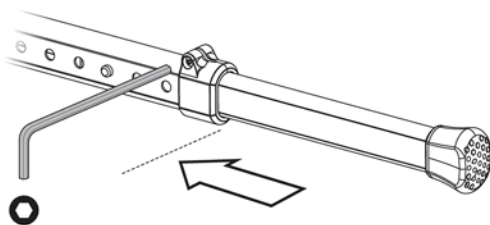
Lay the folded Roami PMA on a flat surface.

---



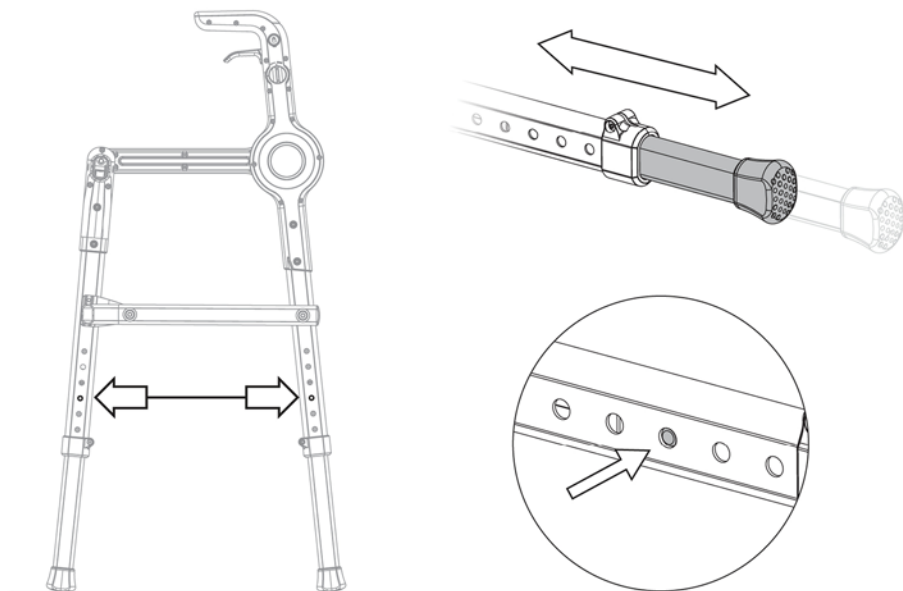
### 5.1.2

Slide the Lower Leg (15) assembly inside the Rear Leg Upper (11) making sure to keep the Spring Pin (14b) inside the leg facing to the inside of the Rear Leg Upper (11) to align with the adjustment holes when fitted.



### 5.1.3

Once the Lower Leg (15) is slid inside the Rear Leg Upper (11) slide the Leg Cuff (13) up onto the end of the Rear Leg Upper until it is all the way home and well seated. Hold the Leg Cuff (13) in position on the Rear Leg Upper (11) and tighten the locking screw to secure the Leg Cuff (13) in position.

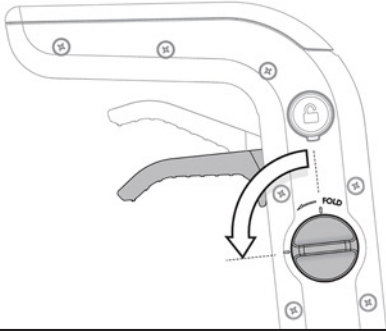


### 5.1.4

Adjust height of rear Lower Legs by depressing the Spring Pin (14b) and sliding the leg up or down. You should adjust so that Spring Pins are in the same hole number on all 4 legs.

Don't worry about adjusting the overall product height yet, that will be addressed later in the manual.

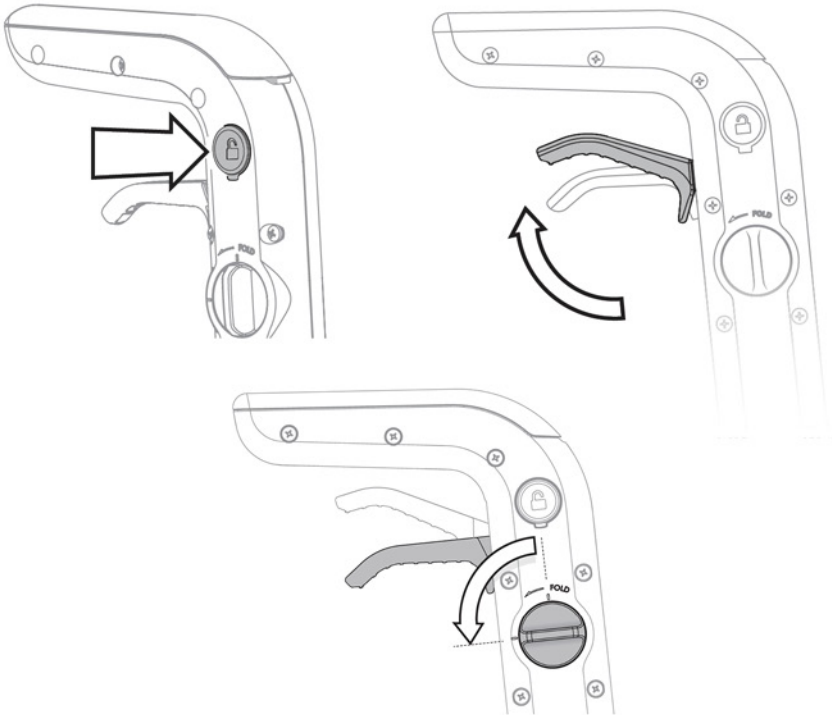
## 5.2 UNFOLDING THE ROAMI PMA FOR USE



### 5.2.1

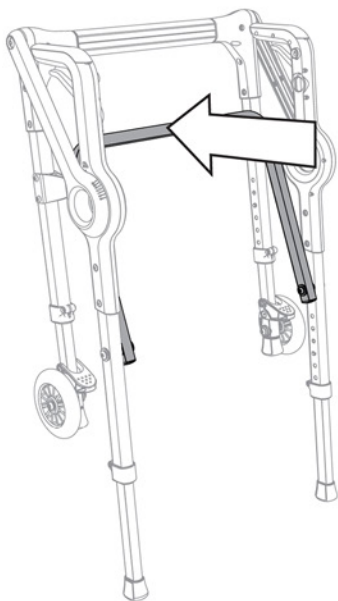
To start check that the Fold Lock (5) is set to fold position (horizontal). If it is, proceed to step 5.2.3

If not proceed to 5.2.2



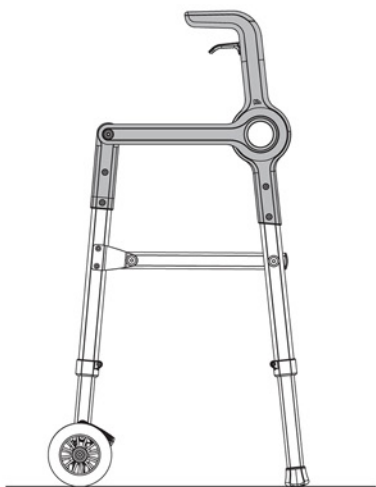
### 5.2.2

If the Fold Lock (5) is in the vertical position, press the Safety Button (4), squeeze the Lever (3) and while holding the Lever (3) turn the Fold Lock (5) 90° to the horizontal position. Repeat for the other handle. The Roami PMA is now free to unfold.



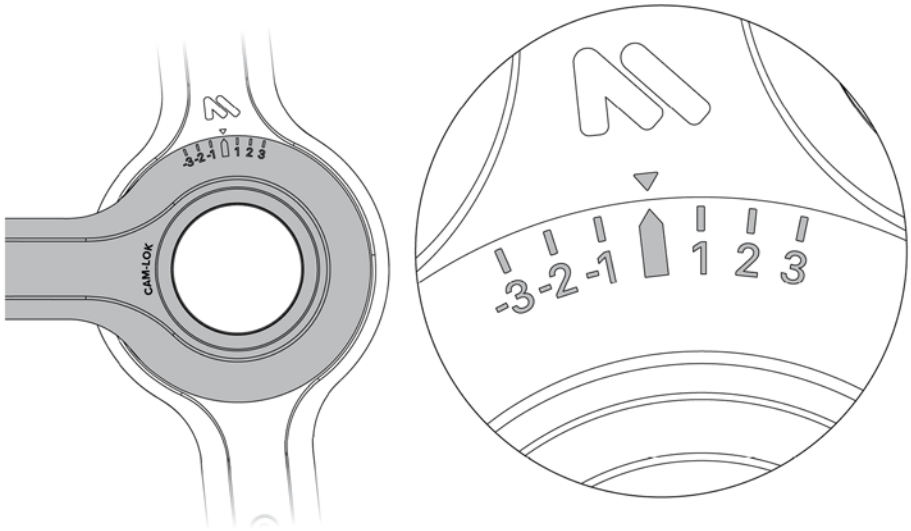
### 5.2.3

To unfold the Roami PMA, push the Rigidizer (12) away from you as shown.



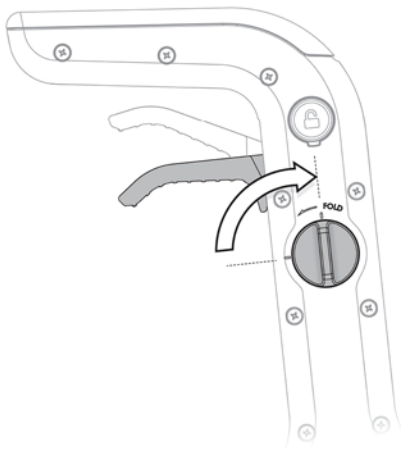
### 5.2.4

All 4 legs will be touching the ground.



### 5.2.5

Adjust the angle on the Cam-Lok (6) to your desired position. (See Section 7.6.1 for instructions on adjusting the Cam-Lok angle.)



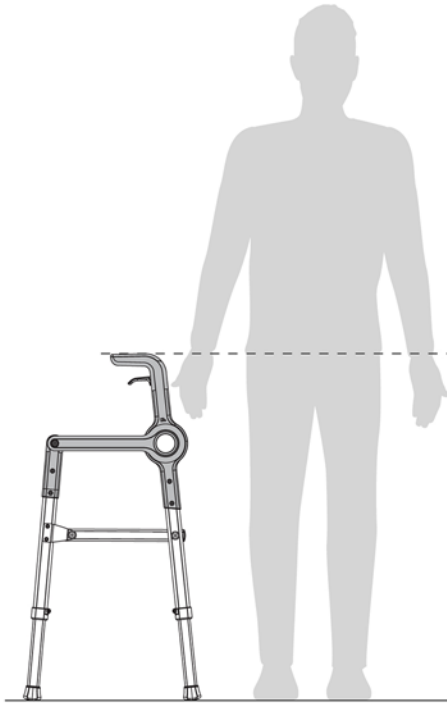
For safety and stability, you **MUST** turn the Fold Lock (5) 90° back to locked (vertical) position prior to using the Roami PMA as a walking aid.

### 5.2.6

Now turn the Fold Lock (5) 90° to the locked (vertical) position shown. The Lever (3) and Safety Button (4) will move into their default position. Listen for the “click” sound and feel it engage the locking mechanism.

Roami is now ready for height adjustment.

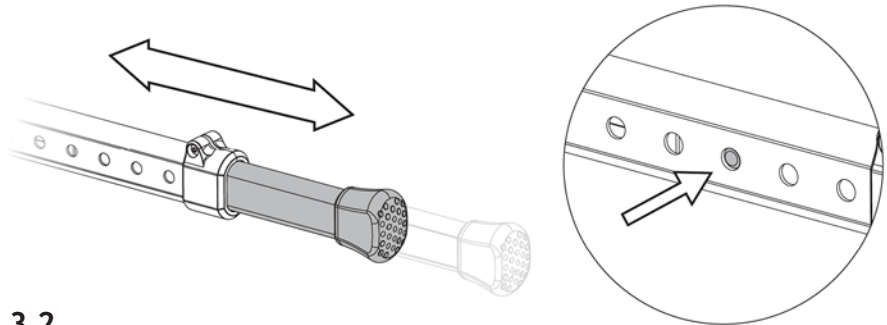
## 5.3 ADJUSTING THE HEIGHT TO SUIT THE USER



### 5.3.1

Stand with your shoulders relaxed and your arms hanging loosely at your sides.

The Roami PMA handle height should be at the crease of your wrist when your arm is at its side.

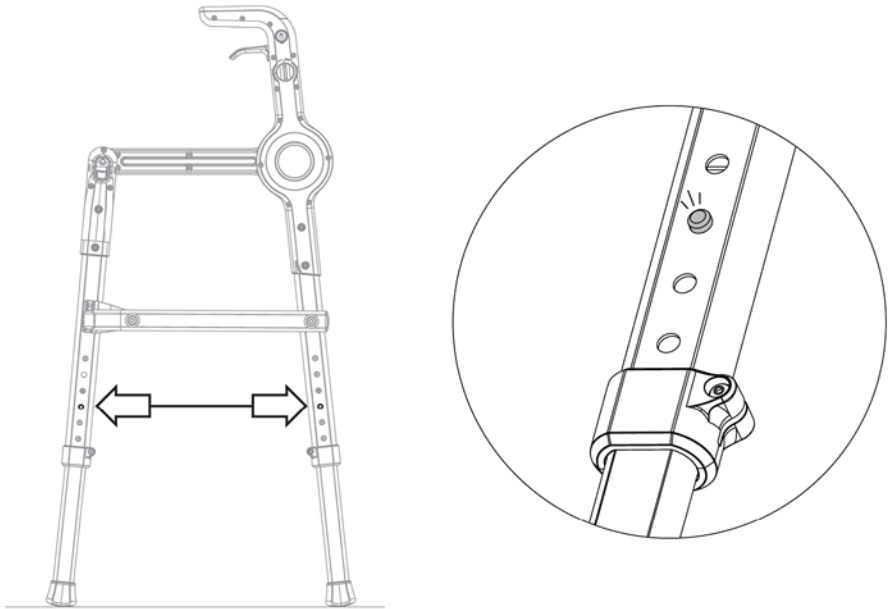


### 5.3.2

Adjust the Lower Leg (15) heights by depressing the spring pins and sliding the Leg up or down.

### 5.3.3

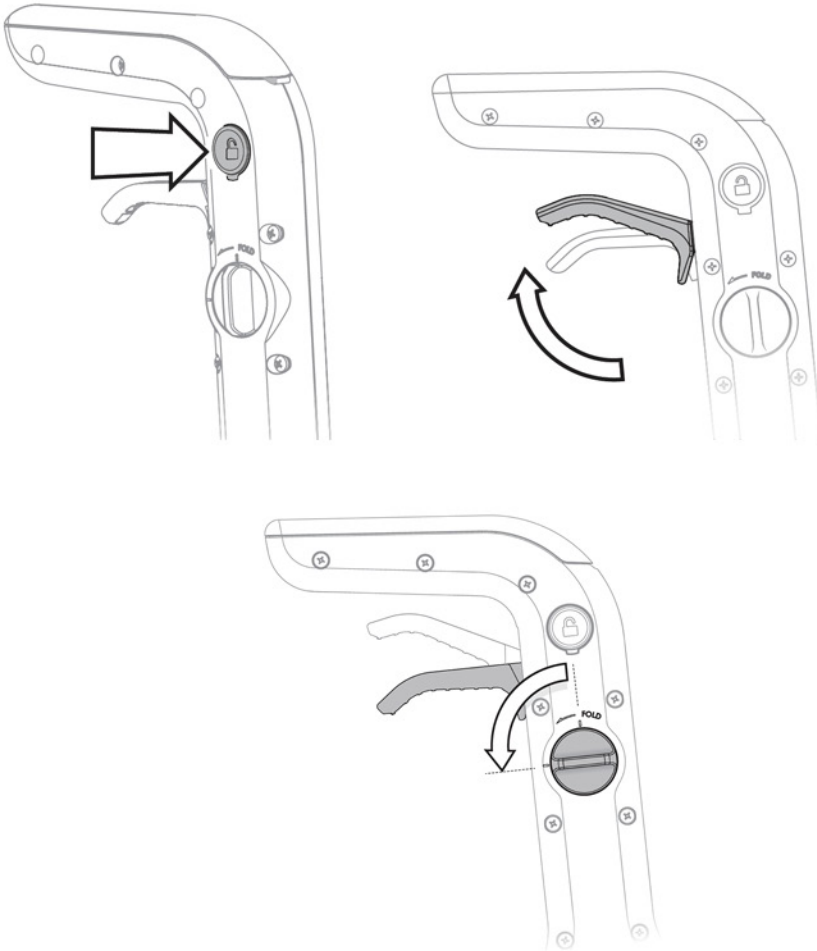
Make sure all legs are set to the same height.  
The Roami PMA is now ready for use.



### 5.3.3

Ensure all 4 Lower Legs are adjusted to the same height position and the Spring Pins (14b and 15b) are fully engaged in their holes after adjustment.

## 5.4 FOLDING UP THE ROAMI PMA FOR STORAGE



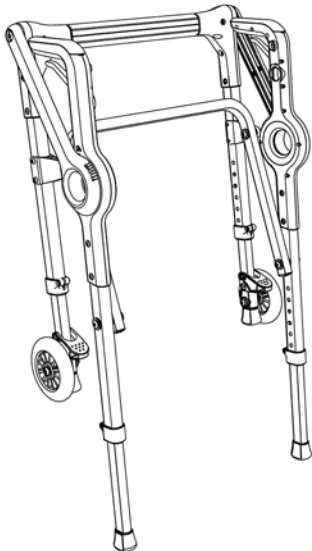
### 5.4.1

With the Fold Lock (5) is in the vertical position, press the Safety Button (4), squeeze the Lever (3) and while holding the Lever (3) turn the Fold Dial (5) 90° to the horizontal position. Repeat for the other handle. The Roami PMA is now free to fold.



### 5.4.2

To fold up the Roami PMA, pull the Rigidizer (12) up toward you when the product is standing up.



### 5.4.3

Unit is now folded and ready to transport. (Refer to 6.2 to unfold the Roami PMA for use.)

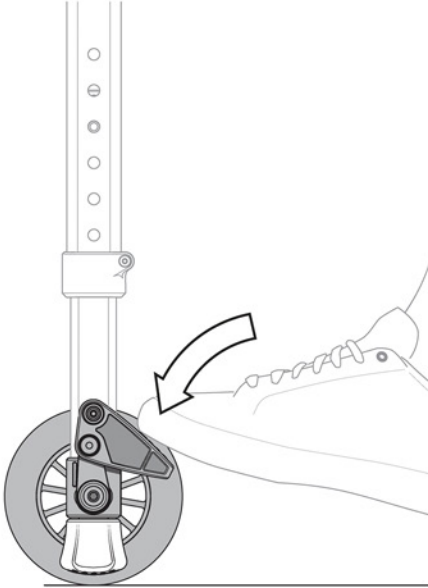
# 6

## INSTRUCTIONS FOR USE



The Roami PMA can be used in a number of different ways. The abilities of the user must match the capabilities of the Roami PMA. Pay close attention to highlighted safety information.

## 6.1 DEPLOYING AND RETRACTING THE WHEELS



The wheel option is intended for flat surfaces only. Do not use with the wheels down going up or down on stairs.

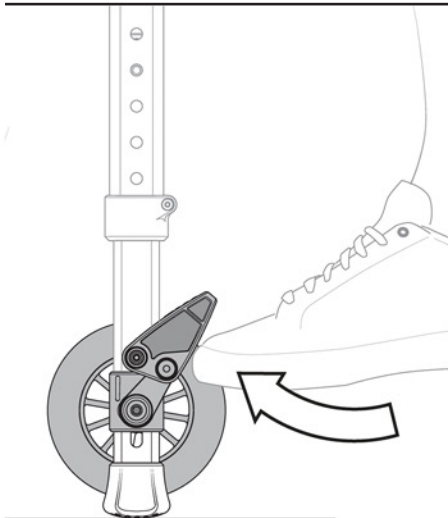


Use the wheel option with care. There are no brakes.

### 6.1.1

Some models of the Roami PMA come with retractable wheels on the front legs.

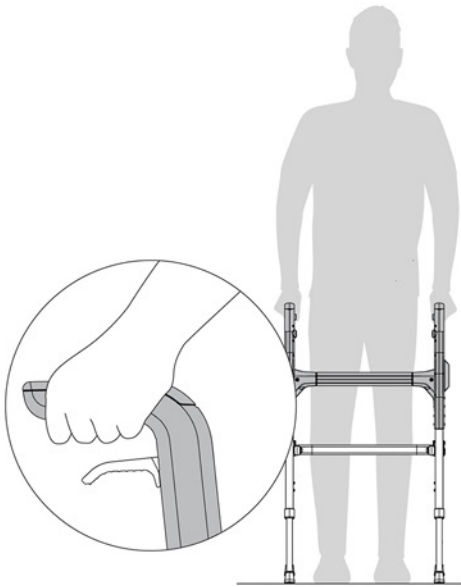
To engage the Wheel (15c), simply pushdown on the Foot Pedal (15a) until you feel it lock down and the wheel with the ground. Repeat with the other leg.



### 6.1.2

To stow the Wheel (15c), place your toes under the Foot Pedal (15a) and lift up until the Foot Pedal (15a) locks into the raised position. The Wheels will be lifted and the Grip Foot (14a) engaged with the ground.

## 6.2 USING THE ROAMI PMA LIKE A WALKER

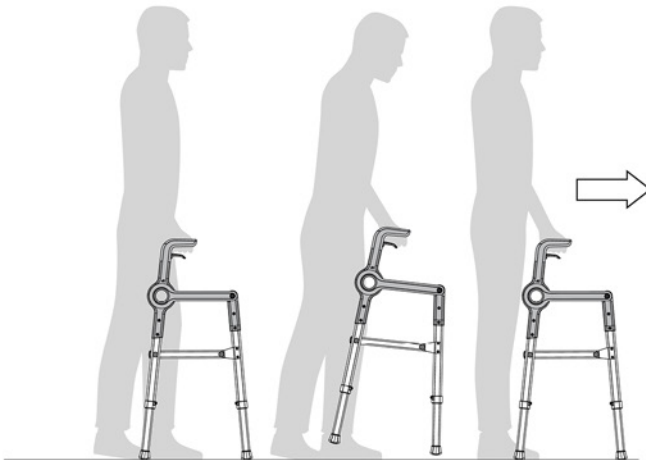


### 6.2.1

When set up with no wheels (or wheels up), the Roami PMA operates like traditional walkers.

While gripping the Handles (2), position yourself between the arms within the boundaries of the Roami frame.

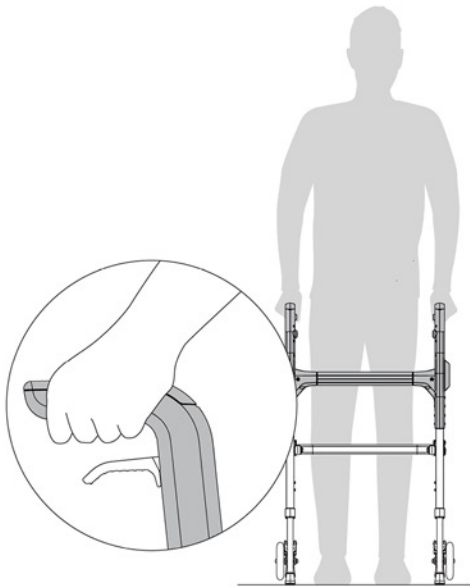
Keep the body centered, in balance and with both hands on the handles as you step forward.



### 6.2.2

Step forward with your weaker leg first, putting weight on the palms. Keep within the boundaries of the Roami frame. Lift Roami with each step, then set back down.

## 6.3 USING THE ROAMI PMA LIKE A ROLLATOR



This option is intended for use on only flat surfaces!

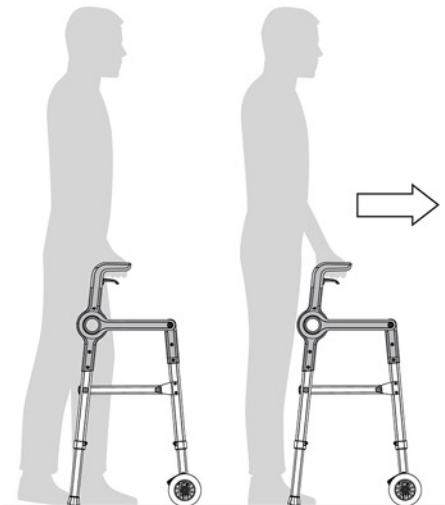
Never use the rollator option on stairs or sloping surfaces.

Always raise the wheels before going up or down stairs and on sloping surfaces.

### 6.3.1

When the retractable wheels are on the front legs of Roami, it operates as a rollator.

While gripping the Handles (2), position yourself standing between them with the Roami PMA slightly in front of you.



### 6.3.2

Slide the Roami PMA forward to the extent of your comfortable reach and then, while supporting your weight on the Handles (2), take a step forward.

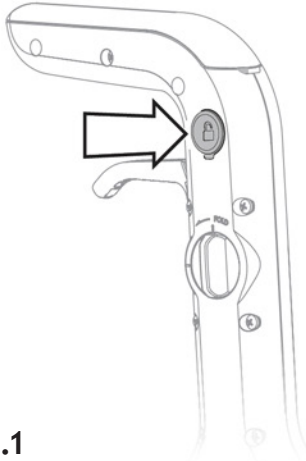
Once balanced and comfortable, repeat the motion to complete another step.

## 6.4 USING THE ROAMI PMA LIKE A STAIR ASSIST UP STAIRS



**Special precautions are required when using the stair climber function. Read and follow these instructions.**

- Consult with your medical provider to make sure that he or she feels this task is appropriate for you.
  - You must have adequate strength and endurance for this activity.
  - Persons prone to dizziness or disorientation should not use this function.
- The Stair climber / descender options are intended to be used on short flights of stairs such as home entryways. Do not use on long flights of stairs such as between floors of a home or building.
- Make sure the Roami PMA is working properly, and that parts are locked into place.
- Have someone help you until you are completely familiar and comfortable with this activity.
- Make sure the wheels are up and locked at all times.
- Before you begin, read and understand all the following instructions and safety messages. Carefully follow steps 6.4.1 thru 6.4.9 as shown below.



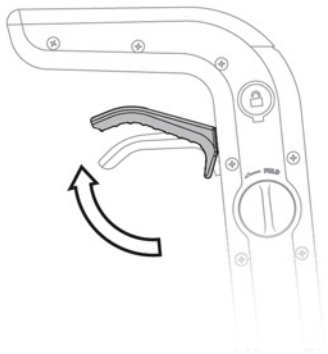
### 6.4.1

Press both Safety Buttons (4) inwards until they engage. Note: The Safety Buttons (4) should stay depressed until the Levers (3) are depressed and released.



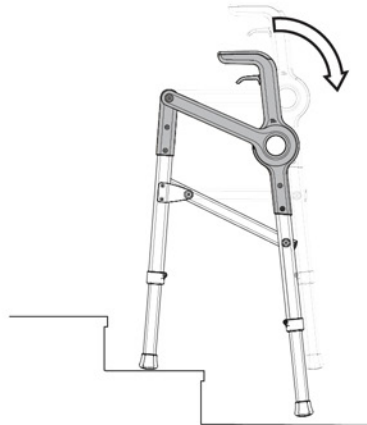
### 6.4.2

At the bottom of a stairway (or sloping ground), lift the front feet or wheels up onto the first step.

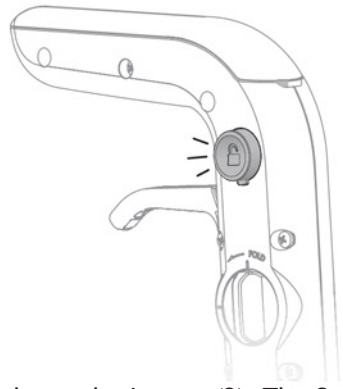
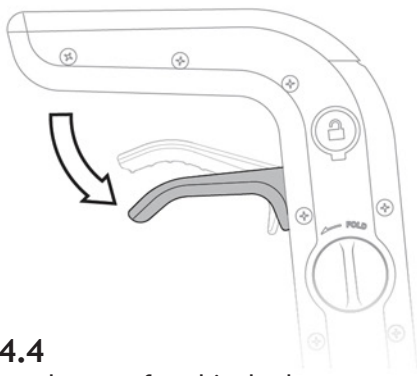


### 6.4.3.

Grasping both Handles (2), squeeze both Levers (3) simultaneously. The product will adjust to the height of the stairs under its own weight.



Note: The safety buttons should stay depressed until the levers are squeezed and released.

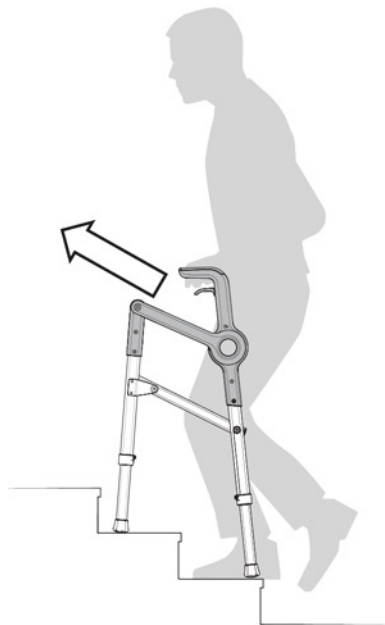


#### 6.4.4

Once the rear feet hit the lower ground, release the Levers (3). The Safety Buttons (4) will spring out and re-engage. Listen and feel for the “click” sound of Roami automatically locking into place at the proper angle of the stairs or slope.

Before progressing with a step, ensure with your hands on the handles that Roami feels locked into place.

---



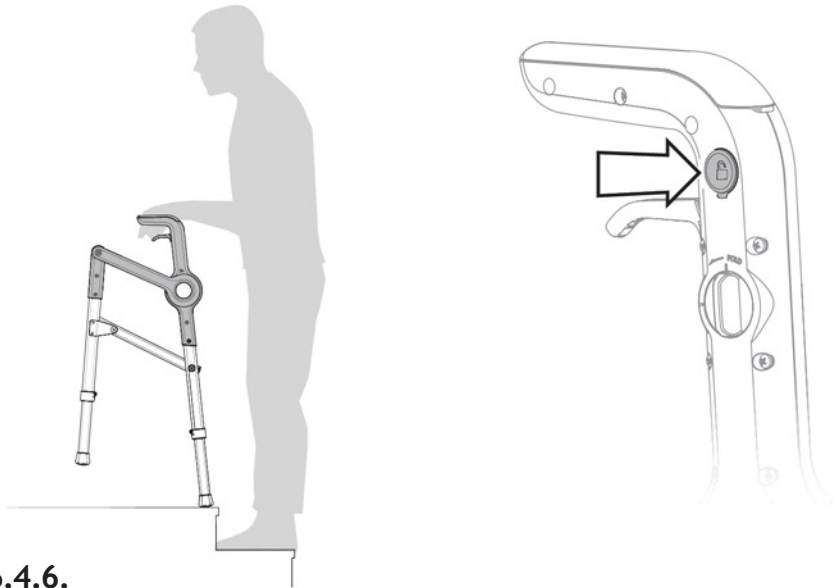
**Do not go up stairs or slopes without making sure the Roami PMA is locked.**

#### 6.4.5.

Continue up the stairs or slope with the Roami PMA locked in it's adjusted position. Move Roami up to the next step before raising feet to the next step.

**Note:**

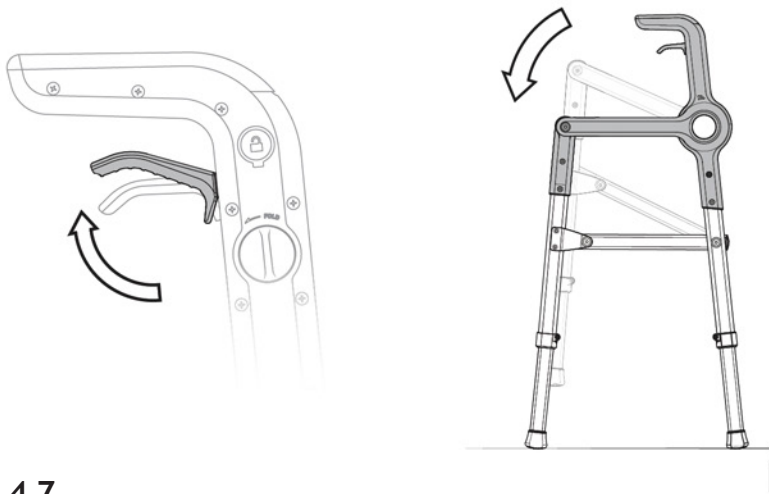
When walking up or down stairs, always lead with the stronger leg.



#### 6.4.6.

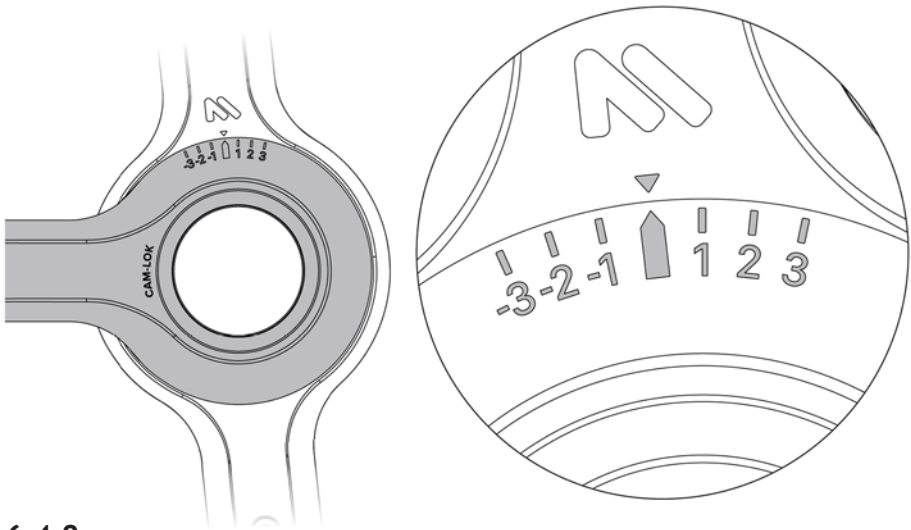
Once at the top, keep feet on step below. Position the Roami PMA on the top step, press both Safety Buttons (4) inwards until they both engage.

---



#### 6.4.7

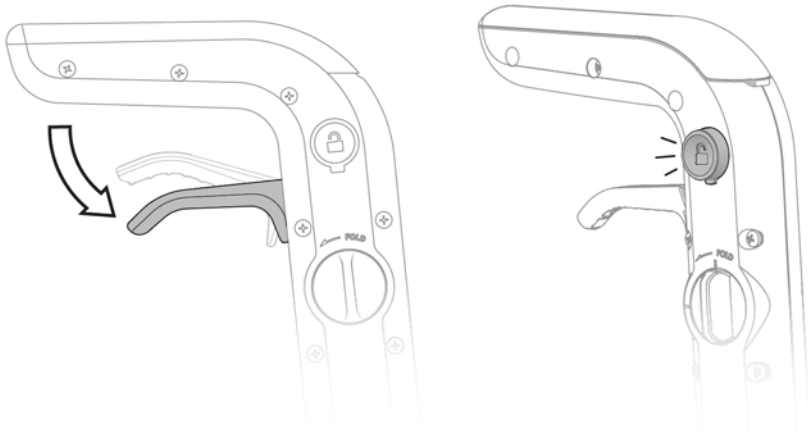
Squeeze both Levers (3) simultaneously and the front legs of the device will automatically drop down to the surface. Before releasing the Levers, check that the Cam-Lok (6) is set to center home position.



### 6.4.8.

Note: The Roami PMA is designed to automatically adjust to terrain, however users can cross-check the relative position of the Cam-Lok at any time using the indicators shown.

---



### 6.4.9

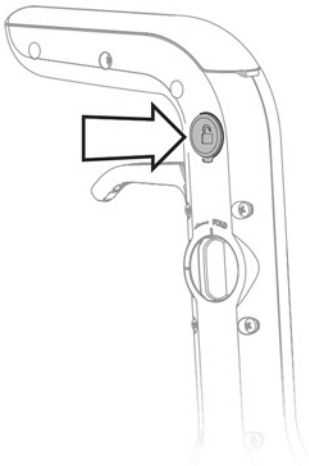
Once the legs have dropped to the floor surface, release the Levers (3) and listen and feel for the Roami to “click” into locked position.

## 6.5 USING ROAMI PMA LIKE A STAIR ASSIST DOWN STAIRS



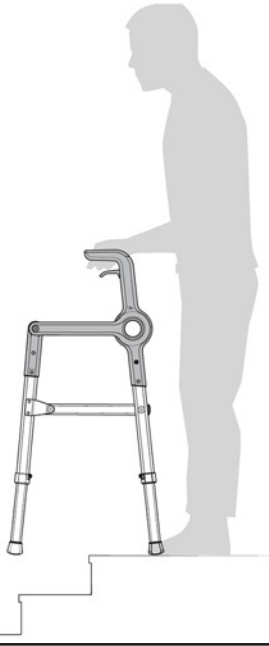
Special precautions are required when using the stair descender function. Read and follow these instructions.

- Consult with your medical provider to make sure that he or she feels this task is appropriate for you.
  - You must have adequate strength and endurance for this activity.
  - Persons prone to dizziness or disorientation should not use this function.
- The Stair climber / descender options are intended to be used on short flights of stairs such as home entryways. Do not use on long flights of stairs such as between floors of a home or building.
- Make sure the Roami PMA is working properly, and that parts are locked into place.
- Have someone help you until you are completely familiar and comfortable with this activity.
- Make sure the wheels are up and locked at all times.
- Before you begin, read and understand all the following instructions and safety messages. Carefully follow steps 6.5.1 thru 6.5.8 as shown below.



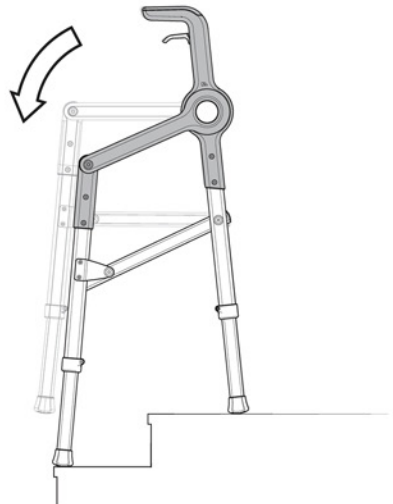
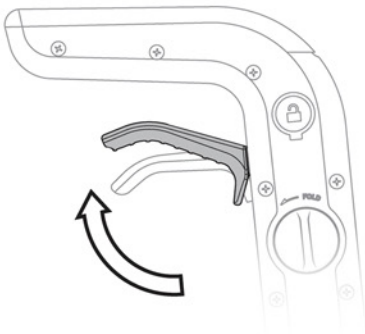
### 6.5.1

Press both Safety Buttons (4) inwards until they engage. Note: The Safety Buttons (4) should stay depressed until the Levers (3) are depressed and released.



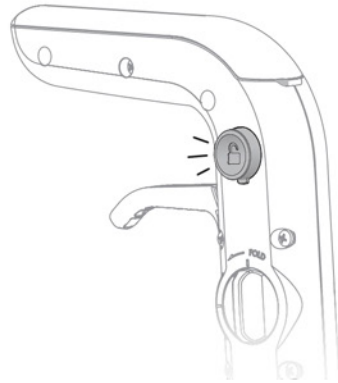
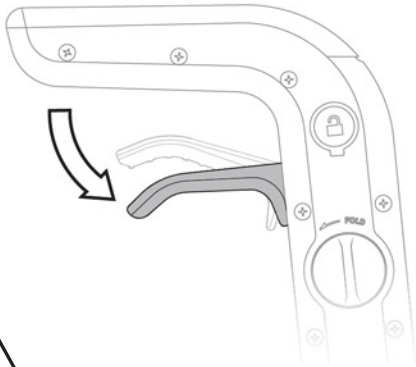
### 6.5.2

At the top of a stairway (or sloping ground), lift the rear feet onto the top step.



### 6.5.3

Grasping the Handles (2), squeeze both Levers (3) simultaneously. The product will drop to the height of the stairs automatically when levers are engaged.

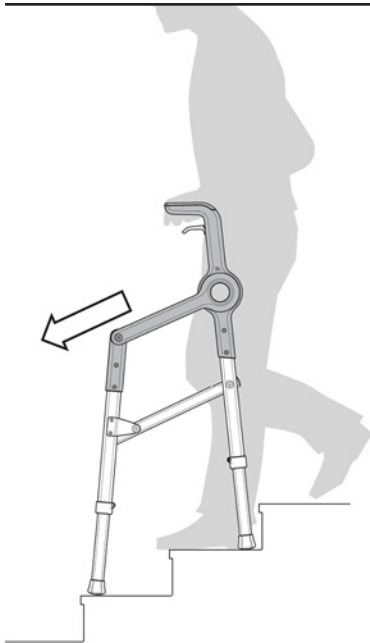


Do not proceed down stairs or slope without insuring Roami PMA is locked.

#### 6.5.4

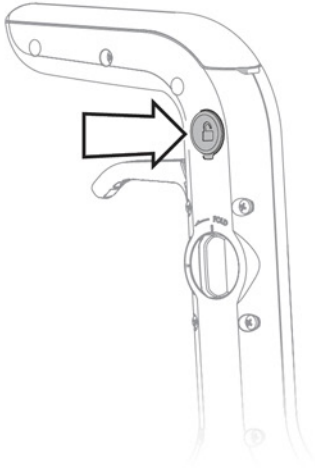
Once the legs have dropped to the stair surface, release the Levers (3) listen and feel for the “click” into locked position. With both hands on handles, ensure that Roami is locked into place.

Note: When proceeding downstairs, start with your stronger leg first.



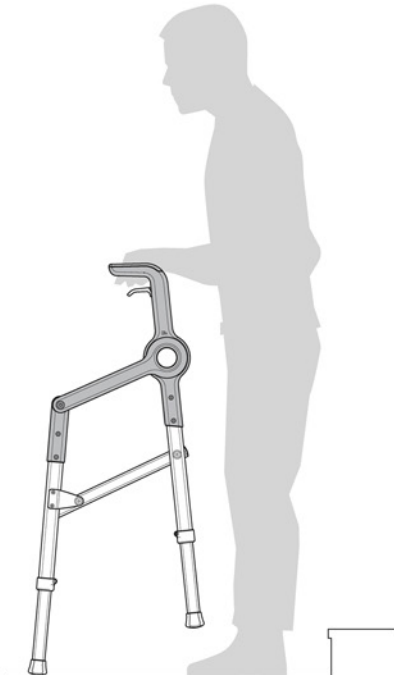
#### 6.5.5

Continue down the stairs or slope with the Roami PMA locked in it's adjusted position.



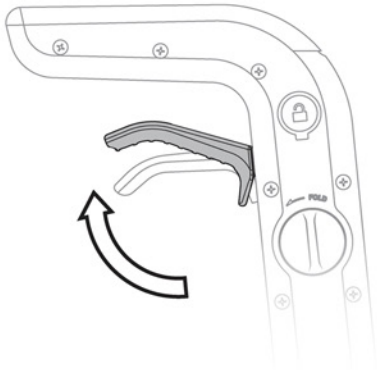
### 6.5.6

Press both Safety Buttons (4) inwards and squeeze the levers simultaneously.



### 6.5.7

Once at the bottom, place the front feet on the lowest surface.

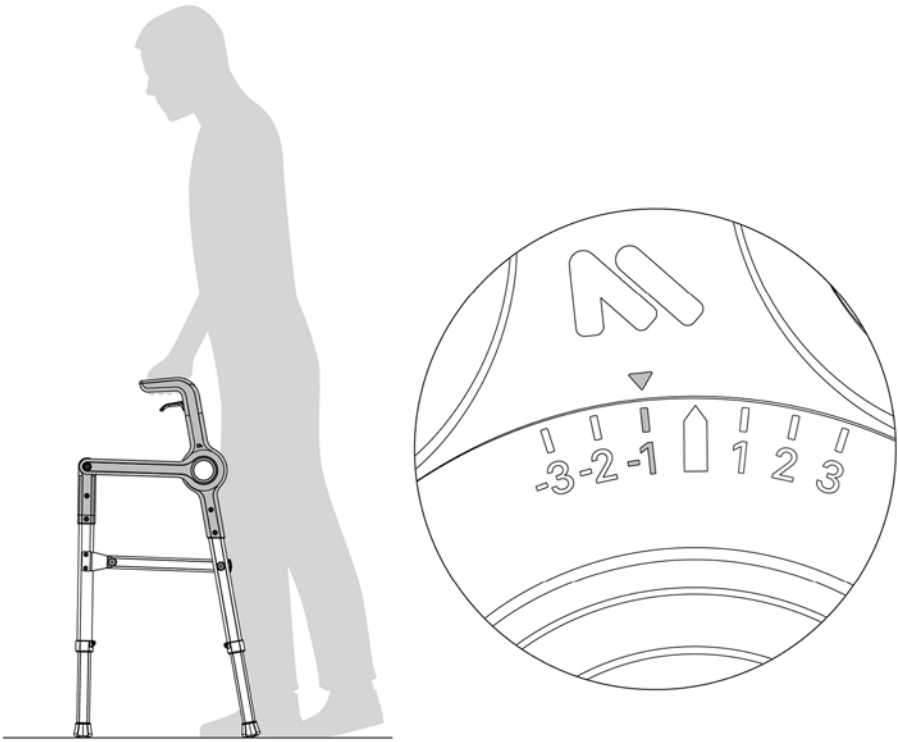


### 6.5.8

Squeeze both Levers (3) simultaneously and the rear legs of the device will automatically drop down to the surface.

Note: Continue walking forward with weaker leg first.

## 6.6 USING YOUR ROAMI PMA TO ALIGN GAIT



### 6.6.1

For users that need help with posture positioning, the Roami PMA can be set to specific angles for improved gait and stability. Use the side indicators on the Cam-Lok to confirm settings. Each marker represents a  $6^\circ$  shift in angle forward or backward.

## 7. MAINTENANCE



**Monthly inspection and maintenance of Roami is necessary for safe and proper use. Failure to do so could result in serious injury or death.**

1. Always inspect the product for damage before use. If any damage is found, DO NOT use the Roami PMA until it is repaired.
2. Weekly, wipe Roami surfaces with a damp cloth and mild detergent (the use of bleach is not recommended). Allow to dry before use. Check all joints and brackets for debris and clean if necessary.
3. Inspect all parts, particularly joints and brackets for loosening, corrosion, deformation, wear, or compression. If seen, do not use the Roami PMA and contact the manufacturer for service/repair at [technicalsupport@mobilateus.com](mailto:technicalsupport@mobilateus.com)
4. If Grip Feet (14A) are worn or cracked, replace with a new leg assembly (See Section 11. Replacement Parts).
5. Roami PMA Handle Grips (2) should be removed for weekly cleaning. Wash with a mild detergent or place in dishwasher. Allow to dry thoroughly before inserting back on the Roami PMA handles.

## 8. WARRANTY/REPLACEMENTS

Mobilate warrants that its products are free from defects in material or workmanship. Under normal use and following all guidelines defined in this manual, the Roami progressive mobility aid is warranted, from the time the product is received, for a period of 1 year for the frame and 6 months for all accessories and hardware.

Warranty is limited to original purchaser only. Alterations, abuse or failure to provide suggested maintenance voids warranty.

## 9. TECHNICAL SPECIFICATIONS

### Imperial units

Weight Capacity	User Height Range		Floor to Handle Height		Dimensions		Product Weight	Shipping Size	Shipping Weight
	Min	Max	Min	Max	Deployed	Folded			
300 lb	4'11"	6'4"	34"	39"	24 x 20 x 34"	24 x 11 x 36"	11.9 lb	23 x 10 x 31"	16.5 lb

### Metric units

Weight Capacity	User Height Range		Floor to Handle Height		Dimensions		Product Weight	Shipping Size	Shipping Weight
	Min	Max	Min	Max	Deployed	Folded			
136 kg	149.8 cm	193 cm	86.3 cm	99 cm	60 x 51 x 86 cm	60 x 29 x 92 cm	5.4 kg	59 x 26 x 78 cm	7.5 kg

## 10. SUPPORT

For product questions, warranty repairs or replacement, contact:

Email: [technicalsupport@mobileteus.com](mailto:technicalsupport@mobileteus.com)

Telephone: +1.423.651.0137

Additional resources (including instructional video)

Website: [roamiwalkers.com](http://roamiwalkers.com)

Youtube channel: [UCc3gexkF69tGeqR1yulaEcw](https://www.youtube.com/channel/UCc3gexkF69tGeqR1yulaEcw)

## 11. REPLACEMENT PARTS

### Front Leg with Retractable Wheels:

- 100.200 Roami 2 wheel assembly - Rose Gold
- 100.202 Roami 2 wheel assembly - Charcoal Gray
- 100.201 Roami 2 wheel assembly - Red
- 100.203 Roami 2 wheel assembly - Urban Blue

### Back Leg Grip Feet:

- 100.300 Roami back grip foot assembly 2x - Rose Gold
- 100.301 Roami back grip foot assembly 2x - Charcoal Gray
- 100.302 Roami back grip foot assembly 2x - Red
- 100.303 Roami back grip foot assembly 2x - Urban Blue

### Handle Grips:

Removable for cleaning and/or replacement.

- 100.400 Roami handle grips 2x - Charcoal Gray
- 100.401 Roami handle grips 2x - Urban Blue



100.100  
Roami - Rose Gold



100.101  
Roami - Rose Gold  
2 Wheel



100.102  
Roami - Urban Blue



100.103  
Roami - Urban Blue  
2 wheel



100.104  
Warrior - Camo



100.105  
Warrior - Camo  
2 wheel



100.106  
Roami - Charcoal



100.107  
Roami - Charcoal  
2 wheel



100.108  
Roami - Red



100.109  
Roami - Red  
2 wheel

