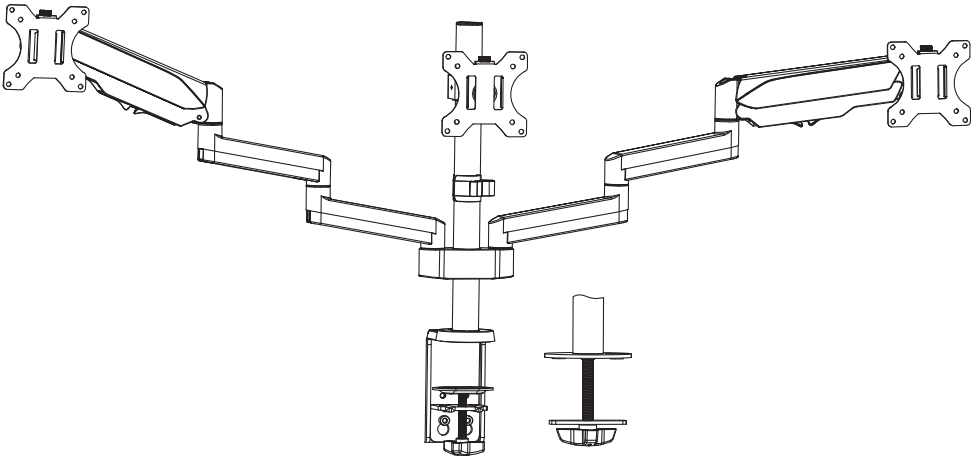


MOUNTUP

Triple Monitor Counterbalance Desk Mount Instruction Manual



MU0006

75x75
100x100

27"

(1~8kg)x3
(2.2~17.6lbs)x3

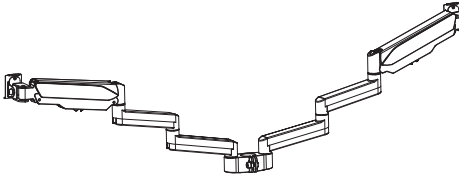
⚠ WARNING!

If you do not understand these instructions or have doubts about the safety of the installation, assembly or use of this product, contact Customer Service via help@jollyholding.com.

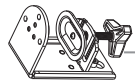
Before starting assembly, verify all parts are included and undamaged. Improper installation may cause damage or serious injury. Do not use this product for any purpose that is not explicitly specified in this manual. Do not exceed weight capacity. We cannot be liable for damage or injury caused by improper mounting, incorrect assembly or inappropriate use.

This product contains small items that could be a choking hazard if swallowed. NOT FOR CHILDREN UNDER 3 YEARS. ADULT SUPERVISION IS REQUIRED.

PACKAGE CONTENTS




A (x1)
Arm




B (x1)
Clamp


All are included in B




Bracket
B1




Clip Plate
B2




Bolt Y
B4




Bottom Plate
B3



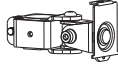
Bolts
B5




C (x1)
Decorative cover




D (x3)
VESA Plate




E (x1)
Middle Head




F (x1)
Pole




G (x1)
Wire clip



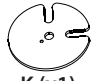
H (x3)
Bolt




I (x3)
Bolt




J (x1)
Support Plate




K (x1)
Grommet Base



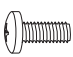
L (x1)
4mm Allen Key



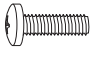
M (x1)
5mm Allen Key



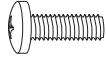
N (x1)
6mm Allen Key



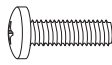
M-A (x12)
M4x12



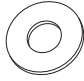
M-B (x12)
M4x16




M-C (x12)
M6x12



M-D (x12)
M6x16



M-E (x12)
D6 Washer



M-F (x12)

NOTE: Not all hardware included will be used.

DO NOT EXCEED WEIGHT CAPACITY.

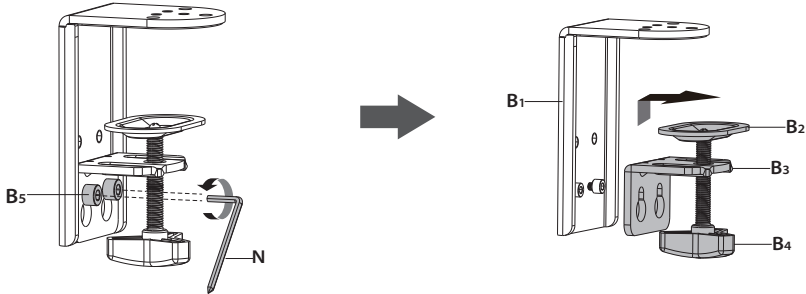
01

ASSEMBLY STEPS

STEP 1: Clamp Installation OR Grommet Base Installation

OPTION A: Clamp Installation

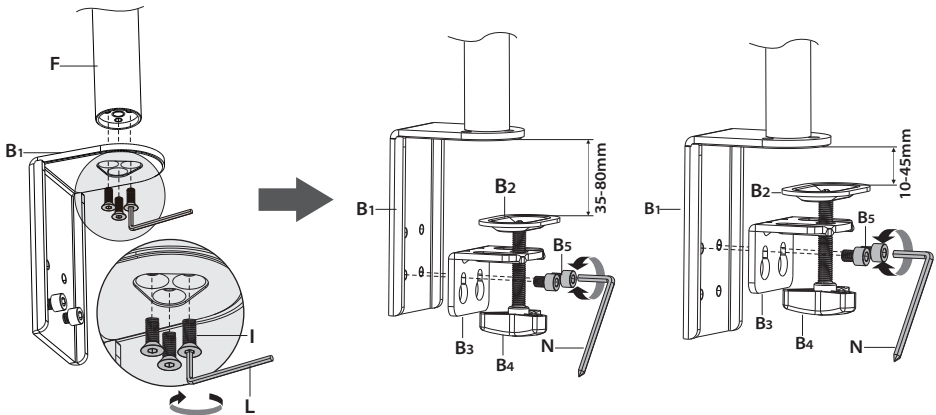
Loosen Bolts (B5) by using 6mm Allen Key (N), then lift clip plate (B2), bottom plate (B3), and bolt Y (B4) a little to release them from bracket (B1).



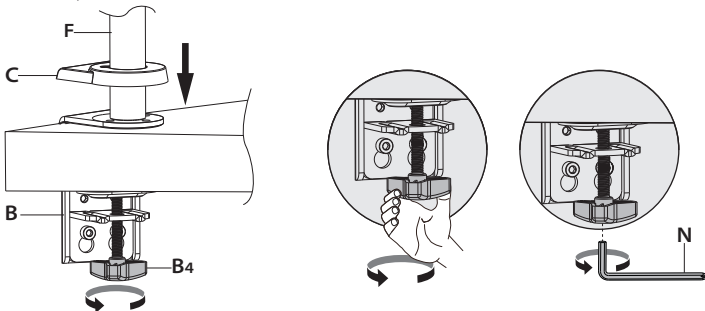
Mount bracket (B1) to pole(F) using bolts (I). Tighten using 4mm allen key(L).

Attach clip plate(B2), bottom plate(B3), bolt Y(B4), to bracket (B1) using bolts (B5) and 6mm allen key (N).

Mount according to the thickness of desktop.



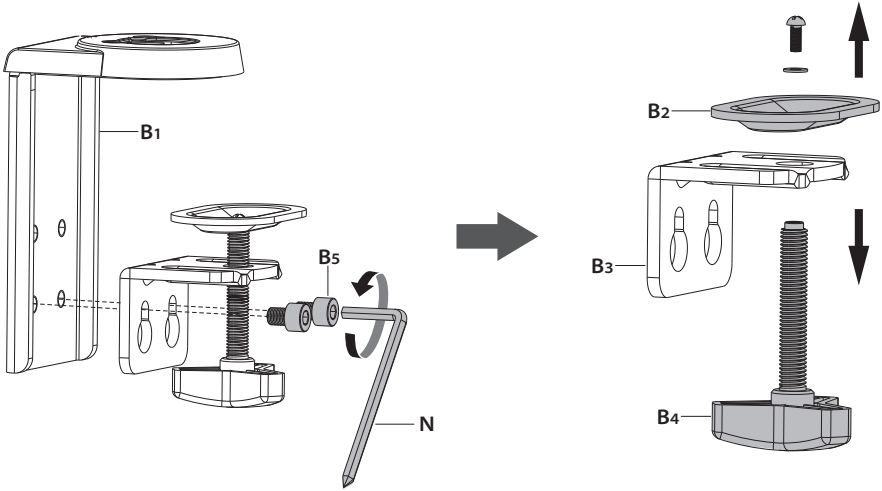
Decorative cover (C) to pole(F) and secure stand to desktop by tightening clamp (B). Tighten bolt Y (B4) or by using 6mm allen key (N).



STEP 1: (Continued)

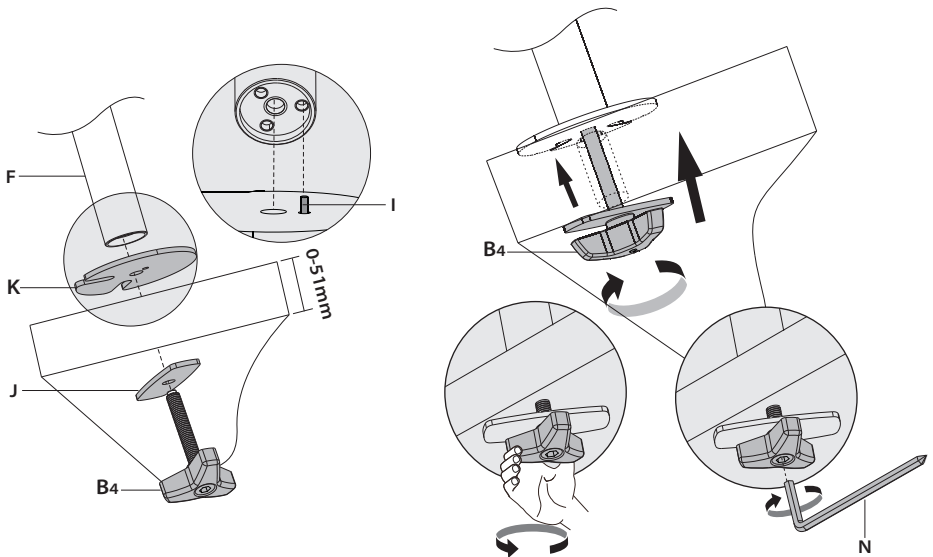
OPTION B: Grommet Base Installation

Use 6mm allen key(N) to detach the bolt(B5), clip plate(B2),bottom plate(B3) and bolt Y(B4) from clamp(B).



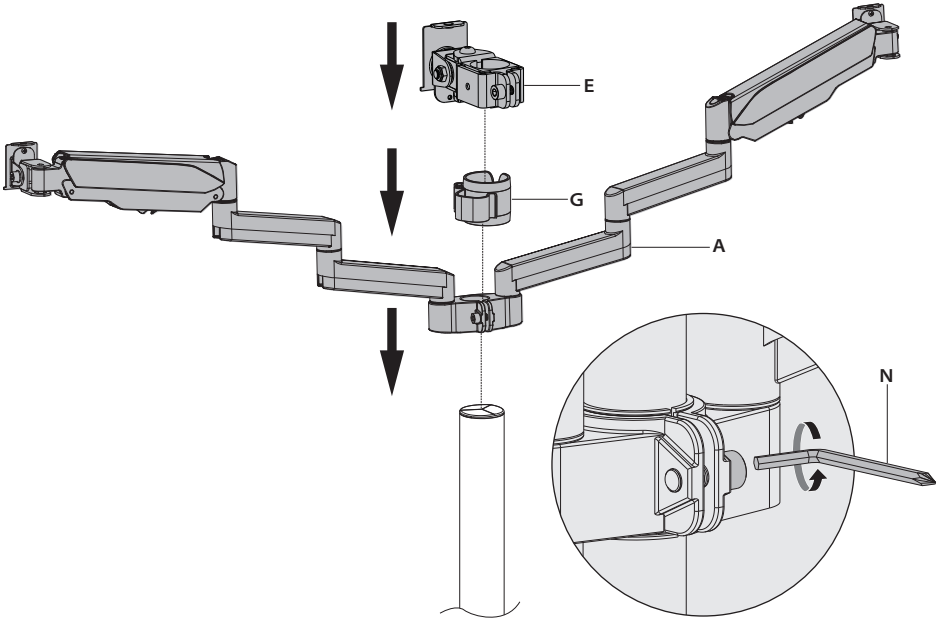
Install the grommet base plate(K) to the pole (F) using bolt (I).

Install pole(F) with bolt Y(B4) and support plate(J). Tighten bolt Y (B4) or by using 6mm allen key (N).



STEP 2 : Arm Installation

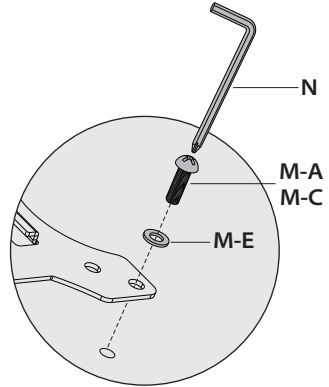
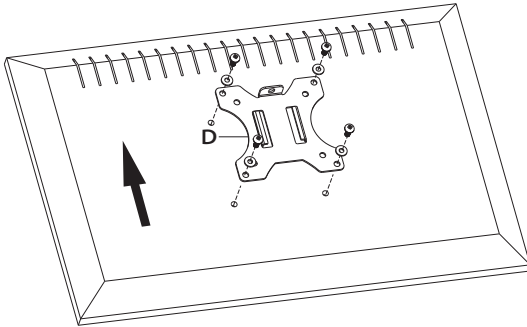
Install the middle head(E), wire clip(G) and swivel arm(A) to the pole.
Fasten the bolt with supplied 6mm Allen key (N)



STEP 3 : Attach Monitor

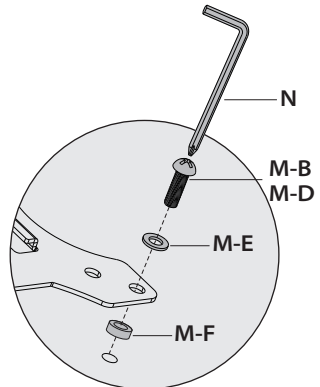
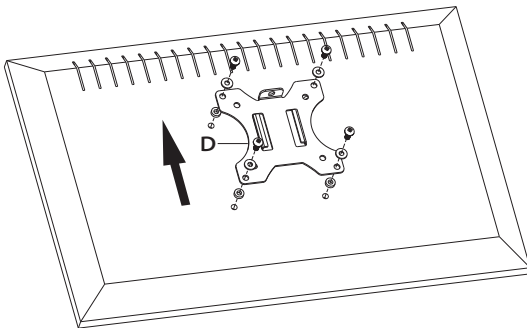
OPTION A: Flat Back Monitor

Attach the VESA plate (D) to back of monitor and secure with screws(M-A)or(M-C) with washers(M-E) using 6 mm Allen Key (N). Avoid excessive tightening screws damage the monitor.



OPTION B: Curved Back Monitor

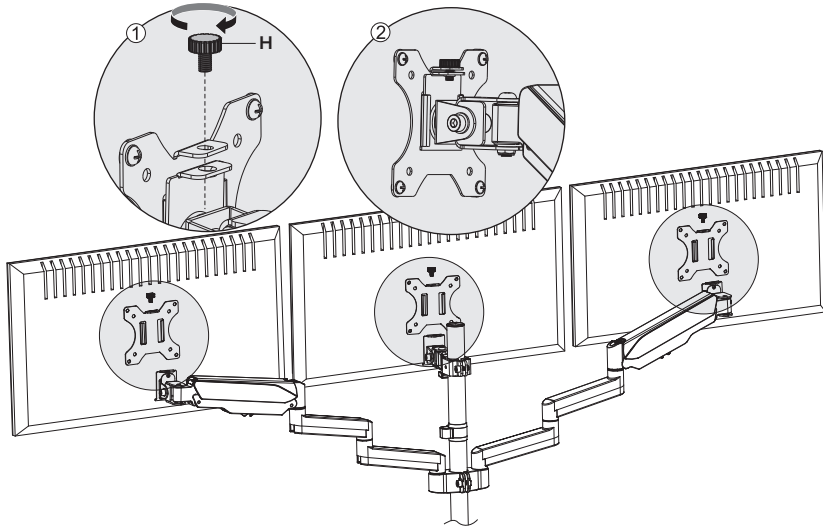
Attach the VESA plate (D) to back of monitor and secure with screws (M-B) or (M-D) with washers (M-E) and washers(M-F)using 6 mm Allen Key (N). Avoid excessive tightening screws damage the monitor.



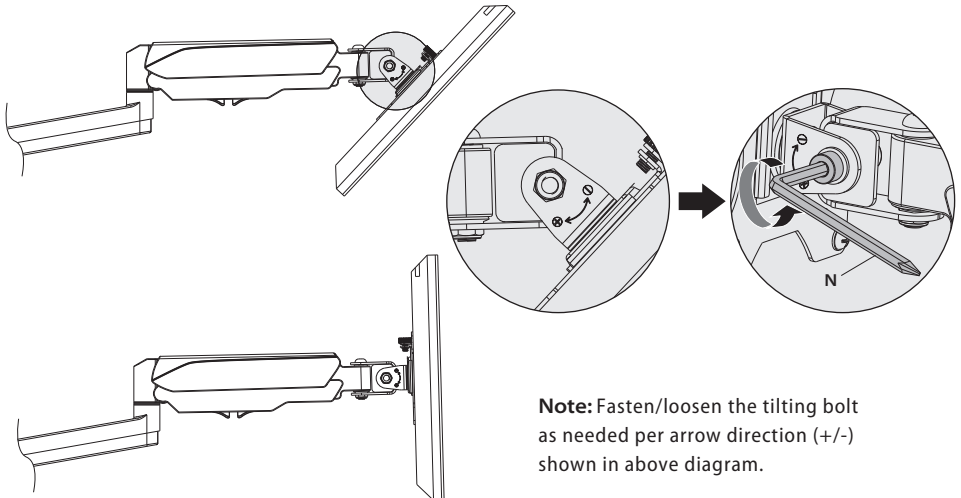
NOTE: Hand tighten screws to avoid over tightening.

STEP 4 : Hang Monitor

Slide the monitors onto the head of swivel arm. Install the security bolt (H). Make sure the security bolt is installed before you rotate the monitor.



Refer to below illustrations to adjust tilting angle of your monitor.



Note: Fasten/loosen the tilting bolt as needed per arrow direction (+/-) shown in above diagram.

STEP 5 : Adjust Tension

For proper functioning of this mount, depending on different weight of monitor you might need to adjust tension in gas spring arm (A) using 6 mm Allen Key (N).

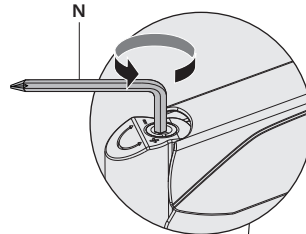
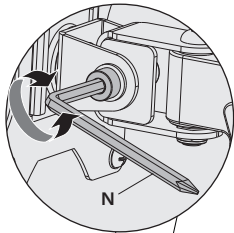
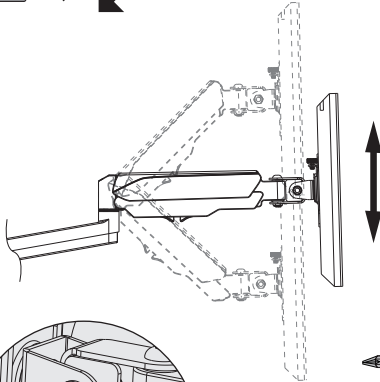


Clockwise ("-" direction) reduces tension, counter clockwise("+" direction) increase tension. The tension should be just enough to hold your monitor in place without lifting itself up.

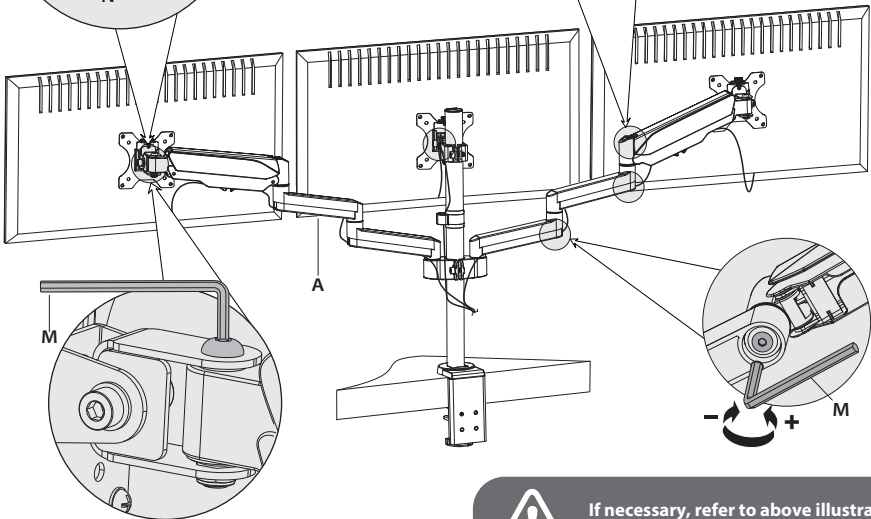



CAUTION

Note: When tilted, if the monitor sags or does not stay, please fasten the tilting bolt on the mount until the monitor can be held at any angle as needed



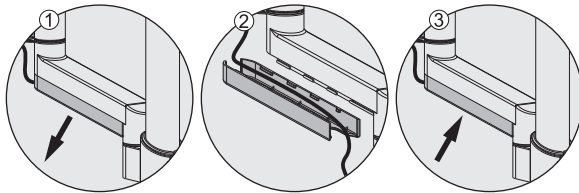
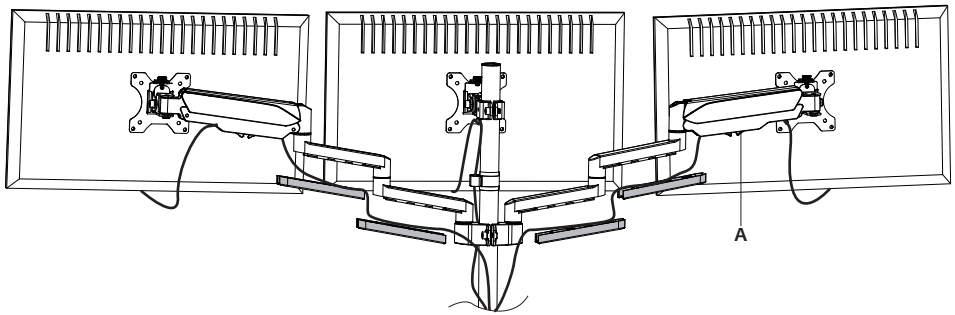
Note: Be sure to keep the arm in horizontal position during adjustment. Or else it would be difficult to adjust the mount or damage the mount.



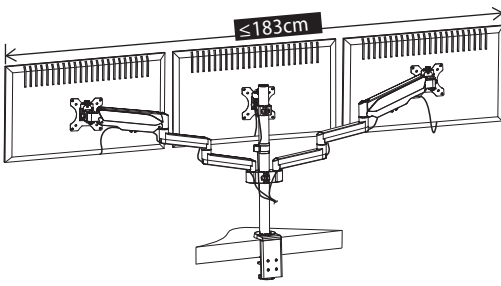
 If necessary, refer to above illustrations to adjust the level of tightness of the arms.

STEP 6 : Cable Management

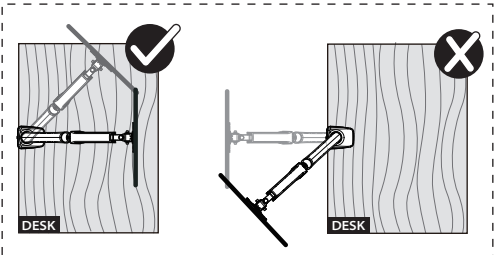
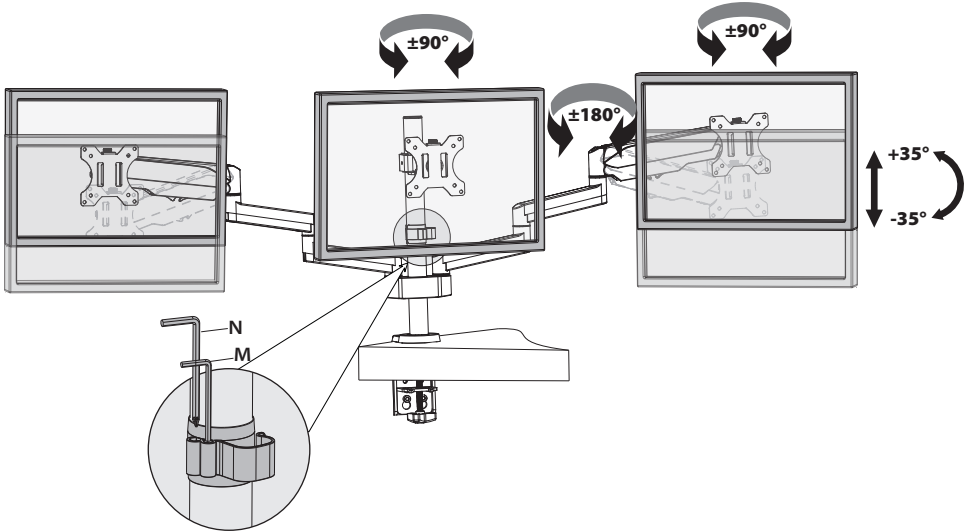
Remove bottom plastic covers from gas spring arm (A) .Run cables from monitor through bottom of gas spring arm (A). Reattach plastic covers as shown in diagram.



Adjust as Desired

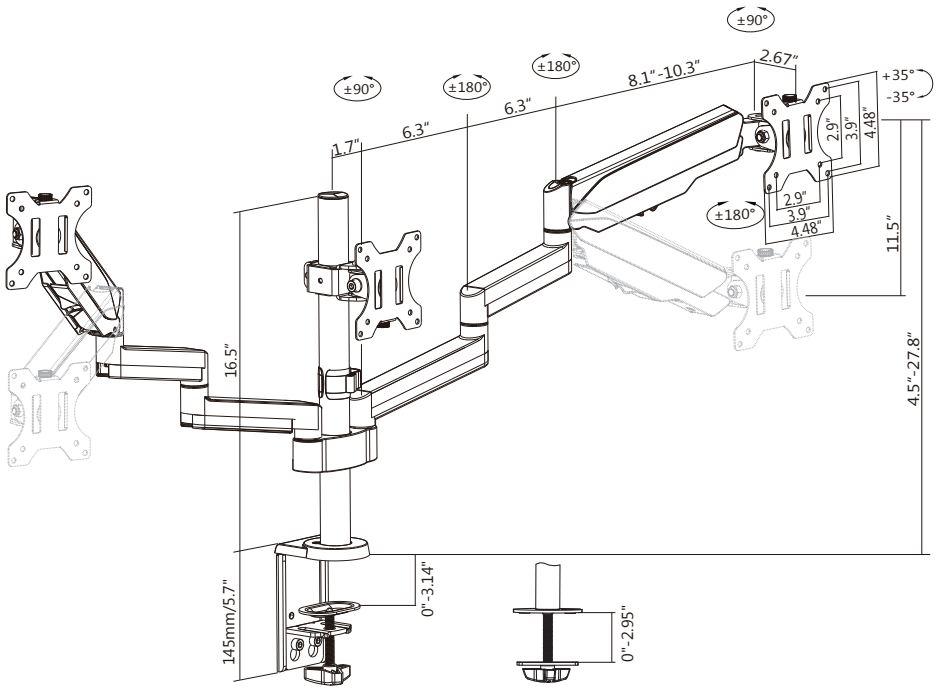


Note: The total length of 3 monitors after arrayed can not be longer than 183cm.



Pay attention while clamp install !

Product Dimensions





CAUTION AND MAINTENANCE:

- Never allow children to climb, stand, hang, or play on any part of monitor or stand.
- This product is intended for indoor use only. Using this product outdoors could lead to product failure and personal injury.
- Check that the bracket is secure and safe to use at regular intervals (at least every three months).

MOUNTUP

If you have any questions, please contact us.



help@jollyholding.com