

# **USER MANUAL**

## **C1**

### **Clip-on Battery Operated Fan**

\*\*\* We stand behind our products and always here to help. If you have any question, please feel free to contact us via [Amazon Buyer-Seller Messaging](#).



**CHOKING HAZARD – Small parts. Not for children under 3 years.**

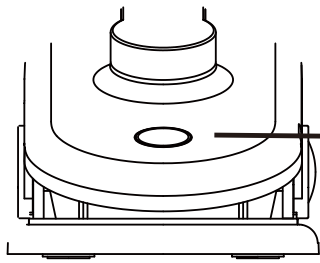
Please don't put your finger into the protective cover to avoid being damaged and breaking down the machine. Children under the age of 10, please use under adult supervision.



In order to avoid injury, please read the user manual carefully before using and operate strictly according to the instruction.

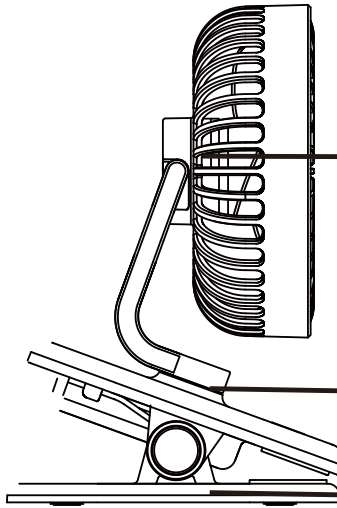
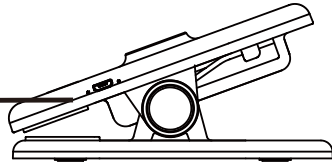
## **Attention:**

1. Do not use this product in humid environment (like bathroom), water may cause product damage.
2. If the fan gets wet, please turn off the power switch and let it dry completely before reuse.
3. Do not knock the product, repeated knocking may cause internal damage.
4. Do not keep on the place of high temperature and high humidity.
5. Do not disassemble, change or repair the product by yourself.
6. Do not throw into fire, to avoid explosion.
7. Do not touch it when the hand with water or liquid.
8. Please keep it out of children's reach.
9. Please use it at 0-40°C



Switch /Wind Speed Control Button

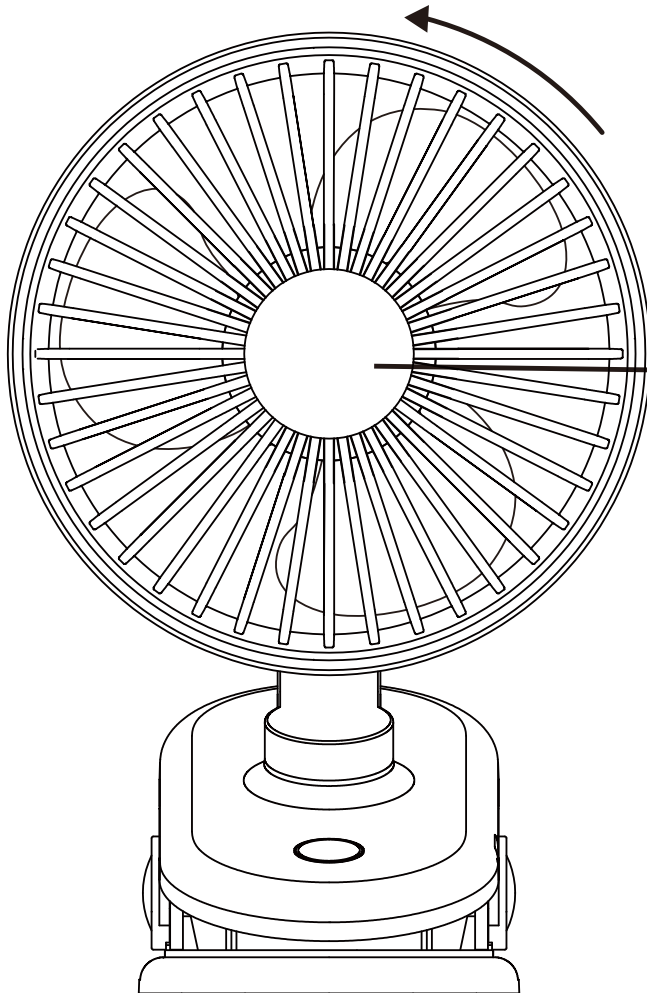
Charging Port  
Indicator Light



90°up and down  
rotation

270°right rotation

Powerful Clip



Removable  
Front Cover

## Operation Instruction

1. Press the button first, turn on the fan, and one speed wind.
2. Press the button again, the second speed wind.
3. Press the button third, the third speed wind.
4. Press the button fourth, the fan will be turned off.
5. Press and hold the button for 3 seconds to turn off the fan at any wind speed.
6. Please use the USB cable included to charge the fan, support computer USB charging port, mobile phone wall harger, power bank, etc.
7. This fan can be powered by USB cable or rechargeable battery.

## Indicator Light Instruction

Green indicator light	Off	Fan is fully charged
	On	Fan is charging
White indicator light	On	Fan is working
	Off	Fan is off

## Specification

Model	C1
Weight	282 g
Dimension	125*201*128 mm
Rate voltage	5V
Rate power	5W
Input/output current	1A
Working time	2-5.5H(depend on battery capacity) Low speed: 5.5 hours Medium speed: 3.5 hours high speed: 2 hours

# Trouble Shooting

Situations	Possible reasons	How to solve
Stop working	Battery out of power	Charge the fan until the green indicator light off, and check if the green light is on or if the fan is working when connect the usb cable
Cannot charge/cannot fully charged for long time	Voltage is low	Change the power supply to standard 5V 1A power supply
Abnormal sound	fall or beat	Check if any part falls off due to external force
	Too much dust inside	open the front cover, and clean the dust with wet tissue

## Clean and Maintenance

1. If the fan blade is dirty, you can remove the front cover to clean it with wet tissue. The front cover is washable, but the back cover with motor cannot be immersed in water, please wipe with wet tissue.
2. Do not put the fan into the water for cleaning, to avoid electric leakage.
3. When the fan is not used for a long time, please clean it, put it in the packing box, and store in a cool, ventilated and dry environment to avoid being affected by moisture.

## Packing List

Accessories	Q'ty
Micro USB charging cable	1
C1 clip-on fan	1
User Manual	1