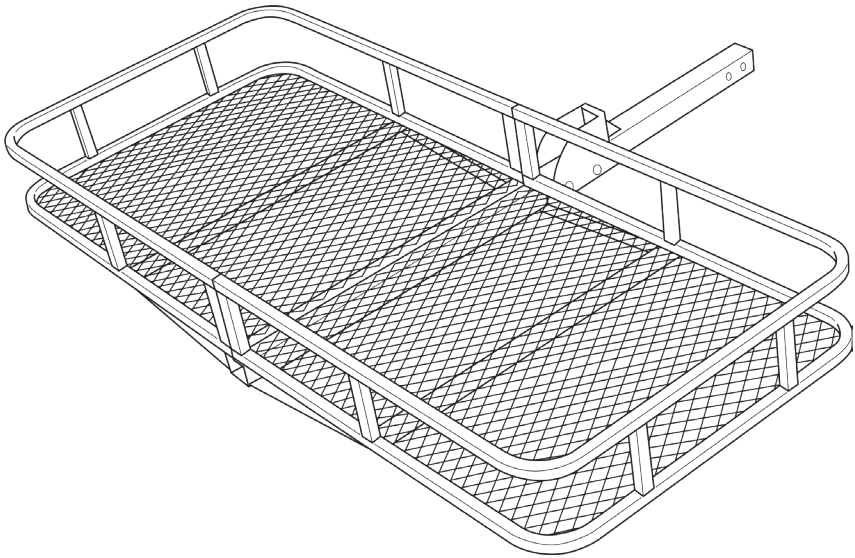




60" Folding Cargo Carrier

OWNER'S MANUAL



WARNING:

Manufacturer and seller expressly disclaim any and all liability for personal injury, property damage or loss, whether direct, indirect, or incidental, resulting from the incorrect attachment, improper use, inadequate maintenance, unapproved modification, or neglect of this product.

Item# 002-AU-20435

Thank you for purchasing our product.

This manual covers operation and maintenance information about the product. Read carefully and understand all instruction before using the product.

All information in this publication is based on the latest product information available at the time of approval for printing.

We reserve the right to make changes at any time without notice and without any obligation.

Table of Contents

Warning and Precaution -----	03
Product Specification -----	03
Package Content -----	04
Assembly Instruction -----	05
User Instruction -----	09

READ ALL INSTRUCTION BEFORE USE

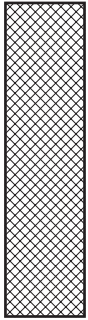
- Inspect the product before use. Do not use if damaged or with missing parts.
- Do not use the product for anything other than intended use.
- Do not exceed the maximum load capacity of the hitch rating, vehicle load limit, or 500 lb of total cargo.
- Always distribute the weight on the carrier evenly.
- Ensure the cargo carrier do not block taillight or any vehicle safety equipment.
- Always ensure the loads on the carrier and check frequently.
- Make sure all pins are secured before use.
- Do not carry cargo that is longer or wider than the carrier.
- Do not carry any flammable or combustible items on the carrier.
- Apply reflector on the end of the carrier according to your state, or local vehicle regulation.

SAVE THESE INSTRUCTIONS

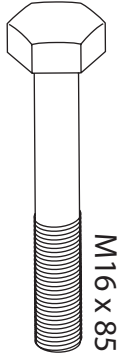
SPECIFICATION

Model Number	002-AU-20435
Inner Basket Dimension	58" x 23" x 6"
Max. Load Capacity	500 lb
Folded Height	31"
Fitting	Fit 2" steel hitch tube

PACKAGE CONTENT



3x



1x



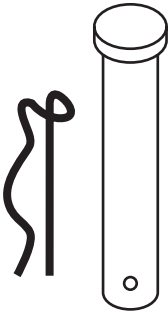
2x



1x



1x



1x



7x



14x



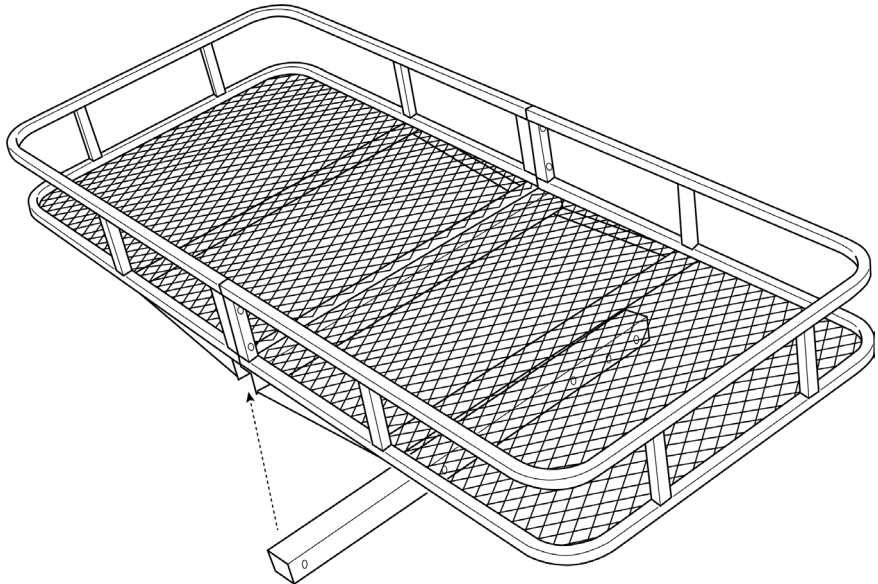
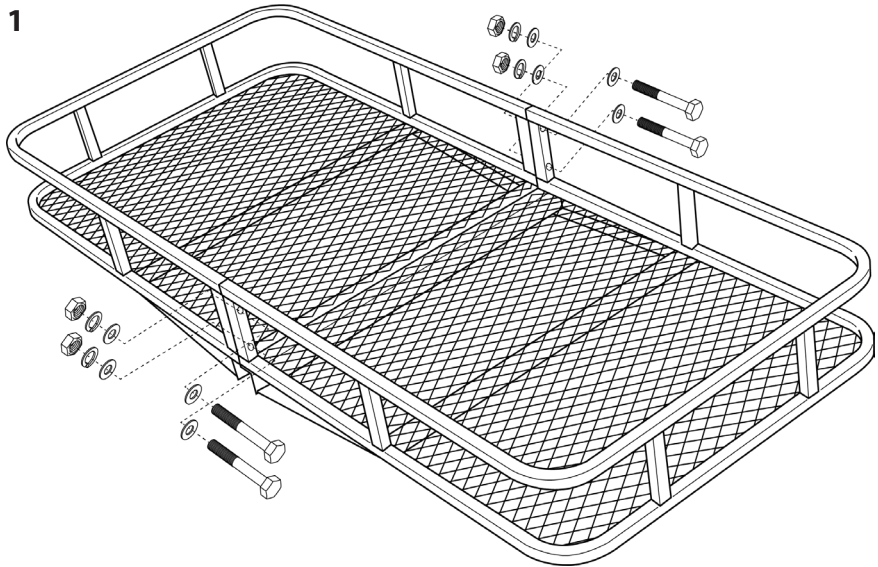
7x



7x

ASSEMBLY INSTRUCTION

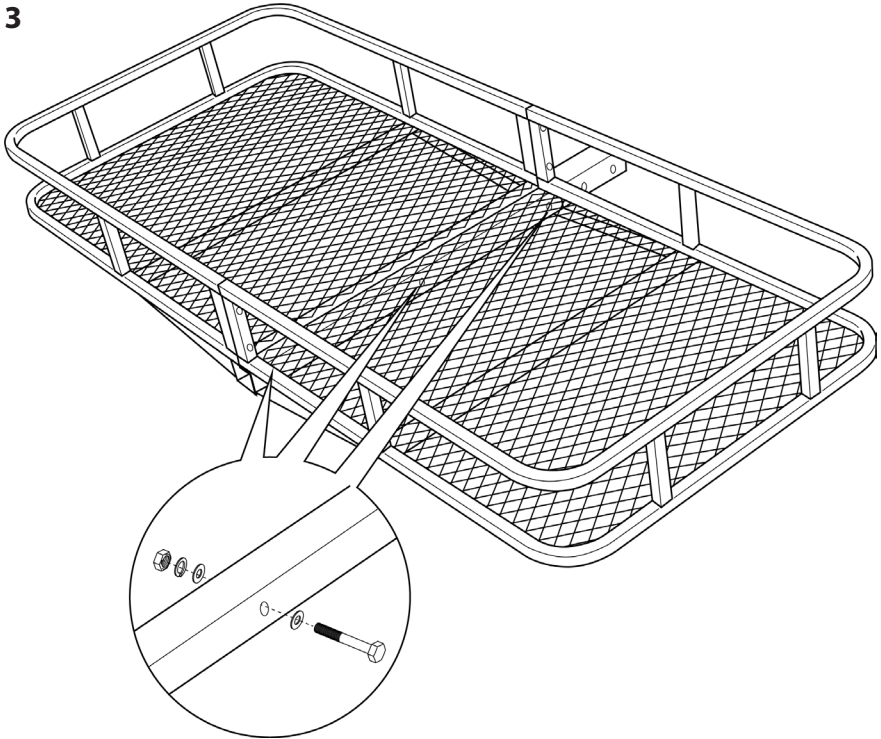
1



5

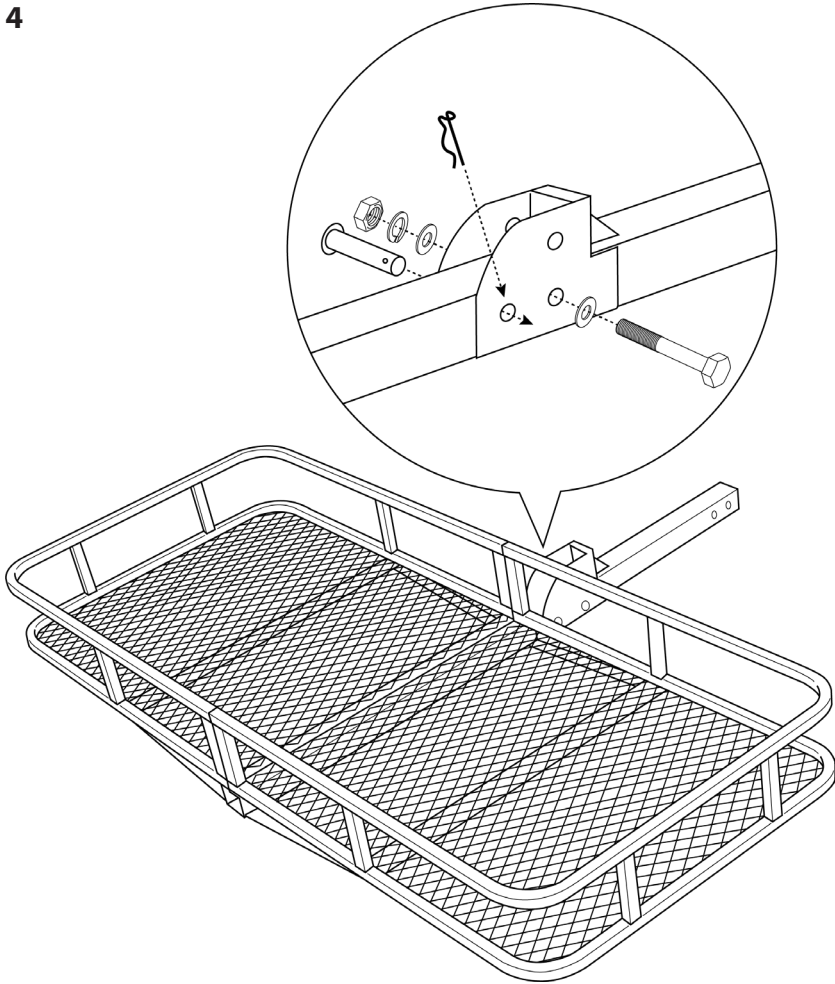
ASSEMBLY INSTRUCTION

3

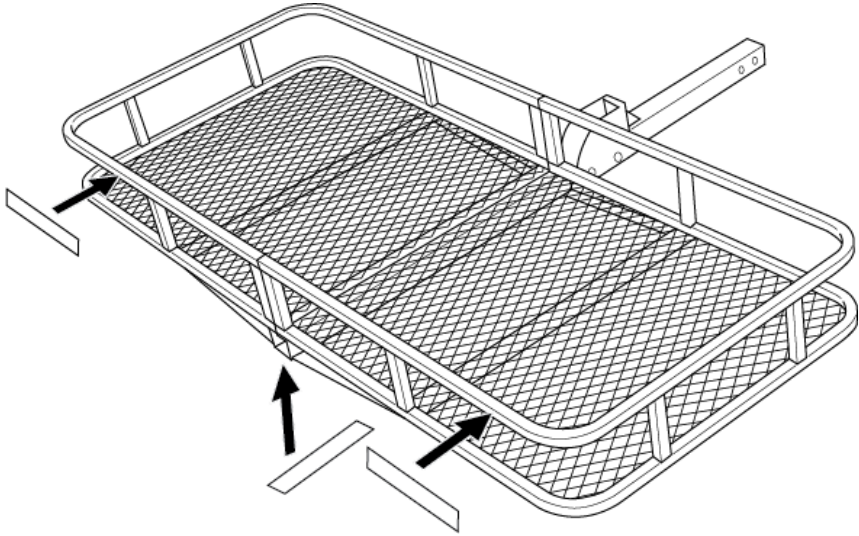


ASSEMBLY INSTRUCTION

4



ASSEMBLY INSTRUCTION



⚠ ATTENTION! Check federal, state, and local vehicle regulation when applying reflector. Make sure the application meets the requirement.

USER INSTRUCTION

FOLDING THE CARRIER

- To fold the carrier, simply remove the pin, fold the carrier up, and then secure the position by replacing the pin

