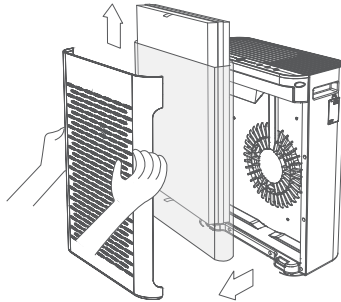


Quick Start Guide

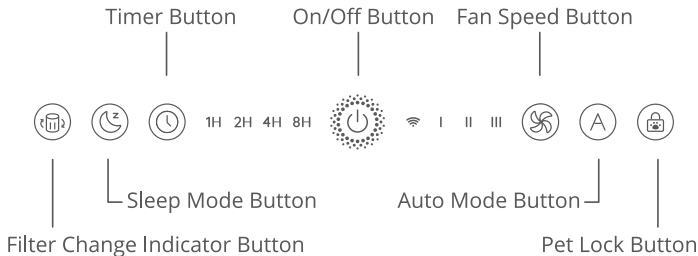
Smart Pet Air Purifier

Caution

Before first use, **ensure** the plastic packaging is removed from the filter.



Controls & Function



Pairing with Govee Home App

1. To download Govee Home App, scan the QR code or search for "Govee" in the Apple App Store® (iOS) or Google Play Store (Android).

Note: Choose "Allow" to the permissions requested when opening Govee Home App for the first time. These permissions allow the app's features to function normally and are not used to record personal, private information.

2. Turn on your smartphone's Bluetooth.

3. Open Govee Home App, tap the "+" icon in the top right corner and search for "H7123".

4. Tap the device icon and follow the in-app instructions to press the Power Button to complete the Bluetooth connection with your phone and connect your device with Govee Home App.

Note: You can use Govee Home App to connect your air purifier to Amazon Alexa or Google Assistant. Follow the in-app instructions to connect to each voice assistant.

